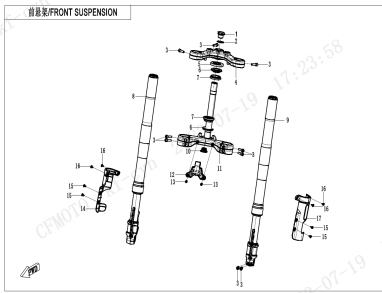
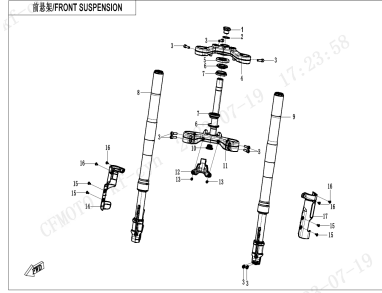
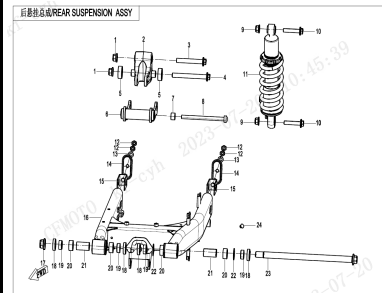
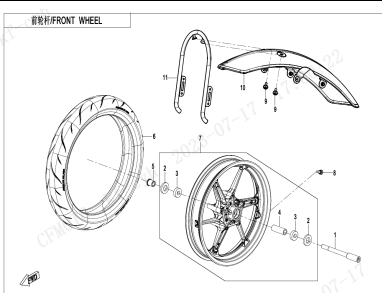
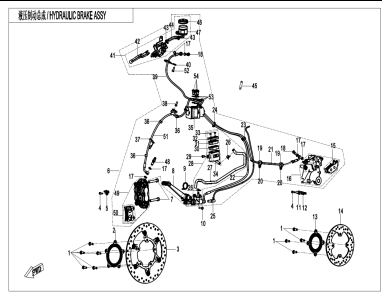
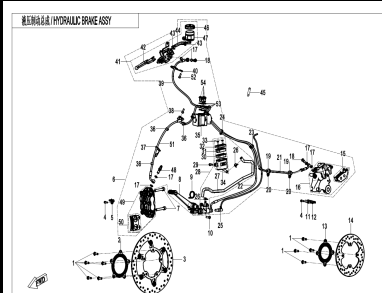
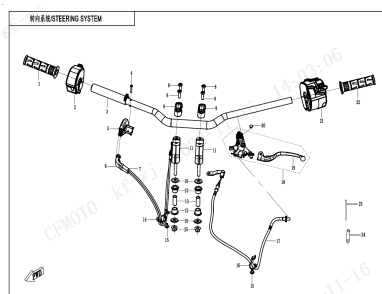
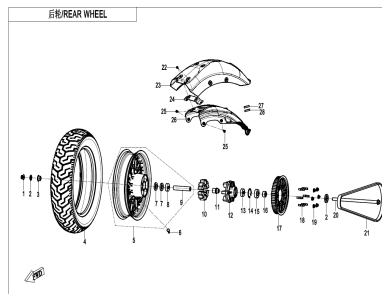
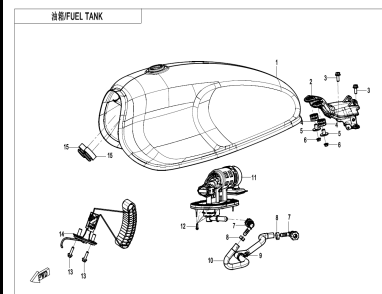
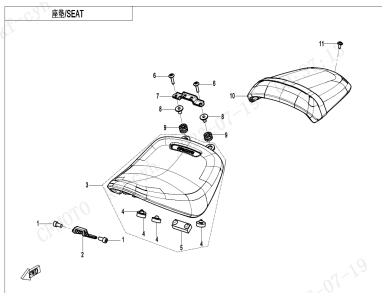
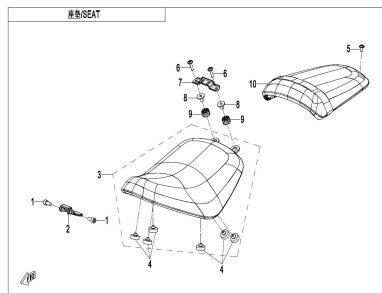
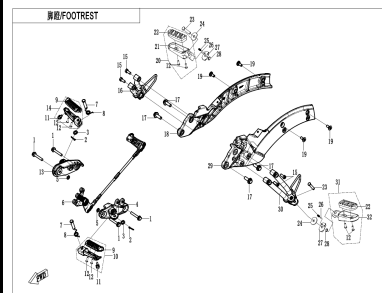


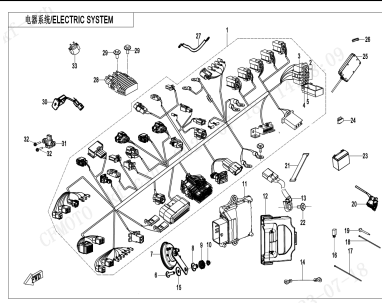
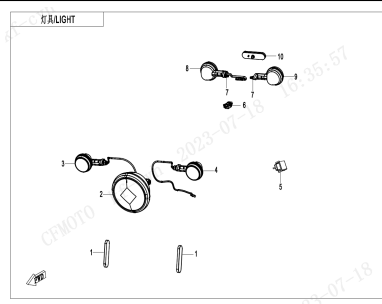
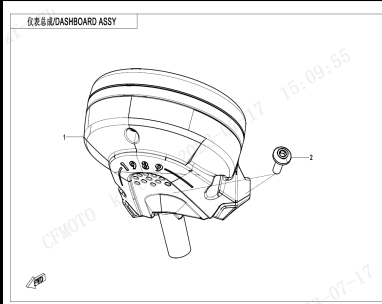
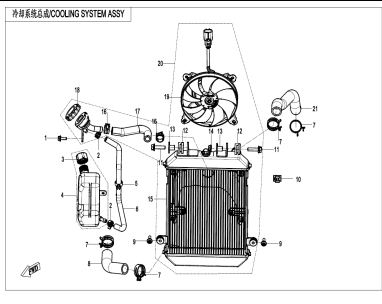
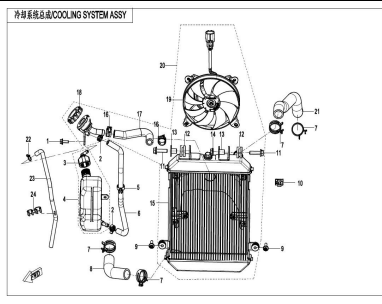

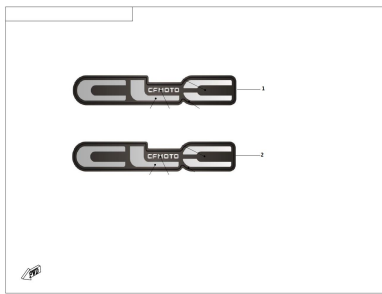

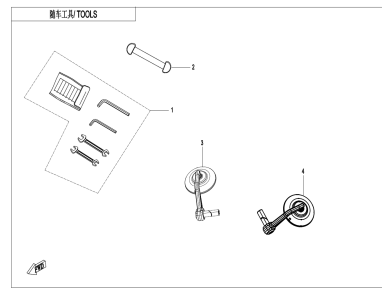
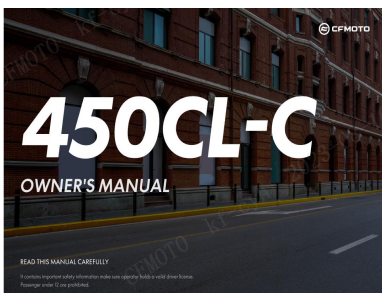
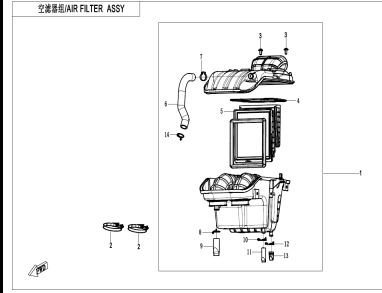
CONTENTS-FRAME GROUP

<p>F01</p> <p style="text-align: center;">LOCK KIT</p>	<p>F02-V1</p> <p style="text-align: center;">MUFFLER</p>	<p>F02-V2</p> <p style="text-align: center;">MUFFLER</p>
<p>F03-1-V1</p> <p style="text-align: center;">FRAME I</p>	<p>F03-1-V2</p> <p style="text-align: center;">FRAME I</p>	<p>F03-2</p> <p style="text-align: center;">FRAME II</p>
<p>F04-1</p> <p style="text-align: center;">PLASTICS I</p>	<p>F04-2</p> <p style="text-align: center;">PLASTICS II</p>	<p>F04-3</p> <p style="text-align: center;">PLASTICS III</p>
<p>F04-4</p> <p style="text-align: center;">PLASTICS IV</p>	<p>F04-5</p> <p style="text-align: center;">PLASTICS V</p>	<p>F04-7</p> <p style="text-align: center;">PLASTICS VII</p>

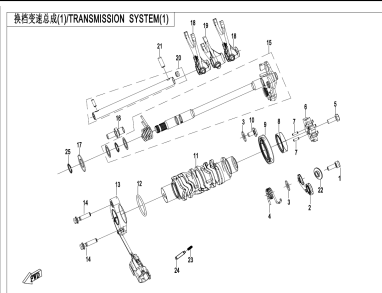
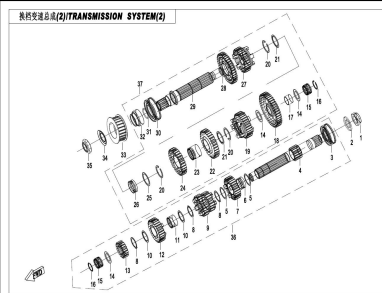
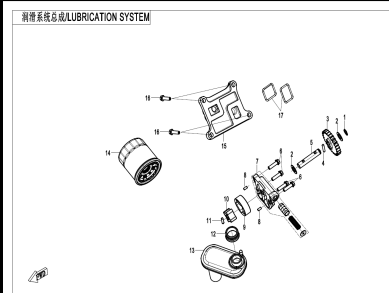
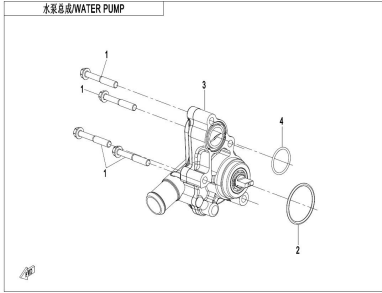
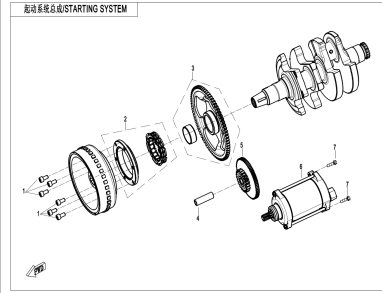
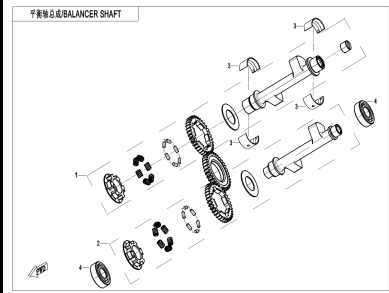
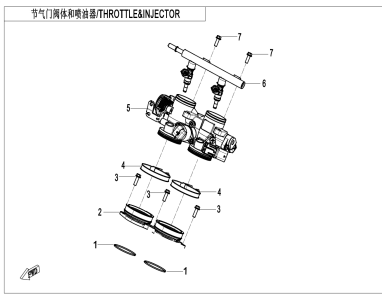
CONTENTS—FRAME GROUP

<p>F05-V1</p> <p style="text-align: center;">FRONT SUSPENSION</p> 	<p>F02-V1</p> <p style="text-align: center;">MUFFLER</p> 	<p>F06</p> <p style="text-align: center;">REAR SUSPENSION</p> 
<p>F07</p> <p style="text-align: center;">FRONT WHEEL</p> 	<p>F03-1-V2</p> <p style="text-align: center;">FRAME I</p> 	<p>F08-V2</p> <p style="text-align: center;">MAB BRAKE ASSY</p> 
<p>F10</p> <p style="text-align: center;">STEERING SYSTEM</p> 	<p>F11</p> <p style="text-align: center;">REAR WHEEL</p> 	<p>F12</p> <p style="text-align: center;">FUEL TANK</p> 
<p>F13-V1</p> <p style="text-align: center;">SEAT</p> 	<p>F13-V2</p> <p style="text-align: center;">SEAT</p> 	<p>F14</p> <p style="text-align: center;">FOOTREST</p> 

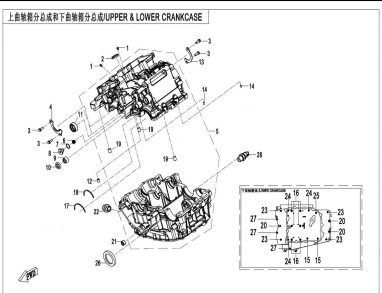
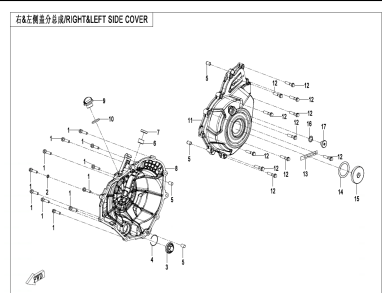
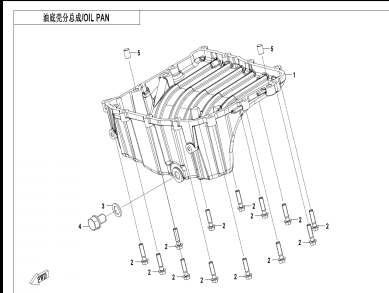
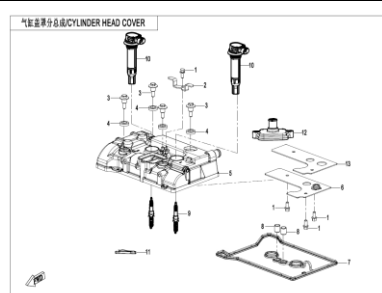
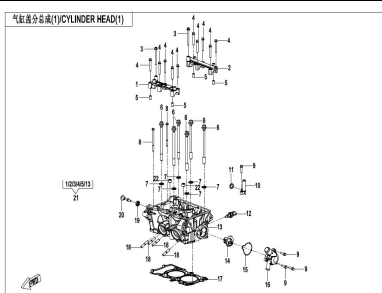
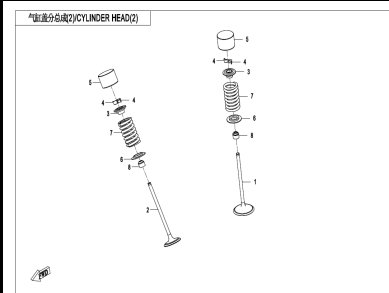
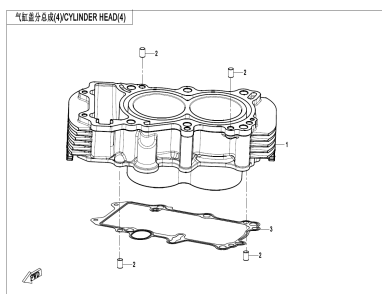
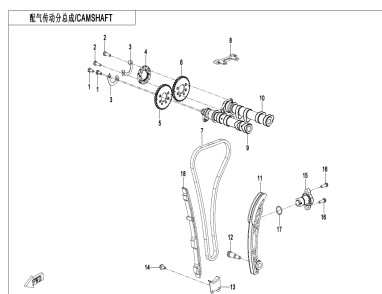
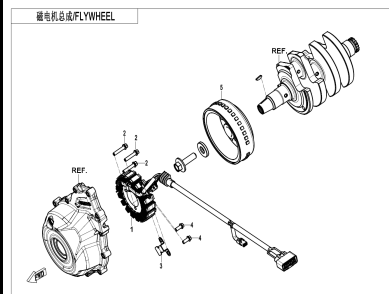
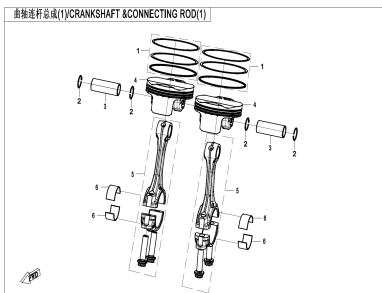
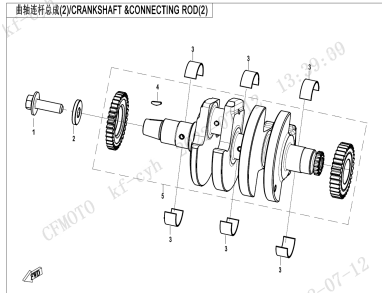
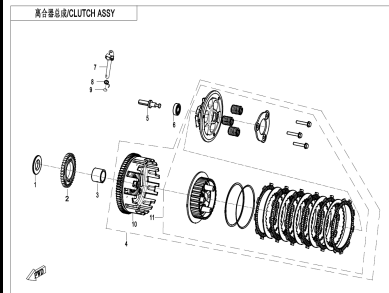
CONTENTS—FRAME GROUP

<p>F15</p> <p style="text-align: center;">ELECTRIC SYSTEM</p> 	<p>F16</p> <p style="text-align: center;">LIGHTS</p> 	<p>F06</p> <p style="text-align: center;">REAR SUSPENSION</p> 
<p>F18-V1</p> <p style="text-align: center;">COOLING SYSTEM</p> 	<p>F18-V2</p> <p style="text-align: center;">COOLING SYSTEM</p> 	<p>F19-1</p> <p style="text-align: center;">WARNING DECAL</p> <div style="border: 1px solid black; padding: 5px;"> <p>WARNING</p> <p>Failure to follow these instructions may result in serious injury or death.</p> <ul style="list-style-type: none"> ● Read the Owner's Manual carefully before riding. Do not attempt to do any improper modification or customization to the vehicle. ● Always wear helmet and protective gear. ● Use unleaded gasoline of 95 Octane or above. ● Do not touch muffler, radiator and engine when hot. Do not touch rotating parts such as wheels during running. ● Drive according to road conditions. Slow down in poor visibility and on slippery road surfaces. ● Have your vehicle serviced or adjusted regularly, especially the drive chain. ● Do not run the engine at idle for a prolonged period. ● Always start driving at the 1st gear. ● Shut off the engine when the oil pressure indicator lights on. <p style="text-align: right;">CFMOTO READ THIS MANUAL CAREFULLY</p> </div> <div style="margin-top: 10px;">  </div>
<p>F19-2</p> <p style="text-align: center;">FUEL TANK LABEL</p> 	<p>F19-3</p> <p style="text-align: center;">MODEL DECAL</p> <p style="text-align: center;">工件：左、右护板，外贴 颜色：星光黑 材质：ABS</p> <p style="text-align: center;">刀模线尺寸44×8 整模线尺寸46×10</p> 	<p>F19-4</p> <p style="text-align: center;">NOISE LABEL (AUSTRALIA)</p> <div style="border: 1px solid black; padding: 5px;"> <p style="text-align: center;">6AQ4-190016-7300</p> <p style="text-align: center;">CFMOTO CF400-10F</p> <p style="text-align: center;">STATIONARY NOISE TEST INFORMATION:</p> <p style="text-align: center;">Tested 93 dB(A) at 4500 rpm Silencing System: CFMOTO Identification: 6AQ4-MUF-00 R41-2333-23-00</p> </div>
<p>F20</p> <p style="text-align: center;">TOOLS</p> 	<p>F38-A</p> <p style="text-align: center;">OWNERS MANUAL</p> 	<p>F41</p> <p style="text-align: center;">AIR FILTER</p> 

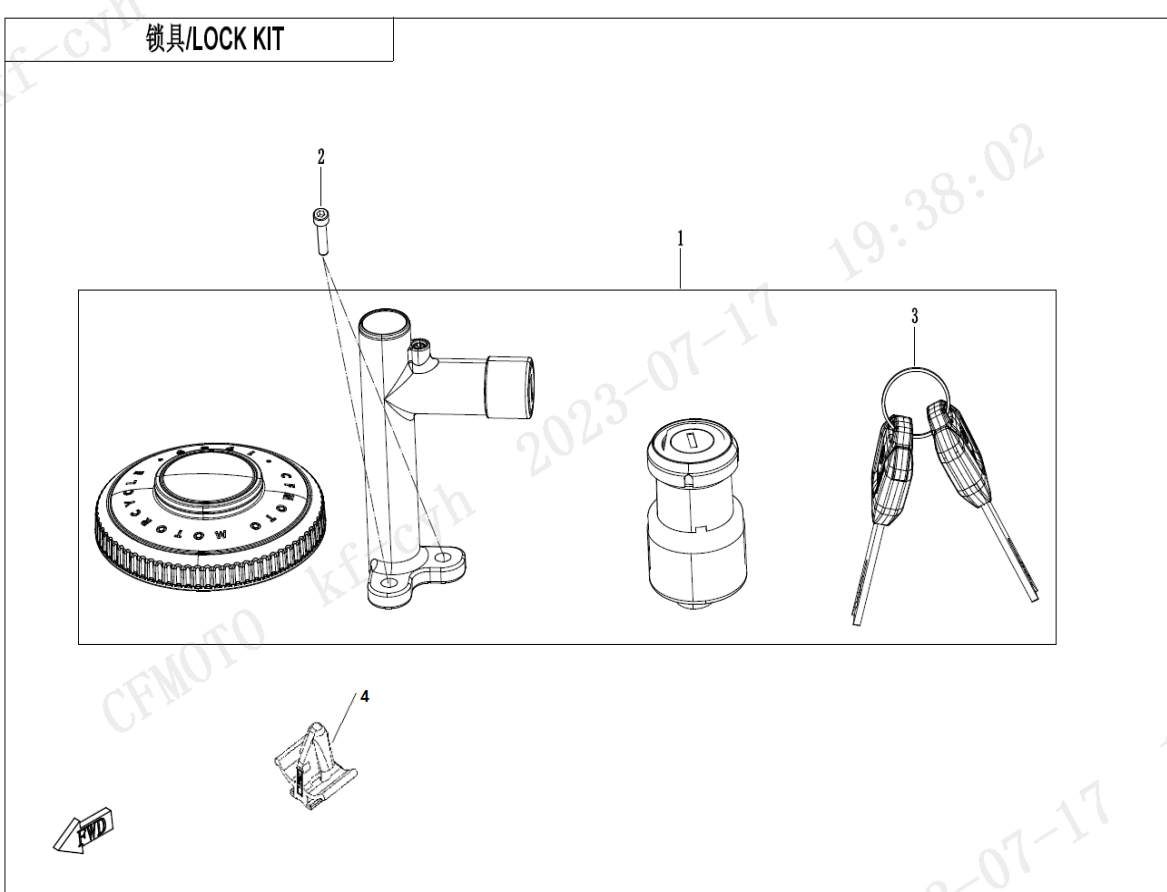
CONTENTS—ENGINE GROUP

F41	E06-2	E07
AIR FILTER	TRANSMISSION SYSTEM (2)	OIL PUMP
<div style="border: 1px solid black; padding: 5px;"> <p style="font-size: small; margin: 0;">换挡变速总成(1)/TRANSMISSION SYSTEM(1)</p>  </div>	<div style="border: 1px solid black; padding: 5px;"> <p style="font-size: small; margin: 0;">换挡变速总成(2)/TRANSMISSION SYSTEM(2)</p>  </div>	<div style="border: 1px solid black; padding: 5px;"> <p style="font-size: small; margin: 0;">润滑系统总成/LUBRICATION SYSTEM</p>  </div>
E08	E09	E16
WATER PUMP	STARTING SYSTEM	BALANCER SHAFT
<div style="border: 1px solid black; padding: 5px;"> <p style="font-size: small; margin: 0;">水泵总成/WATER PUMP</p>  </div>	<div style="border: 1px solid black; padding: 5px;"> <p style="font-size: small; margin: 0;">启动系统总成/STARTING SYSTEM</p>  </div>	<div style="border: 1px solid black; padding: 5px;"> <p style="font-size: small; margin: 0;">平衡轴总成/BALANCER SHAFT</p>  </div>
E17		
THROTTLE&INJECTOR		
<div style="border: 1px solid black; padding: 5px;"> <p style="font-size: small; margin: 0;">节气门副体和喷油器/THROTTLE&INJECTOR</p>  </div>		

CONTENTS—ENGINE GROUP

<p>E01-1</p> <p style="text-align: center;">UPPER & LOWER CRANKCASE ASSY</p> <p style="font-size: small;">上册曲轴箱总成和下册曲轴箱总成/UPPER & LOWER CRANKCASE</p> 	<p>E01-2</p> <p style="text-align: center;">LEFT & RIGHT SIDE COVER</p> <p style="font-size: small;">左右侧盖总成/RIGHT/LEFT SIDE COVER</p> 	<p>E01-3</p> <p style="text-align: center;">OIL PAN</p> <p style="font-size: small;">油底壳总成/OIL PAN</p> 
<p>E02-1</p> <p style="text-align: center;">CYLINDER HEAD COVER</p> <p style="font-size: small;">气缸盖罩总成/CYLINDER HEAD COVER</p> 	<p>E02-2</p> <p style="text-align: center;">CYLINDER HEAD (1)</p> <p style="font-size: small;">气缸盖总成(1)/CYLINDER HEAD(1)</p> 	<p>F19-1</p> <p style="text-align: center;">WARNING DECAL</p> <p style="font-size: small;">"缸盖"缸盖总成(2)/CYLINDER HEAD(2)</p> 
<p>E02-4</p> <p style="text-align: center;">CYLINDER HEAD (3)</p> <p style="font-size: small;">气缸盖罩总成(4)/CYLINDER HEAD(4)</p> 	<p>E02-5</p> <p style="text-align: center;">CAMSHAFT</p> <p style="font-size: small;">配气机构总成/CAMSHAFT</p> 	<p>E03</p> <p style="text-align: center;">MAGNETO</p> <p style="font-size: small;">磁电机总成/FLYWHEEL</p> 
<p>E04-1</p> <p style="text-align: center;">CRANKSHAFT & CONNECTING ROD (1)</p> <p style="font-size: small;">曲轴连杆总成(1)/CRANKSHAFT & CONNECTING ROD(1)</p> 	<p>E05-A</p> <p style="text-align: center;">CLUTCH (FCC)</p> <p style="font-size: small;">曲轴连杆总成(2)/CRANKSHAFT & CONNECTING ROD(2)</p> 	<p>E05-A</p> <p style="text-align: center;">CLUTCH (FCC)</p> <p style="font-size: small;">离合器总成/CLUTCH ASSY</p> 

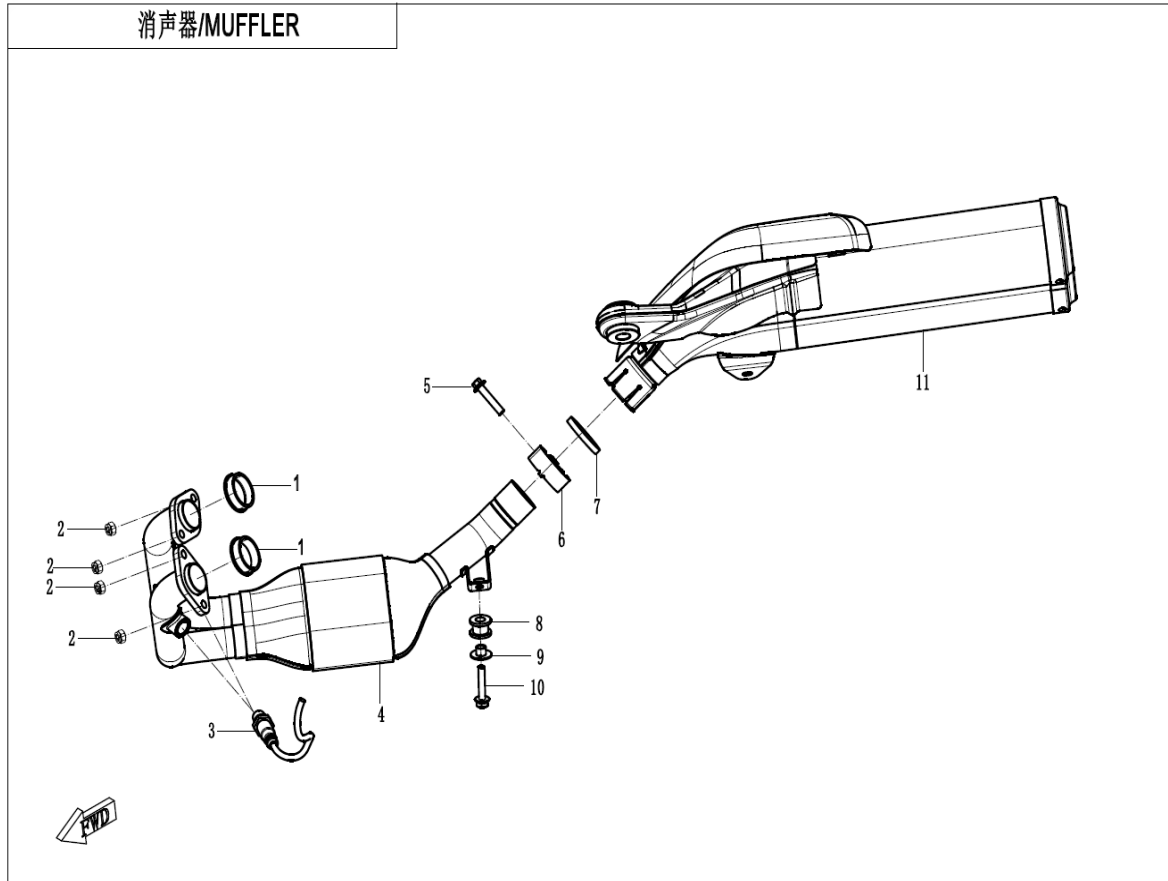
锁具/LOCK KIT



F01 LOCK KIT

Item No.	Parts Number	Parts Name(EN)	Qty	Specification
1	6AQV-011000-7101	LOCK KIT	1	
2	30102-060016870	SCREW	2	M6x16@BLACK ZINC-PLATED
3	6AQV-011020-7100	KEY	2	
4	CFCV-CAC002-2000-M1	CLIP	1	

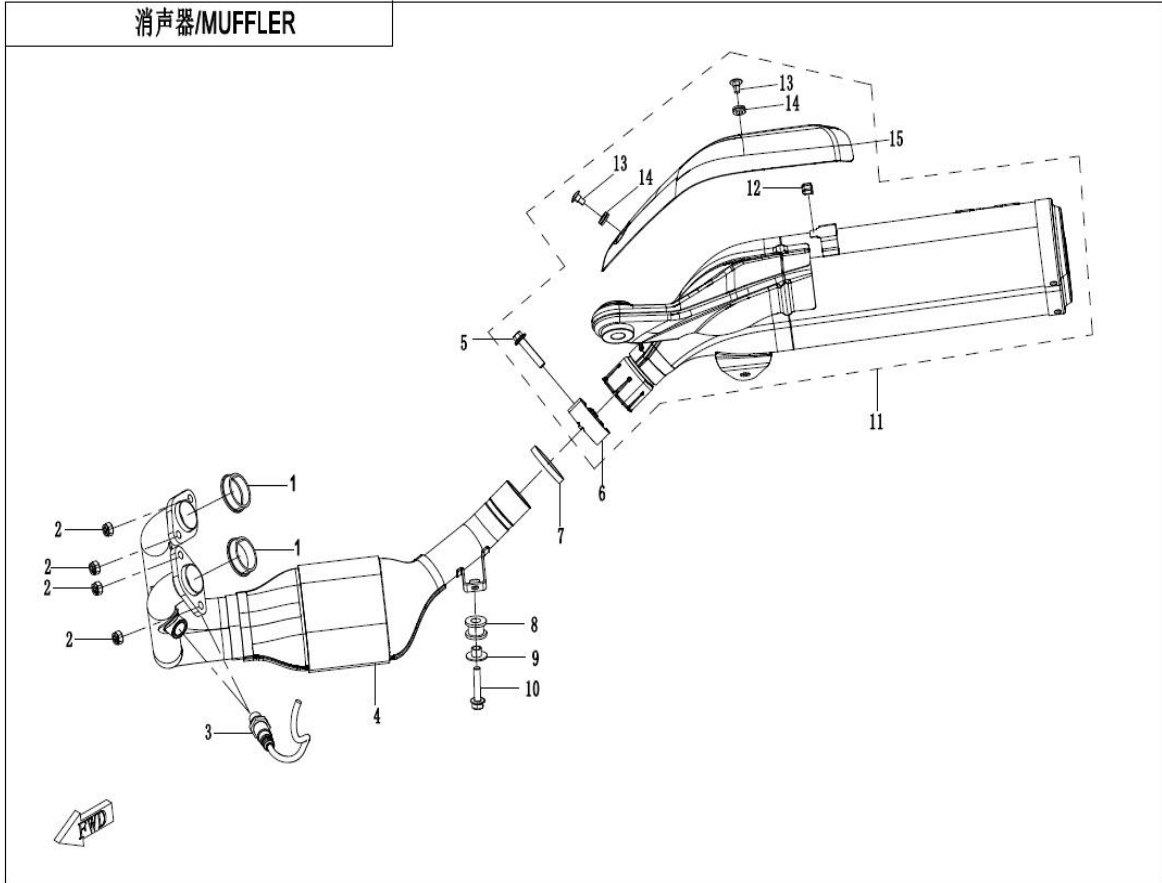
消声器/MUFFLER



F02-V1 MUFFLER

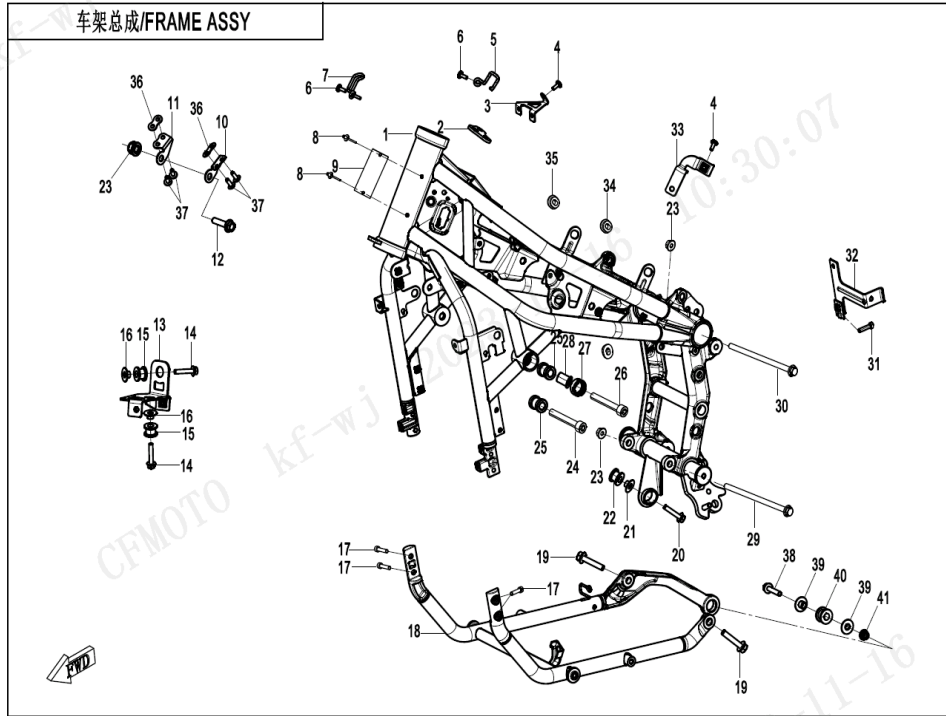
Item No.	Parts Number	Parts Name(EN)	Qty	Specification
1	6090-020010	GEXHAUST PORT GASKET	2	42x33x5
2	6L30-020005	LOCK NUT	4	
3	0HU0-176000	OXYGEN SENSOR	2	
4	6AQV-021100-7100-0D700	EXHAUST PIPE ASSY	1	MATTE BLACK
5	30006-080035810	BOLT	1	M8x35
6	6AQV-021500-1000	CLAMP KIT	1	
7	6AQV-021400-1000	GRAPHITE SEAL BUSHING	1	
8	6KJ0-020003	BUSHING, MUFFLER	1	
9	6KJ0-020004	BUSHING, MUFFLER	1	
10	30006-080040810	BOLT	1	M8x40
11	6AQV-021300-7100-0DN00	MUFFLER ASSY	1	CERAMIC BLACK

消声器/MUFFLER



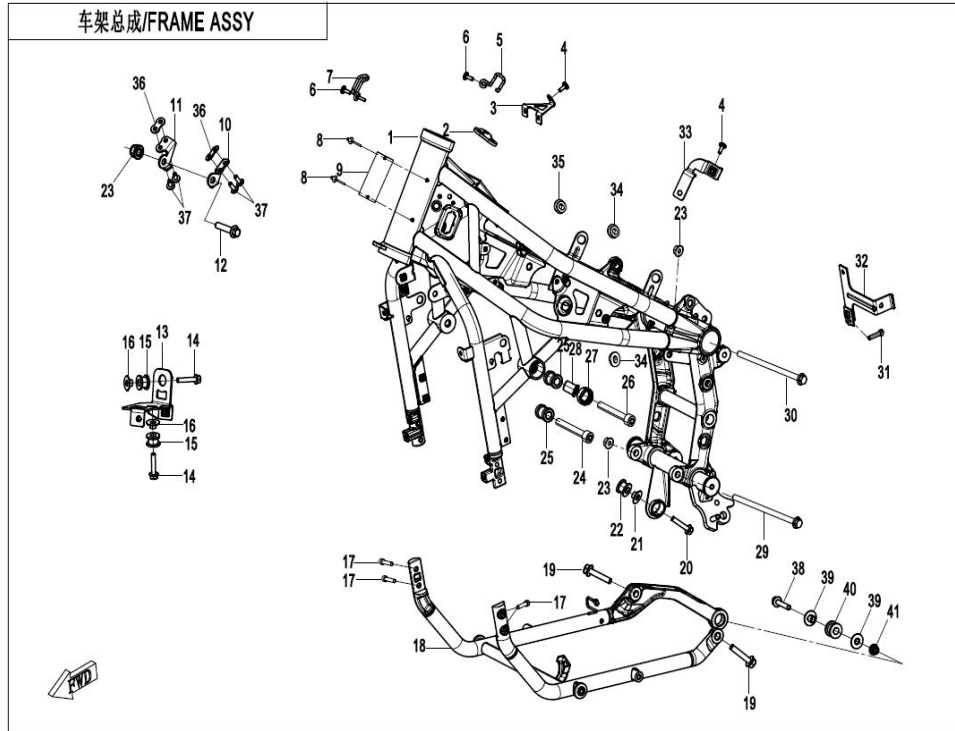
F02-V2 MUFFLER

Item No.	Parts Number	Parts Name(EN)	Qty	Specification
1	6090-020010	GEXHAUST PORT GASKET	2	42x33x5
2	6L30-020005	LOCK NUT	4	
3	0HU0-176000	OXYGEN SENSOR	2	
4	6AQV-021100-7101-0D700	EXHAUST PIPE ASSY	1	MATTE BLACK
5	30006-080035810	BOLT	1	M8x35
6	6AQV-021500-1000	CLAMP KIT	1	
7	6AQV-021400-1000	GRAPHITE SEAL BUSHING	1	
8	6KJ0-020003	BUSHING, MUFFLER	1	
9	6KJ0-020004	BUSHING, MUFFLER	1	
10	30006-080040810	BOLT	1	M8x40
11	6AQV-021300-7101-0DN00	MUFFLER ASSY	1	
12	6GU#-021005-6000	GUARD RUBBER SLEEVE	1	
13	6AQV-021005-3000	SCREW	2	
14	6AQV-021004-3000	GUARD SLEEVE	2	
15	6AQV-021020-7101	MUFFLER GUARD 2	1	



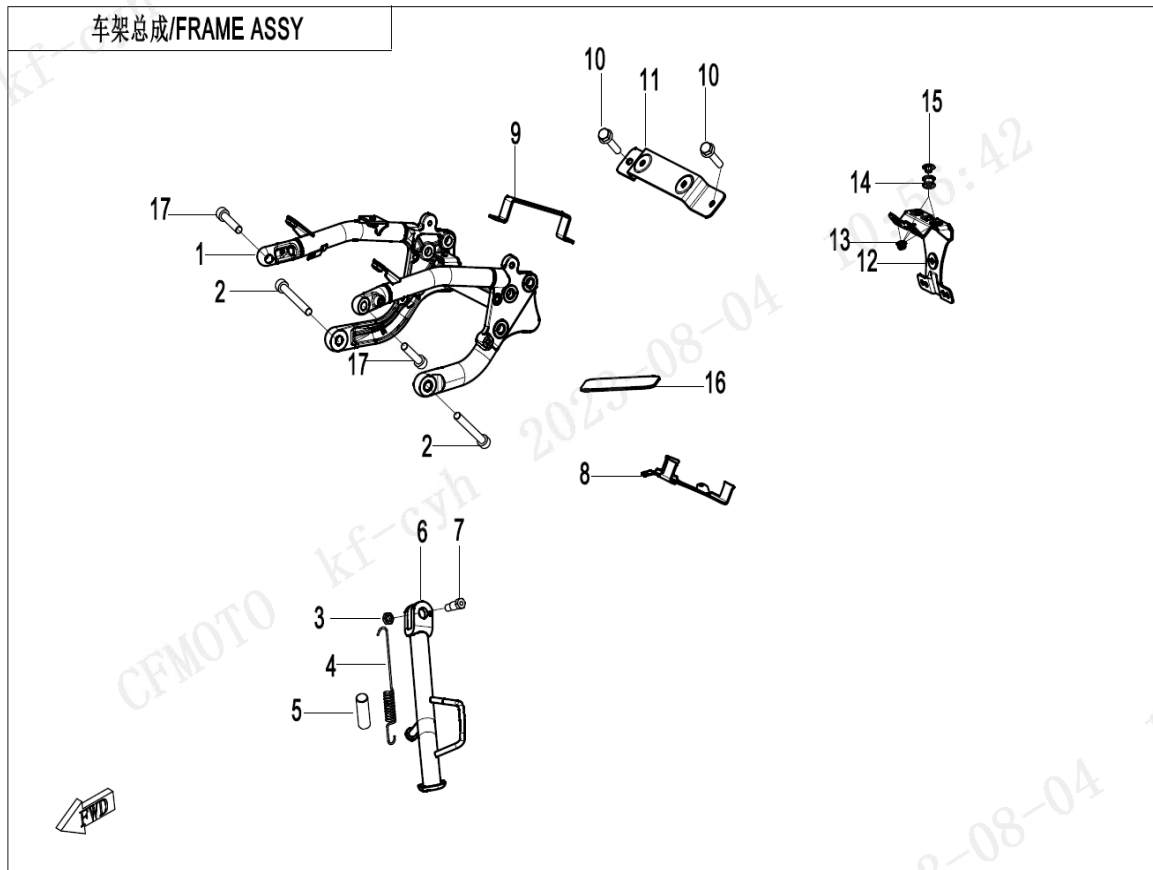
F03-1-V1 FRAME I

Item No.	Parts Number	Parts Name(EN)	Qty	Specification
1	6AQV-033000-7101-0BP00	FRONT FRAME ASSY	1	MAUD SPIRIT BLACK
2	6AQV-033098-7100	DEAD BOLT PLATE	1	
3	6AQV-030290-7100	ROLL-OVER SENSOR BRACKET	1	
4	30006-060012810	BOLT	2	M6×12
5	6AQV-030480-7100	THROTTLE CABLE CLIP	1	
6	6WWW-047102-5000	INNER HEX SCREW M5×14	2	
7	6AQV-030470-7100	CABLE CLIP	1	
8	30902-0420820	RIVET	2	GB/T12618 4.2×8
9	6FIA-190012	VIN PLATE	1	
10	6AQV-030410-7100-0BP00	HEADLIGHT LH BRACKET	1	MAUD SPIRIT BLACK
11	6AQV-030420-7100-0BP00	HEADLIGHT RH BRACKET	1	MAUD SPIRIT BLACK
12	30006-102040810	BOLT	1	M10×1.25×40
13	6AQV-030250-7100	ABS BRACKET	1	
14	30006-060016810	BOLT	2	M6×16
15	6WWW-030019-5000	CUSHION SLEEVE	2	
16	9060-180029	RADIATOR SLEEVE TUBE	2	
17	30102-080020870	SCREW	4	
18	6AQV-030700-7100-0BP00	BOTTOM BRACKET	1	MAUD SPIRIT BLACK
19	30006-080030870	BOLT	2	M8×30
20	30006-080045810	BOLT	1	M8×45
21	6KJ0-020004	BUSHING, MUFFLER	1	
22	6KJ0-020003	BUSHING, MUFFLER	1	
23	30204-102110	NUT	3	M10×1.25
24	6WWW-030011-5000	INNER HEX SCREW M10×45	1	
25	6AQV-030004-1000	BUSHING, ENGINE	2	
26	6AQV-030093-1000	INNER HEX SCREW	1	
27	6NT1-000292	NUT M18	1	M18
28	6AQV-030092-1000	ADJUSTING SCREW, ENGINE	1	
29	30001-102170110	BOLT	1	M10×1.25×170
30	30001-102150110	BOLT M10×1.25×150	1	M10×1.25×150
31	30102-060020870	INNER HEX SCREW M6×20	1	M6×20
32	6AQV-030350-7100	REGULATOR BRACKET	1	
33	6AQV-030003-4000	FLUID RESERVOIR BRACKET	1	
34	6KWV-041114-1000	RUBBER HEAD	4	
35	6KMV-041112-3000	M6 RUBBER SLEEVE	2	
36	6AQV-030460-7100	HEADLIGHT RUBBER	2	
37	6WWW-046802-5000	INNER HEX SCREW M6×16	4	
38	30006-080040810	BOLT	1	M8×40
39	6GU#-020002-6001	BUSHING	2	
40	A000-020004	DAMPER, MUFFLER	1	
41	30204-080810	LOCK NUT	1	M8



F03-1-V2 FRAMEI

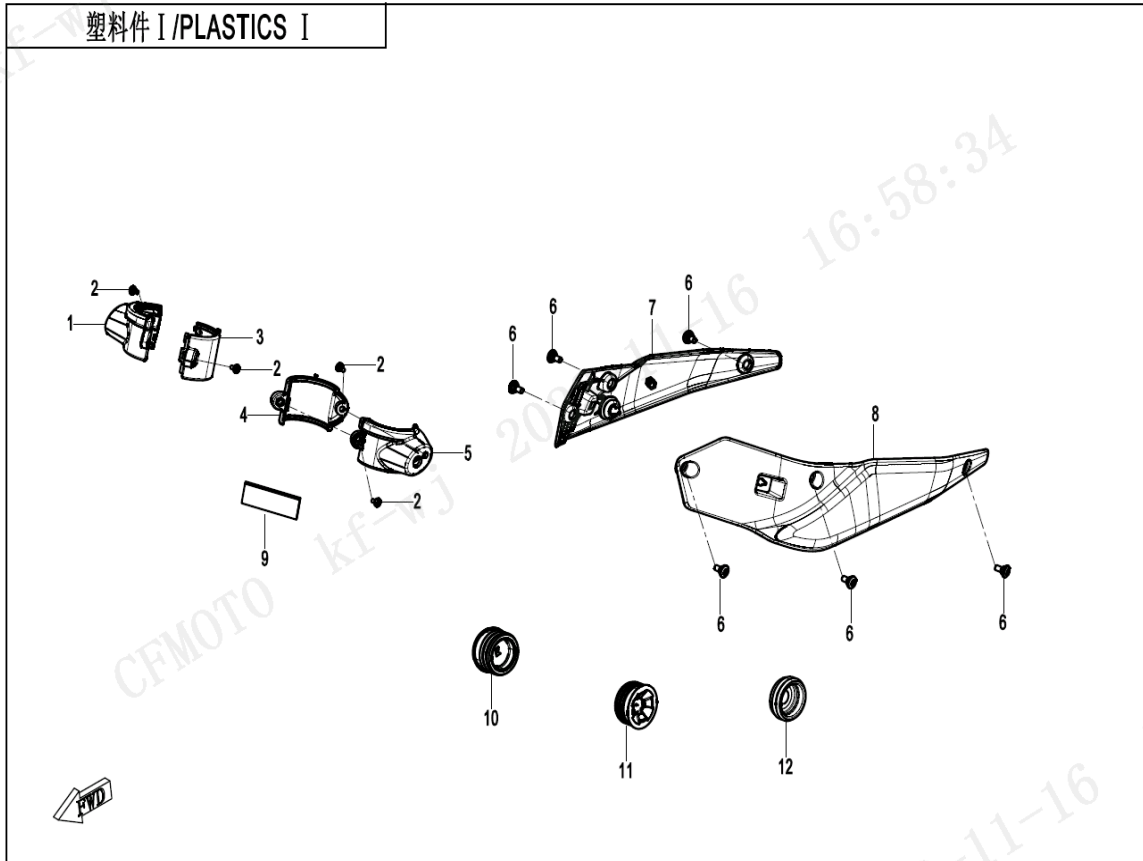
Item No.	Parts Number	Parts Name(EN)	Qty	Specification
1	6AQV-033000-7101-0BP00	FRONT FRAME ASSY	1	MAUD SPIRIT BLACK
2	6AQV-033098-7100	DEAD BOLT PLATE	1	
3	6AQV-030290-7100	ROLL-OVER SENSOR BRACKET	1	
4	30006-060012810	BOLT	2	M6×12
5	6AQV-030480-7100	THROTTLE CABLE CLIP	1	
6	6WWW-047102-5000	INNER HEX SCREW M5×14	2	
7	6AQV-030470-7100	CABLE CLIP	1	
8	30902-0420820	RIVET	2	GB/T12618_4.2×8
9	6FIA-190012	VIN PLATE	1	
10	6KMV-030210-M300	HEADLIGHT LH BRACKET	1	
11	6KMV-030220-M300	HEADLIGHT RH BRACKET	1	
12	30006-102045810	BOLT	1	M10×1.25×45
13	6AQV-030250-7100	ABS BRACKET	1	
14	30006-060016810	BOLT	2	M6×16
15	6WWW-030019-5000	CUSHION SLEEVE	2	
16	9060-180029	RADIATOR SLEEVE TUBE	2	
17	30102-080020870	SCREW	4	
18	6AQV-030700-7100-0BP00	BOTTOM BRACKET	1	MAUD SPIRIT BLACK
19	30006-080030870	BOLT	2	M8×30
20	30006-080045810	BOLT	1	M8×45
21	6KJ0-020004	BUSHING, MUFFLER	1	
22	6KJ0-020003	BUSHING, MUFFLER	1	
23	30204-102110	NUT	3	M10×1.25
24	6WWW-030011-5000	INNER HEX SCREW M10×45	1	
25	6AQV-030004-1000	BUSHING, ENGINE	2	
26	6AQV-030093-1000	INNER HEX SCREW	1	
27	6NT1-000292	NUT M18	1	M18
28	6AQV-030092-1000	ADJUSTING SCREW, ENGINE	1	
29	30001-102170110	BOLT	1	M10×1.25×170
30	30001-102150110	BOLT M10×1.25×150	1	M10×1.25×150
31	30102-060020870	INNER HEX SCREW M6×20	1	M6×20
32	6AQV-030350-7100	REGULATOR BRACKET	1	
33	6AQV-030003-4000	FLUID RESERVOIR BRACKET	1	
34	6KWV-041114-1000	RUBBER HEAD	4	
35	6KMV-041112-3000	M6 RUBBER SLEEVE	2	
36	6AQV-030460-7100	HEADLIGHT RUBBER	2	
37	6WWW-046802-5000	INNER HEX SCREW M6×16	4	
38	30006-080040810	BOLT	1	M8×40
39	6GU#-020002-6001	BUSHING	2	
40	A000-020004	DAMPER, MUFFLER	1	
41	30204-080810	LOCK NUT	1	M8



F03-2 FRAMEII

Item No.	Parts Number	Parts Name(EN)	Qty	Specification
1	6AQV-032000-7100-0BP00	REAR FRAME ASSY	1	MAUD SPIRIT BLACK
2	6WWV-030017-5000	INNER HEX SCREW M10x30	2	
3	30208-102010	NUT	1	M10×1.25
4	A000-030210	SIDE STAND SPRING ASSY	1	
5	A000-030004	SIDE STAND SPRING SLEEVE	1	
6	6AQV-030600-7100-0BP00	SIDE STAND ASSY	1	MAUD SPIRIT BLACK
7	6080-030004	BOLT	1	
8	6AQV-030260-7100	ECU BRACKET	1	
9	6AQV-030360-7100	BATTERY PLATE	1	
10	30006-060016810	BOLT	2	M6×16
11	6AQV-030120-7100	SEAT SUPPORT	1	
12	6AQV-030370-7100	TAIL LIGHT BRACKET	1	
13	30204-060810	NUT	4	M6
14	6WWV-030019-5000	CUSHION SLEEVE	2	
15	9060-180029	RADIATOR SLEEVE TUBE	2	
16	6AQV-041116-1000	FRAME STICKER	1	
17	6L30-030092	BOLT M10x22	2	M10x22

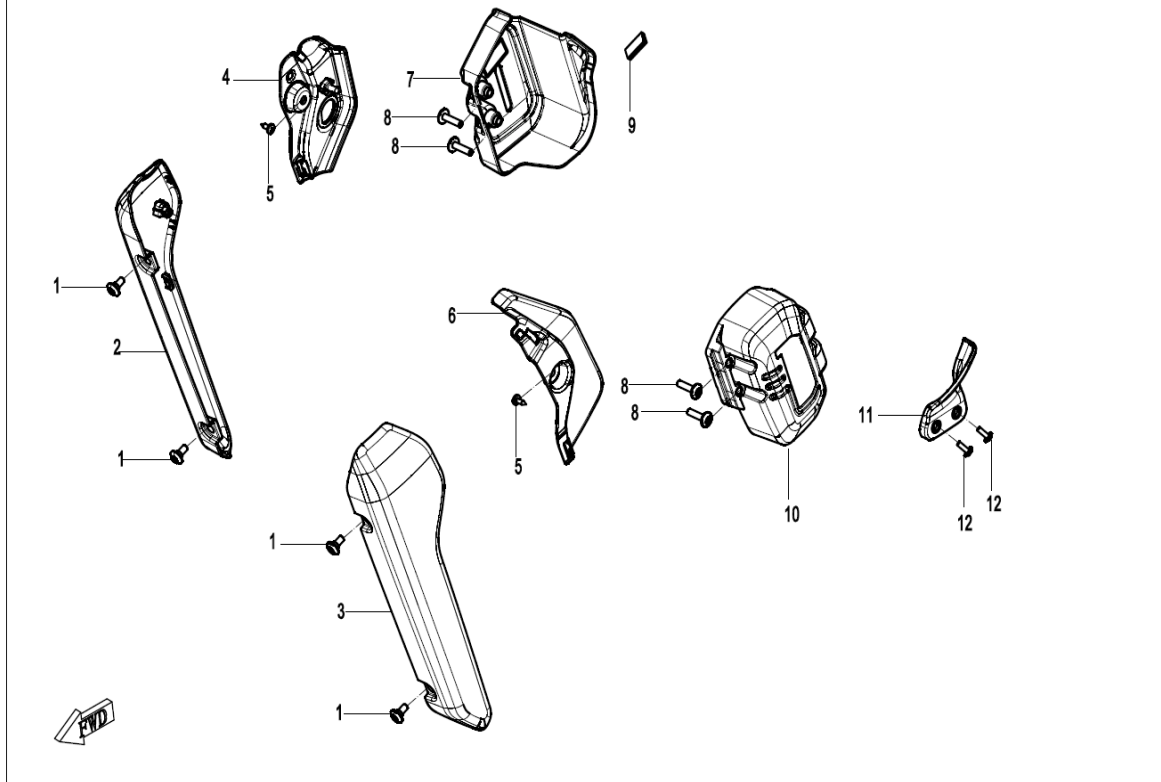
塑料件 I / PLASTICS I



F04-1 PLASTICS I

Item No.	Parts Number	Parts Name(EN)	Qty	Specification
1	6AQV-040102-7100	FRONT RH TURN LIGHT BRACKET	1	
2	30102-050012870	SCREW	4	M5x12@BLACK ZINC-PLATED
3	6AQV-040104-7100	FRONT RH TURN LIGHT COVER	1	
4	6AQV-040103-7100	FRONT LH TURN LIGHT COVER	1	
5	6AQV-040101-7100	FRONT LH TURN LIGHT BRACKET	1	
6	6WWV-046502-5000	STEPPED SCREW M5	6	
7	6AQV-040402-7100	FUEL TANK RH PANEL	1	
8	6AQV-040401-7100	FUEL TANK LH PANEL	1	
9	6AQV-041106-7100	TURN LIGHT CAP TAPE	2	
10	6AQV-040304-4000	FRAME RH DECO COVER	1	
11	6AQV-040303-4000	FRAME LH DECO COVER	1	
12	6AQV-041107-7100	MUFFLER RH PLUG	1	

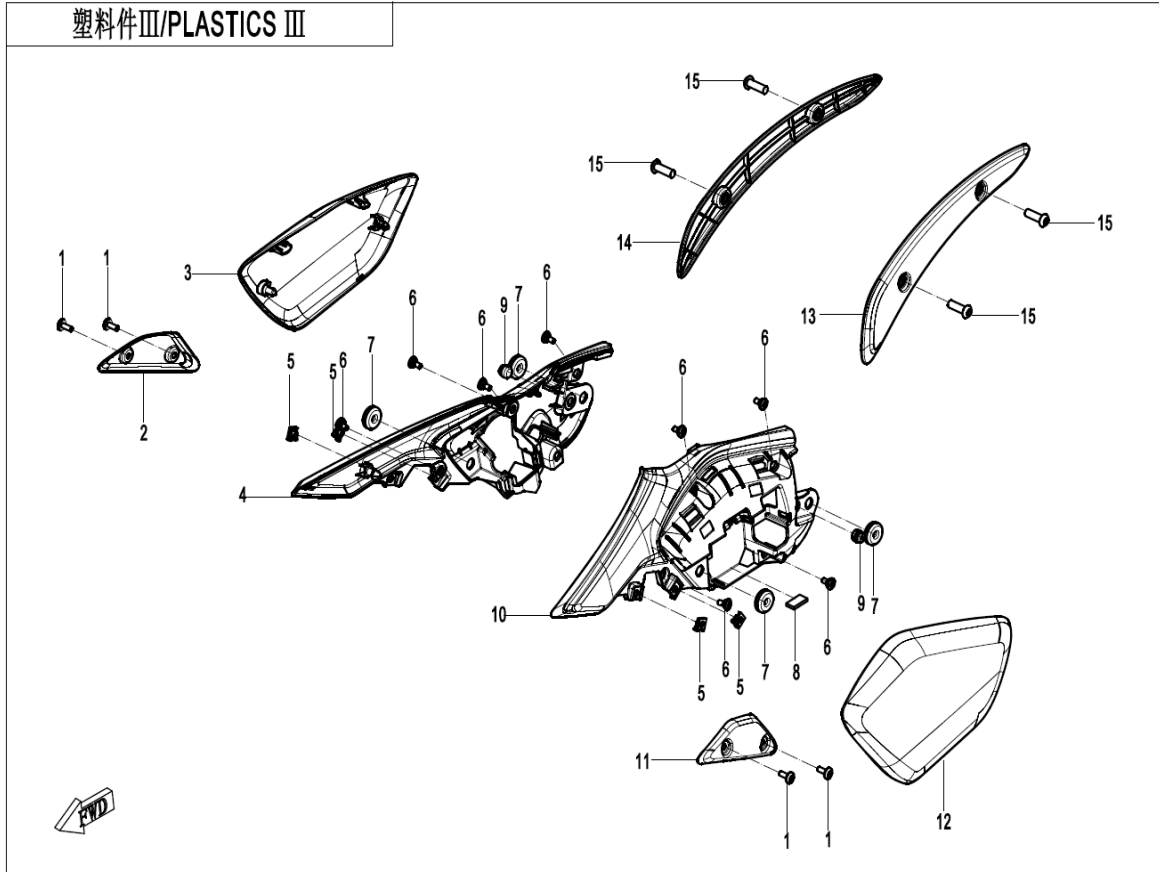
塑料件 II/PLASTICS II



F04-2 PLASTICS II

Item No.	Parts Number	Parts Name(EN)	Qty	Specification
1	6WWW-046602-5000	INNER HEX STEPPED SCREW M6x14	4	
2	6AQV-040502-7100-0BU00	RH PANEL,RESERVOIR	1	MIST SILVER BLACK
3	6AQV-040501-7100-0BU00	LH PANEL,RESERVOIR	1	MIST SILVER BLACK
4	6AQV-040514-7100	DECO PLATE, RH PANEL, RESERVOIR	1	
5	30110-421130010	SELF-TAPPING SCREW	2	ST4.2x13@COLOR ZINC TRIVALENT CHROMIUM
6	6AQV-040513-7100	RESERVOIR LH PANEL DECO PLATE	2	
7	6AQV-040509-7100	SECONDARY BOTTLE DECO COVER	1	
7	6AQV-040509-7101	SECONDARY BOTTLE DECO COVER	1	
8	6WWW-047002-5000	INNER HEX SCREW M6x25	4	
9	9DS#-041510-6000	BUCKLE ASSEMBLY	1	
10	6AQV-040419-7100	CANISTER COVER	1	
11	6AQV-041401-7100	LH FOOTREST GUARD	1	
12	6WWW-046502-5000	STEPPED SCREW M5	2	

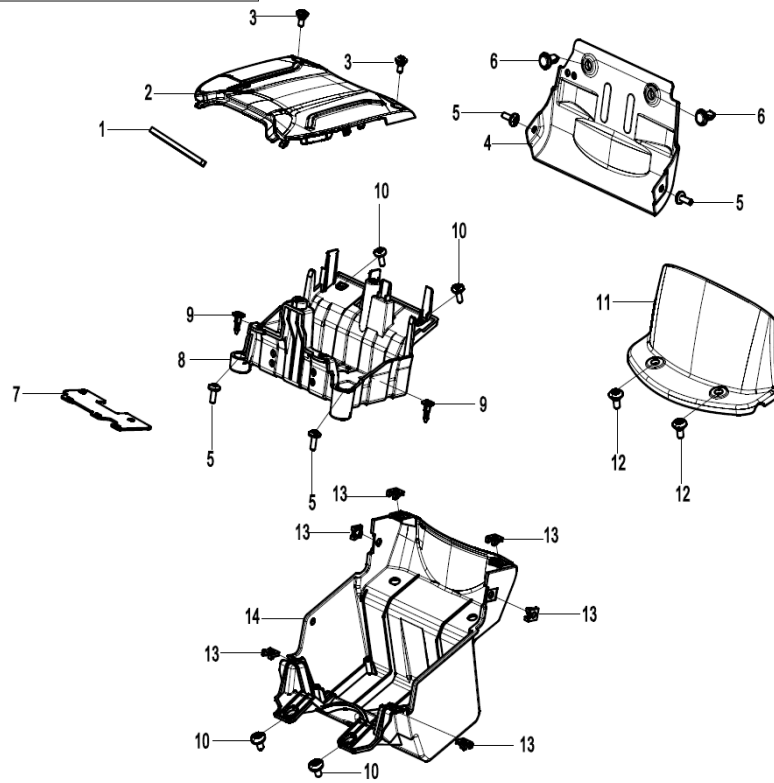
塑料件III/PLASTICS III



F04-3 PLASTICS III

Item No.	Parts Number	Parts Name(EN)	Qty	Specification
1	6WWV-047102-5000	INNER HEX SCREW M5x14	4	
2	6AQV-040608-7100-0HD00	RH PANEL DECO COVER	1	
3	6AQV-040622-7100-10-0BM00	DECAL ASSY,RH PANEL	1	NABULA BLACK
4	6AQV-040604-7100	RH PANEL BASE	1	
5	6KM#-040081-8000-M1	NUT CLIP M5	4	
6	6WWV-046502-5000	STEPPED SCREW M5	8	
7	6AQV-040606-7100	SIDE PANEL CUSHION SLEEVE	4	
8	6KM#-160420-8001	SPONGE MAT	10	
9	6WWV-045801-5000	PITTED RUBBER	4	
10	6AQV-040603-7100	LH PANEL BASE	1	
11	6AQV-040607-7100-0HD00	LH PANEL DECO COVER	1	
12	6AQV-040621-7100-10-0BM00	DECAL ASSY,LH PANEL	1	NABULA BLACK
13	6AQV-040807-7100	LH DECO COVER,REAR FENDER	1	
13	6AQV-040807-7101	REAR FENDER LH DECO COVER	1	
14	6AQV-040808-7100	RH DECO COVER,REAR FENDER	1	
14	6AQV-040808-7101	REAR FENDER RH DECO COVER	1	
15	30121-080020870	SCREW	4	M8x20@BLACK ZINC-PLATED

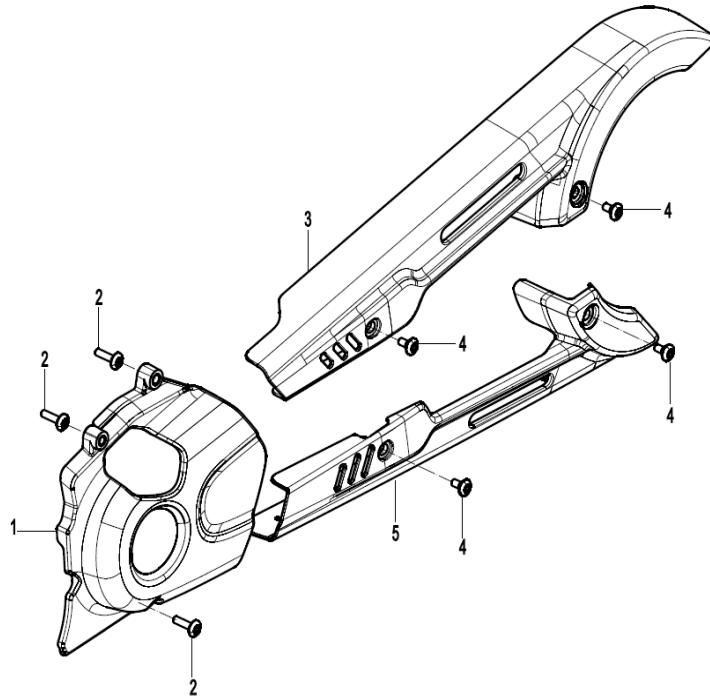
塑料件IV/PLASTICS IV



F04-4 PLASTICS IV

Item No.	Parts Number	Parts Name(EN)	Qty	Specification
1	6AQV-040619-7100	SPONGE	1	
2	6AQV-040605-7101	BATTERY BOX PRESS PLATE	1	
3	6WWV-046502-5000	STEPPED SCREW M5	2	
4	6AQV-041103-7100	FENDER	1	
5	6WWV-047102-5000	INNER HEX SCREW M5x14	4	
6	9060-040310	CLAMP ASSY	2	
7	6AQV-041104-7100	HEAT INSULATOR	1	
8	6AQV-041101-7100	BATTERY BOX	1	
9	8080-041130	EXPANSION RIVET ASSY	2	
10	6WWV-046702-5000	INNER HEX SCREW M6x12	4	
11	6AQV-041105-7100	REAR SHOCK ABSORBER FENDER	1	
12	6WWV-046602-5000	INNER HEX STEPPED SCREW M6x14	2	
13	6KM#-040081-8000-M1	NUT CLIP M5	6	
14	6AQV-041102-7100	BATTERY BOX CARTRIDGE	1	

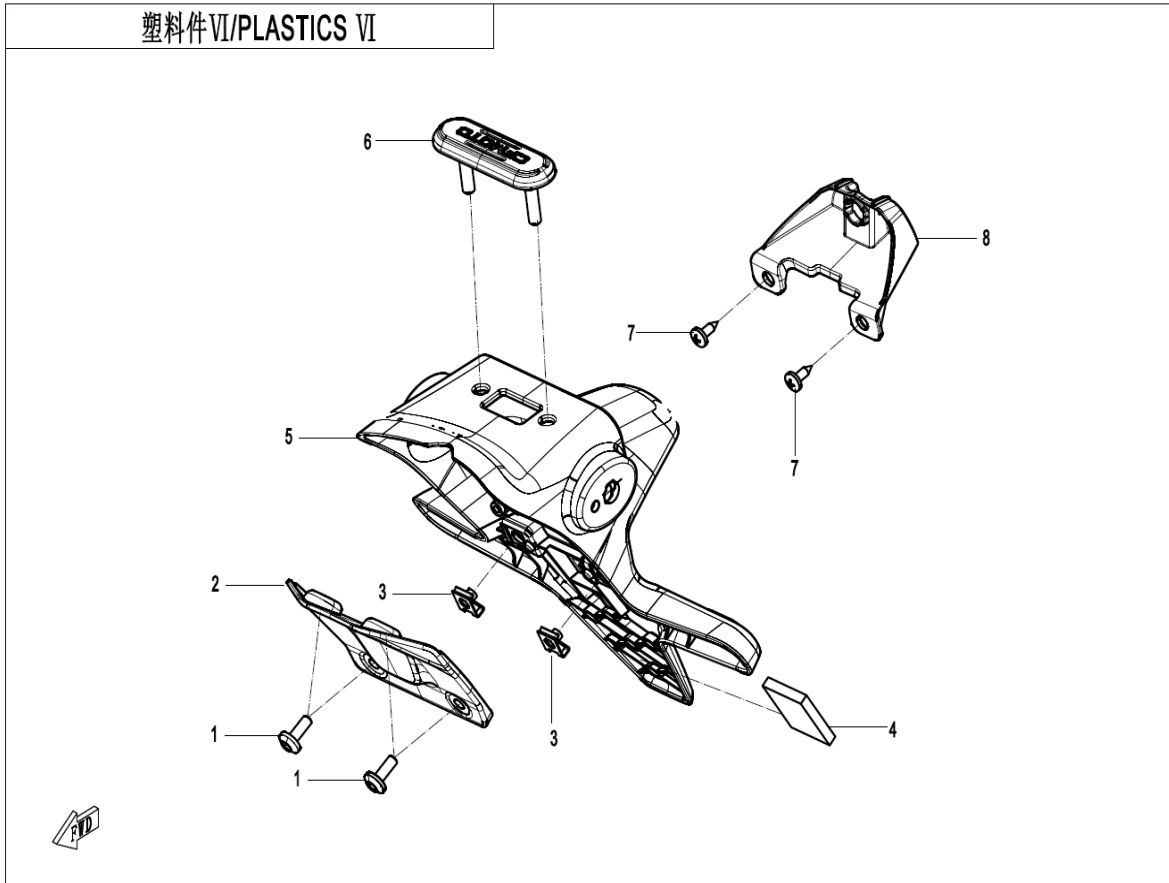
塑料件 V/PLASTICS V



F04-5 PLASTICSV

Item No.	Parts Number	Parts Name(EN)	Qty	Specification
1	6AQV-000102-7100	SMALL SPROCKET GUARD	1	
2	6WWV-047002-5000	INNER HEX SCREW M6x25	3	
3	6AQV-040701-7100	BELT UPPER GUARD	1	
4	6WWV-046602-5000	INNER HEX STEPPED SCREW M6x14	4	
5	6AQV-040702-7100	BELT LOWER GUARD	1	

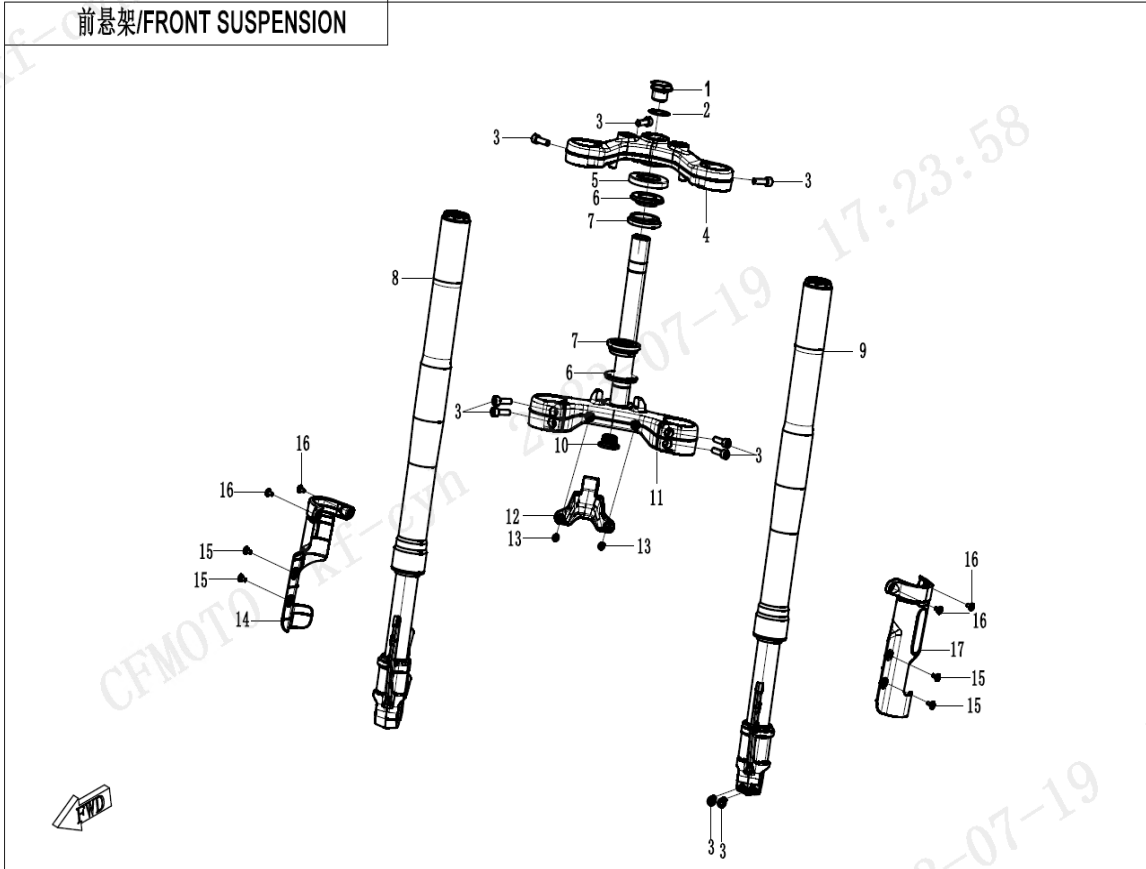
塑料件VI/PLASTICS VI



F04-6 PLASTICS VI

Item No.	Parts Number	Parts Name(EN)	Qty	Specification
1	6WWV-047102-5000	INNER HEX SCREW M5x14	4	
2	6AQV-040802-7100	REAR FENDER DECO COVER	1	
3	6KM#-040081-8000-M1	NUT CLIP M5	2	
4	6NT1-041510	BUCKLE ASSY	1	
5	6AQV-040801-7100-10	REAR FENDER	1	"
6	6AQV-040805-7100	REAR FENDER PLUG	1	
6	6AQV-040805-7101	REAR FENDER PLUG	1	
7	30110-421130010	SELF-TAPPING SCREW	2	ST4.2x13@COLOR ZINC TRIVALENT CHROMIUM
8	6AQV-040803-7100	LICENSE LIGHT BRACKET	1	

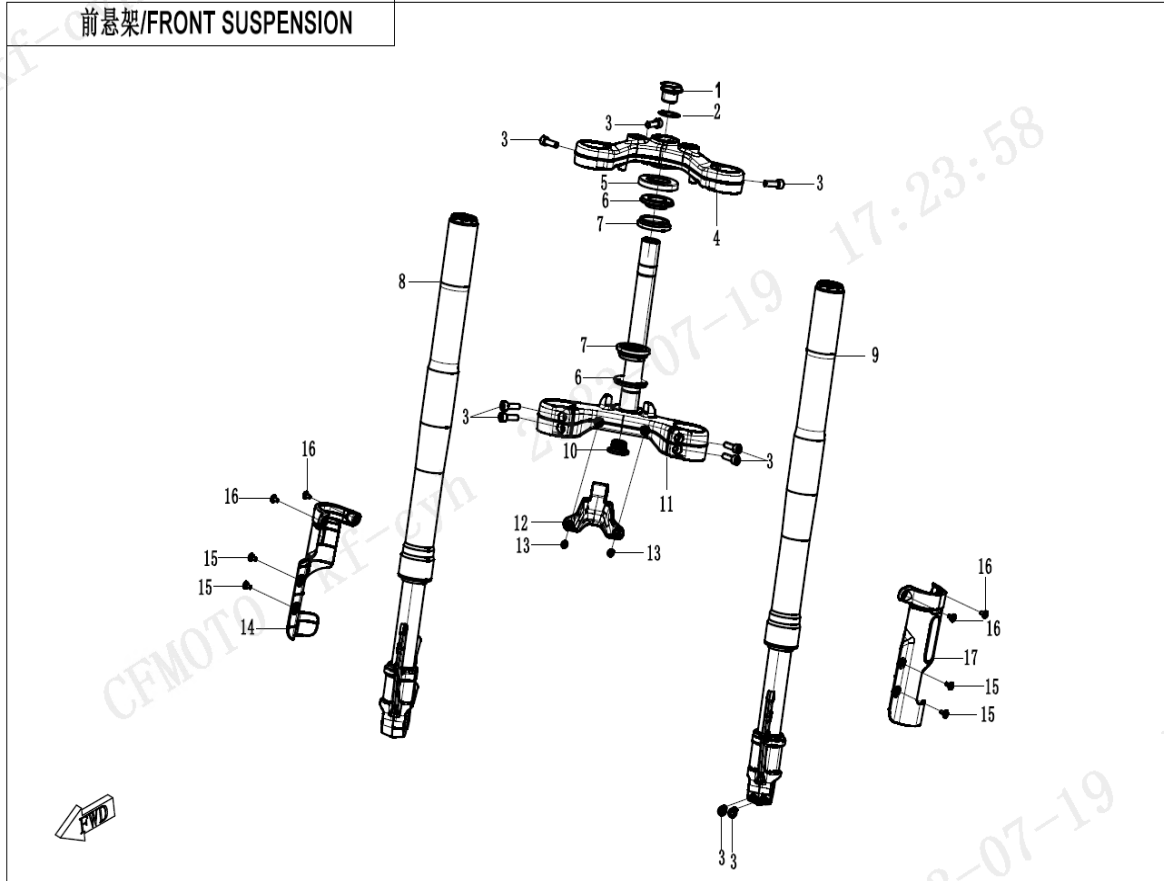
前悬架/FRONT SUSPENSION



F05-V1 FRONT SUSPENSION

Item No.	Parts Number	Parts Name(EN)	Qty	Specification
1	6L30-050002	LOCK SCREW, UPPER TRIPLE CLAMP	1	
2	6WVV-050005-5000	WASHER	1	
3	30102-080025870	SCREW	9	M8×25@BLACK ZINC-PLATED
4	6AQV-050001-7101	UPPER TRIPLE CLAMP	1	
5	6L30-050003	ANTI-DUST CAP	1	
6	6AQV-050010-1000	ANTI-DUST RING ASSY	2	
7	6L30-050200	STEERING BEARING ASSY	2	
8	6AQV-050600-7100-M2	FRONT RH SHOCK ABSORBER	1	
9	6AQV-050500-7100-M2	FRONT LH SHOCK ABSORBER	1	
10	6L30-050004	PLUG, FRONT FORK	1	
11	6AQV-0503C0	LOWER TRIPLE CLAMP ASSY	1	
12	6AQV-050350-7100	HEADLIGHT BRACKET	1	
13	30102-060016870	SCREW	2	M6x16@BLACK ZINC-PLATED
14	6AQV-050012-7100	FRONT SHOCK RH DECO GUARD	1	
15	6WVV-046602-5000	INNER HEX STEPPED SCREW M6x14	4	
16	6WVV-046702-5000	INNER HEX SCREW M6x12	4	
17	6AQV-050011-7100	FRONT SHOCK LH DECO GUARD	1	

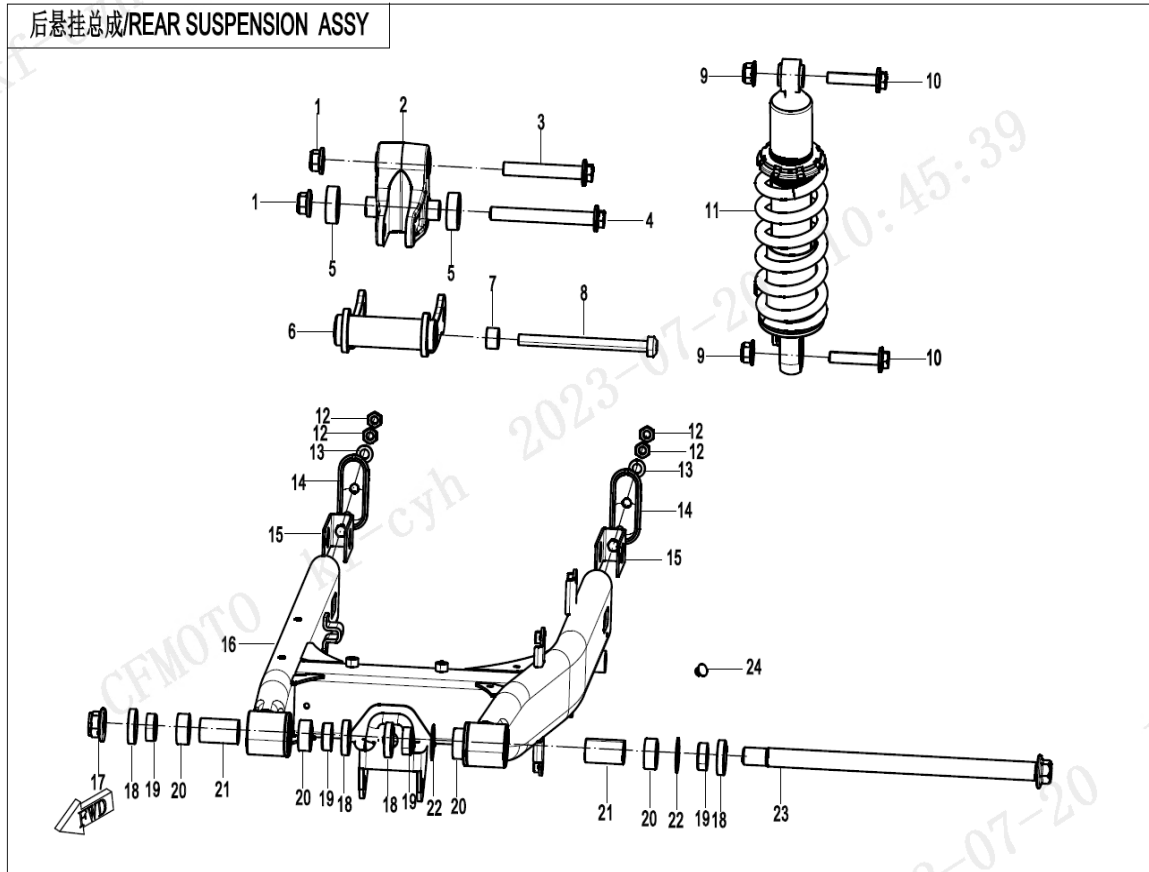
前悬架/FRONT SUSPENSION



F05-V2 FRONT SUSPENSION

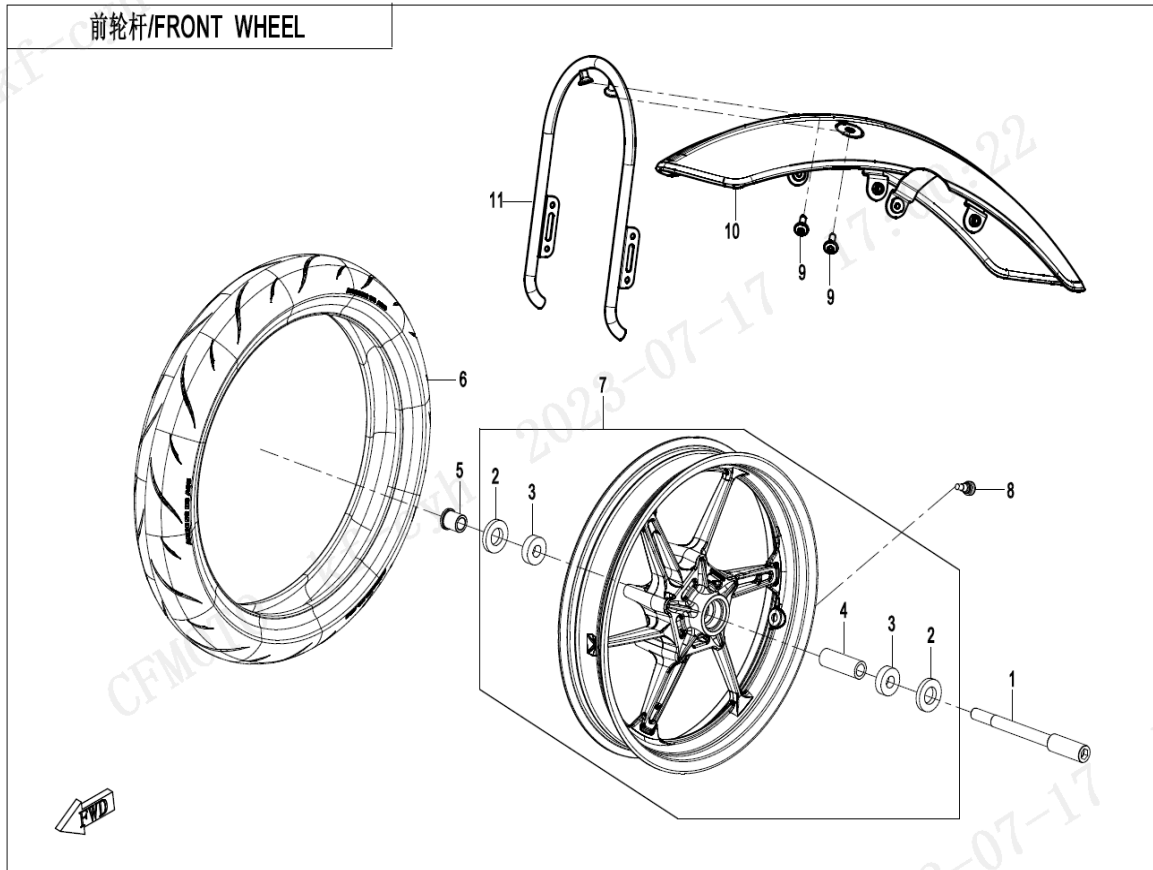
Item No.	Parts Number	Parts Name(EN)	Qty	Specification
1	6L30-050002	LOCK SCREW, UPPER TRIPLE CLAMP	1	
2	6WWW-050005-5000	WASHER	1	
3	30102-080025870	SCREW	9	M8x25@BLACK ZINC-PLATED
4	6AQV-050001-7101	UPPER TRIPLE CLAMP	1	
5	6L30-050003	ANTI-DUST CAP	1	
6	6AQV-050010-1000	ANTI-DUST RING ASSY	2	
7	6L30-050200	STEERING BEARING ASSY	2	
8	6AQV-050600-7103-M2	FRONT RH SHOCK ABSORBER	1	
9	6AQV-050500-7103-M2	FRONT RH SHOCK ABSORBER	1	
10	6L30-050004	PLUG, FRONT FORK	1	
11	6AQV-0503C0	LOWER TRIPLE CLAMP ASSY	1	
12	6AQV-050350-7100	HEADLIGHT BRACKET	1	
13	30102-060016870	SCREW	2	M6x16@BLACK ZINC-PLATED
14	6AQV-050012-7100	FRONT SHOCK RH DECO GUARD	1	
15	6WWW-046602-5000	INNER HEX STEPPED SCREW M6x14	4	
16	6WWW-046702-5000	INNER HEX SCREW M6x12	4	
17	6AQV-050011-7100	FRONT SHOCK LH DECO GUARD	1	

后悬挂总成/REAR SUSPENSION ASSY



F06 REAR SUSPENSION

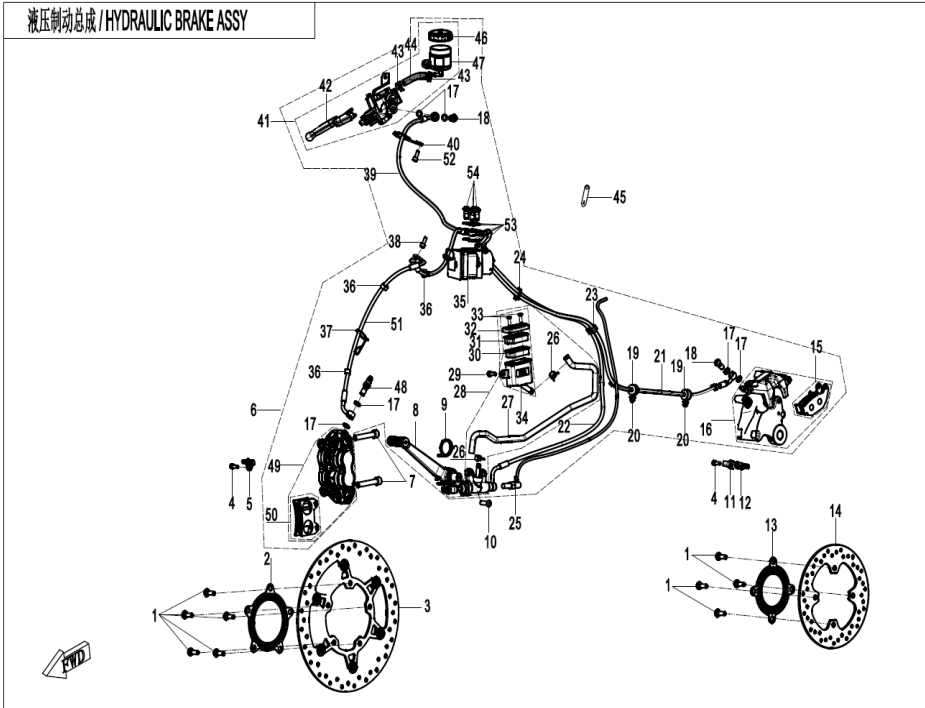
Item No.	Parts Number	Parts Name(EN)	Qty	Specification
1	30204-122810	NUT	2	M12x1.25
2	6AQV-060550-1000	A-SHAPE SWING ARM ASSY	1	
3	6AQV-060008-1002	A-SHAPE SWING ARM BOLT	1	M12x80
4	30024-122110110	BOLT	1	
5	6AQV-060504-1000	RETAINER	2	
6	6AQV-060600-1001	TIE ROD	1	
7	6AQV-060005-1000	SPACER, TIE ROD	1	
8	6AQV-060009-1002	TIE ROD BOLT	1	M10x130
9	30204-102110	NUT	2	M10x1.25
10	6AQV-060004-1002	REAR SHOCK ABSORBER BOLT	2	M10x50
11	6AQV-060100-7100-M2	REAR SHOCK ABSORBER	1	
12	30200-080810	NUT	4	M8
13	30306-080112	WASHER	2	φ8
14	6AQV-060021-7100-OBP00	GUARD, CHAIN ADJUSTER	2	MAUD SPIRIT BLACK
15	6AQV-060020-7100	CHAIN ADJUSTER ASSY	2	
16	6AQV-060300-7100-OBP00	REAR FORK ASSY	1	MAUD SPIRIT BLACK
17	6AQV-060006-1000-M1	NUT	1	M16x1.5
18	6WWV-060030-5000-10	OIL SEAL	4	
19	6WWV-060002-5000	BUSHING, REAR SWING ARM	4	
20	30403-02280	NEEDLE BEARING	4	
21	6WWV-060003-5000	LINER, REAR SWING ARM	2	
22	6WWV-060004-5000	WASHER, REAR SWING ARM	2	
23	6AQV-060001-7100	REAR FORK SHAFT	1	
24	6KM#-100002-8000	CLUCH LEVER PLUG	4	



F07 FRONT WHEEL

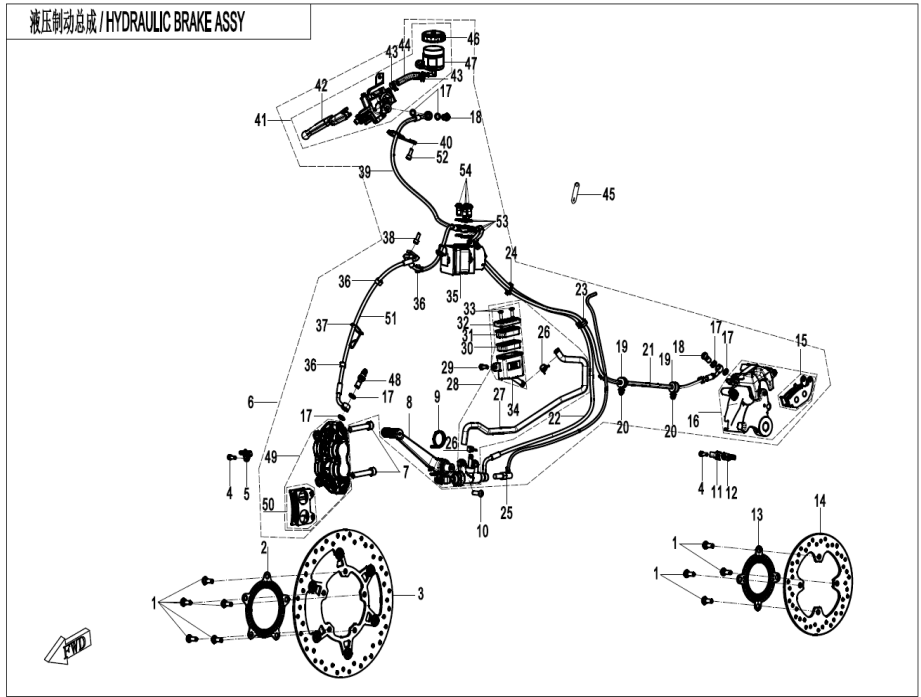
Item No.	Parts Number	Parts Name(EN)	Qty	Specification
1	6AQV-070001-7100	FRONT WHEEL SHAFT	1	
2	6AQV-070200-1000-20	OIL SEAL	2	
3	30400-01785	BEARING	2	
4	6AQV-070202-7100	FRONT RIM MIDDLE SPACER	1	
5	6AQV-070002-1000	FRONT WHEEL SHAFT BUSHING	1	
6	30705-1601	TIRE	1	
7	6AQV-070200-7100-0BV00	FRONT RIM ASSEMBLY	1	MIDNIGHT BLACK
8	5190-070030-1000	VALVE, INFLATION	1	
9	A000-040702	INNER HEX SCREW M6x12	2	M6x12
10	6AQV-070010-7100-0BM00	FRONT FENDER ASSY	1	NABULA BLACK
11	6AQV-070020-7100-0BM00	FRONT FENDER TUBE ASSY	1	NEBULA BLACK

液压制动总成 / HYDRAULIC BRAKE ASSY



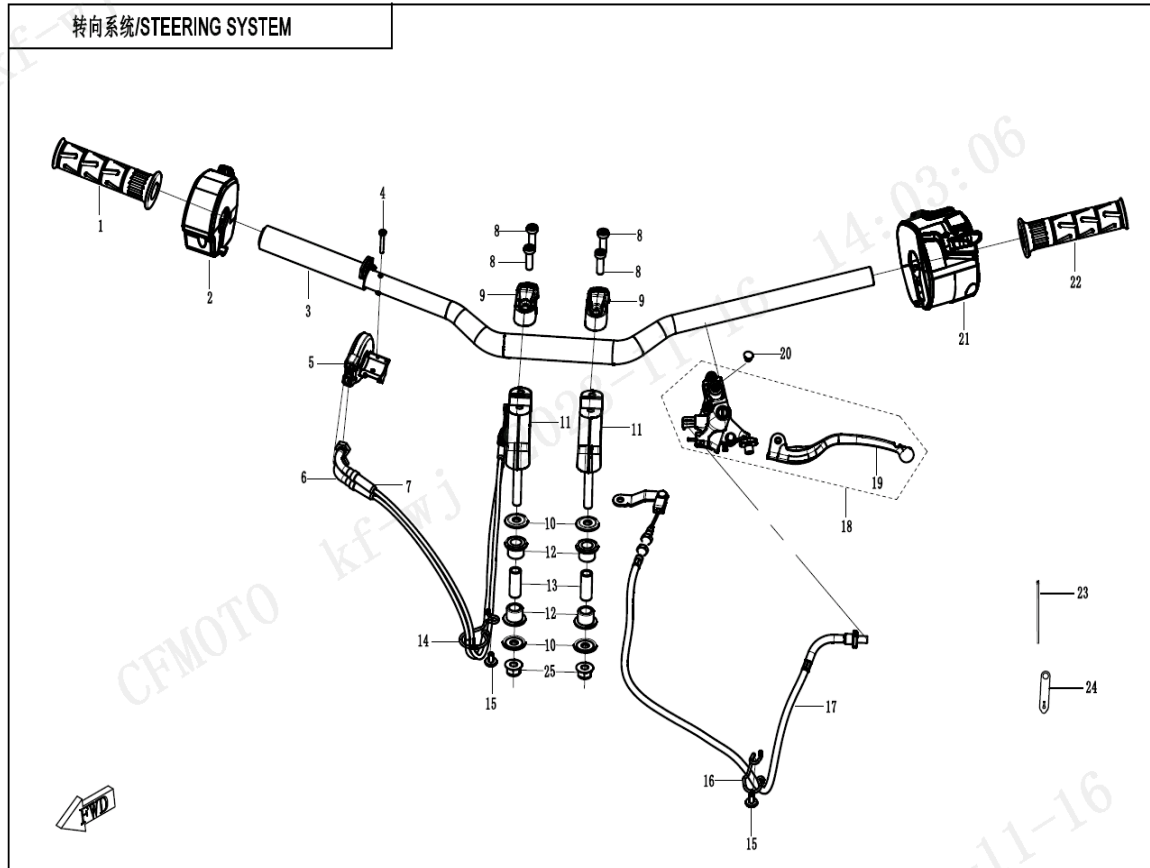
F08-V1 MAB BRAKE ASSY

Item No.	Parts Number	Parts Name(EN)	Qty	Specification
1	6KJ0-080005	FRONT BRAKE DISC BOLT	9	
2	6AQV-080002-1000	FRONT GEAR RING	1	"
3	6AQV-080001-1000-M1	FRONT BRAKE DISC	1	
4	30102-060016870	SCREW	2	M6x16@BLACK ZINC-PLATED
5	6AQV-080004-1000-M2	FRONT SPEED SENSOR	1	
6	6AQV-081000-7102	MAB HYDRAULIC BRAKE ASSY	1	
7	30102-102060810	SCREW	2	M10x1.25x60@TRIVALENT CHROMIUM
8	6AQV-080300-7100	REAR BRAKE PEDAL ASSY	1	
9	6AQV-080400-1000	SPRING	1	
10	30121-080025160	SCREW	1	M8x25
11	6AQV-081003-1000	REAR SPEED SENSOR WIRE CLIP	1	
12	6AQV-080005-1000-M2	REAR RPM SENSOR	1	
13	6NTG-080009	REAR GEAR RING	1	
14	6AQV-080006-1000	REAR BRAKE DISC	1	
15	6KM0-0911B0	REAR BRAKE PAD ASSY	1	
16	6AQV-081710-1001-M1	REAR BRAKE CALIPER ASSY	1	
17	6AQV-081000-7100-20	WASHER	16	
18	6GU#-081000-6000-23	BANJO BOLT 2	6	
19	6KM#-080002-8000	RUBBER OIL HOSE CLIP	2	
20	A000-050015	WIRE CLIP, FRONT BRAKE FLUID HOSE	2	
21	6AQV-081900-7100	REAR BRAKE FLUID INTAKE PIPE	1	
22	6AQV-081800-7102	REAR BRAKE FLUID OUTLET PIPE	1	
23	6L30-080006	WIRE CLIP 2, BRAKE FLUID HOSE	1	
24	8010-150003	TIE BAND	4	5x250
25	6AQV-081070-7100-M1	REAR BRAKE LIGHT SWITCH	1	
26	6KM0-091215-20000	HOSE CLIP 1	2	
27	6AQV-081400-7100-24	RESERVOIR PIPE	1	
28	6AQV-081400-7100-M1	REAR BRAKE MASTER CYLINDER ASSY	1	
29	6WWV-046802-5000	INNER HEX SCREW M6x16	1	
30	6AQV-081410-1000-23	RESERVOIR SEALING PLATE	1	
31	6AQV-081410-1000-22	RESERVOIR GASKET	1	
32	6AQV-081410-1000-24	RESERVOIR TANK COVER	1	
33	6AQV-081410-1000-25	SCREW, RESERVOIR TANK COVER	2	
34	6AQV-081410-1000-21	RESERVOIR TANK	1	
35	6AQV-081300-7100-M1	ABS CONTROLLER	1	
36	6KJ0-080003-00001	BRAKE HOSE CLIP	6	"
37	6AQV-081603-7100	CLIP, FRONT BRAKE FLUID PIPE	1	
38	30102-060012810	SCREW	1	M6x12
39	6AQV-081500-7100	FRONT BRAKE FLUID OUTLET PIPE	1	
40	6AQV-081601-1002	WIRE CLIP, FLUID INLET HOSE	1	
41	6AQV-081100-7100-M1	FRONT BRAKE MASTER CYLINDER ASSY	1	
42	6AQV-081110-1000-47	BRAKE LEVER	1	
43	6AQV-081110-1000-46	CLAMP	2	
44	6AQV-081100-4000-27	PIPE	1	
45	6KJ0-100002	CLUTCH PULL BINDING	2	
46	6AQV-081110-1000-53	RESERVOIR TANK	1	
47	6AQV-081110-1001-54	CAP, FLUID RESERVOIR	1	
48	6GU#-081000-6000-22	BANJO BOLT 1	1	
49	6AQV-081200-7100	FRONT RH BRAKE CALIPER ASSY	1	
50	6AQV-081200-71A0	FRONT BRAKE PAD ASSY	1	
51	6AQV-081600-7102	FRONT BRAKE FLUID INTAKE PIPE	1	
52	6WWV-046702-5000	INNER HEX SCREW M6x12	1	



F08-V2 MAB BRAKE ASSY

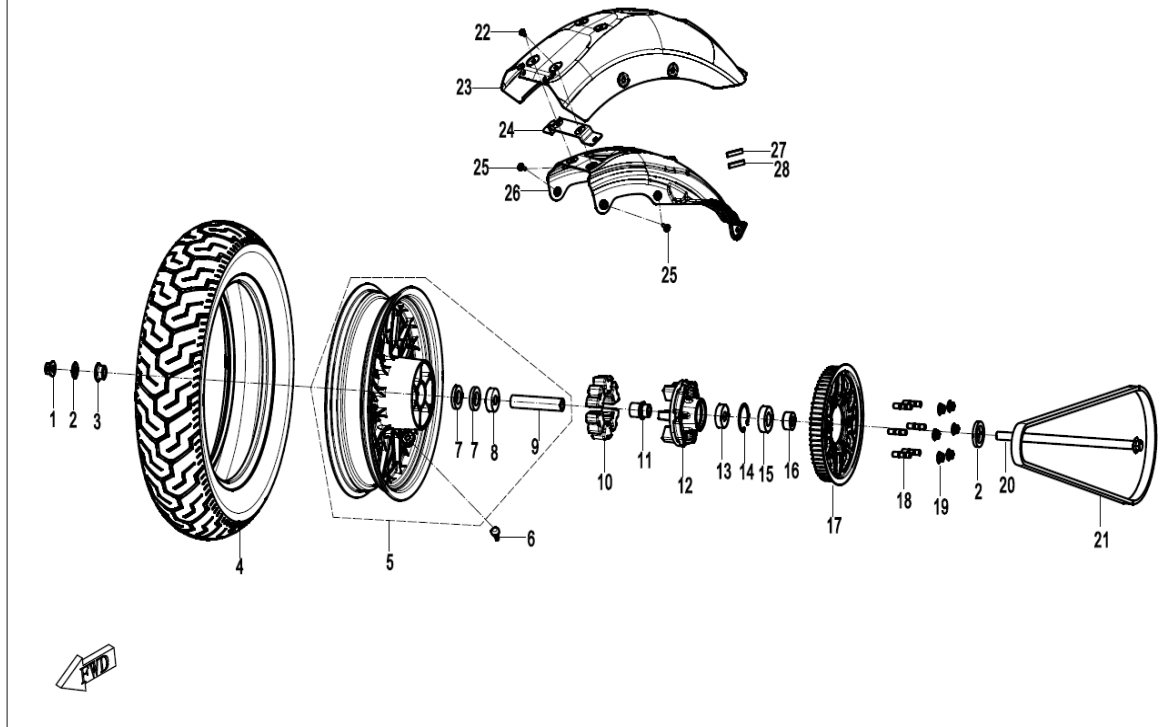
Item No.	Parts Number	Parts Name(EN)	Qty	Specification
1	6KJ0-080005	FRONT BRAKE DISC BOLT	9	
2	6AQV-080002-1000	FRONT GEAR RING	1	"
3	6AQV-080001-1000-M1	FRONT BRAKE DISC	1	
4	30102-060016870	SCREW	2	M6x16@BLACK ZINC-PLATED
5	6AQV-080004-1000-M2	FRONT SPEED SENSOR	1	
6	6AQV-081000-7104	MAB HYDRAULIC BRAKE ASSY	1	
7	30102-102060810	SCREW	2	M10x1.25x60@TRIVALENT CHROMIUM
8	6AQV-080300-7100	REAR BRAKE PEDAL ASSY	1	
9	6AQV-080400-1000	SPRING	1	
10	30121-080025160	SCREW	1	M8x25
11	6AQV-081003-1000	REAR SPEED SENSOR WIRE CLIP	1	
12	6AQV-080005-1000-M2	REAR RPM SENSOR	1	
13	6NTG-080009	REAR GEAR RING	1	
14	6AQV-080006-1000	REAR BRAKE DISC	1	
15	6KM0-0911B0	REAR BRAKE PAD ASSY	1	
16	6AQV-081710-1001-M1	REAR BRAKE CALIPER ASSY	1	
17	6AQV-081000-7100-20	WASHER	8	
18	6GU#-081000-6000-23	BANJO BOLT 2	2	
19	6KM#-080002-8000	RUBBER OIL HOSE CLIP	2	
20	A000-050015	WIRE CLIP, FRONT BRAKE FLUID HOSE	2	
21	6AQV-081900-7100	REAR BRAKE FLUID INTAKE PIPE	1	
22	6AQV-081800-7102	REAR BRAKE FLUID OUTLET PIPE	1	
23	6L30-080006	WIRE CLIP 2, BRAKE FLUID HOSE	1	
24	8010-150003	TIE BAND	4	5x250
25	6AQV-081070-7100-M1	REAR BRAKE LIGHT SWITCH	1	
26	6KM0-091215-20000	HOSE CLIP 1	2	
27	6AQV-081400-7100-24	RESERVOIR PIPE	1	
28	6AQV-081400-7100-M1	REAR BRAKE MASTER CYLINDER ASSY	1	
29	6WVV-046802-5000	INNER HEX SCREW M6x16	1	
30	6AQV-081410-1000-23	RESERVOIR SEALING PLATE	1	
31	6AQV-081410-1000-22	RESERVOIR GASKET	1	
32	6AQV-081410-1000-24	RESERVOIR TANK COVER	1	
33	6AQV-081410-1000-25	SCREW, RESERVOIR TANK COVER	2	
34	6AQV-081410-1000-21	RESERVOIR TANK	1	
35	6AQV-081300-7100-M1	ABS CONTROLLER	1	
36	6KJ0-080003-00001	BRAKE HOSE CLIP	6	"
37	6AQV-081603-7100	CLIP, FRONT BRAKE FLUID PIPE	1	
38	30102-060012810	SCREW	1	M6x12
39	6AQV-081500-7100	FRONT BRAKE FLUID OUTLET PIPE	1	
40	6AQV-081601-1002	WIRE CLIP, FLUID INLET HOSE	1	
41	6AQV-081100-7100-M1	FRONT BRAKE MASTER CYLINDER ASSY	1	
42	6AQV-081110-1000-47	BRAKE LEVER	1	
43	6AQV-081110-1000-46	CLAMP	2	
44	6AQV-081100-4000-27	PIPE	1	
45	6KJ0-100002	CLUTCH PULL BINDING	2	
46	6AQV-081110-1000-53	RESERVOIR TANK	1	
47	6AQV-081110-1001-54	CAP, FLUID RESERVOIR	1	
48	6GU#-081000-6000-22	BANJO BOLT 1	1	
49	6AQV-081200-7100	FRONT RH BRAKE CALIPER ASSY	1	
50	6AQV-081200-71A0	FRONT BRAKE PAD ASSY	1	
51	6AQV-081600-7103	FRONT BRAKE FLUID INLET HOSE	1	
52	6WVV-046702-5000	INNER HEX SCREW M6x12	1	
53	6KM#-081000-8100-20	WASHER	8	
54	6KM#-080103-8101	PIPE BOLT	4	



F10 STEERING SYSTEM

Item No.	Parts Number	Parts Name(EN)	Qty	Specification
1	A000-100010-20000	RH HAND GRIP ASSY	1	
2	6AQV-167000-7100	RH HANDLEBAR SWITCH ASSY	1	
3	6AQV-100100-7100	HANDLEBAR PIPE	1	
4	30105-040030410	SCREW	1	M4x30
5	6AQV-100700-1003	THROTTLE LEVER	1	
6	6AQV-100500-7100	ADJUSTABLE THROTTLE CABLE	1	
7	6AQV-100400-7100	THROTTLE CABLE	1	
8	30102-080025870	SCREW	4	M8x25@BLACK ZINC-PLATED
9	6AQV-100003-7100	HANDLEBAR COVER	2	
9	6AQV-100003-7101	HANDLEBAR PRESS COVER	2	
10	6KJ0-050005	WASHER	4	
11	6AQV-100031-7100	HANDLEBAR BRACKET ASSY	2	
11	6AQV-100031-7101	HANDLEBAR BRACKET ASSY	2	
12	6KJ0-050004	DAMPER RUBBER, UPPER TRIPLE CLAMP	4	
13	6KJ0-050006-00001	LINER, UPPER TRIPLE CLAMP	2	
14	6AQV-100602-7101	HANDLEBAR RH CABLE HOOK	1	
15	6WWV-046702-5000	INNER HEX SCREW M6x12	2	
16	6AQV-100601-7101	HANDLEBAR LH CABLE HOOK	1	
17	6AQV-100600-7100	CLUTCH CABLE	1	
18	6WWV-100200-5003	CLUTCH LEVER ASSY	1	
19	6WWV-100201-5000	CLUTCH LEVER	1	
20	6KM#-100002-8000	CLUCH LEVER PLUG	1	
21	6AQV-166000-7100	LH HANDLEBAR SWITCH ASSY	1	
22	A000-100001-10000	LH HAND GRIP	1	
23	801F-100101	TIE BAND	1	
24	6KJ0-100002	CLUTCH PULL BINDING	2	
25	30204-102810	NUT	2	M10x1.25

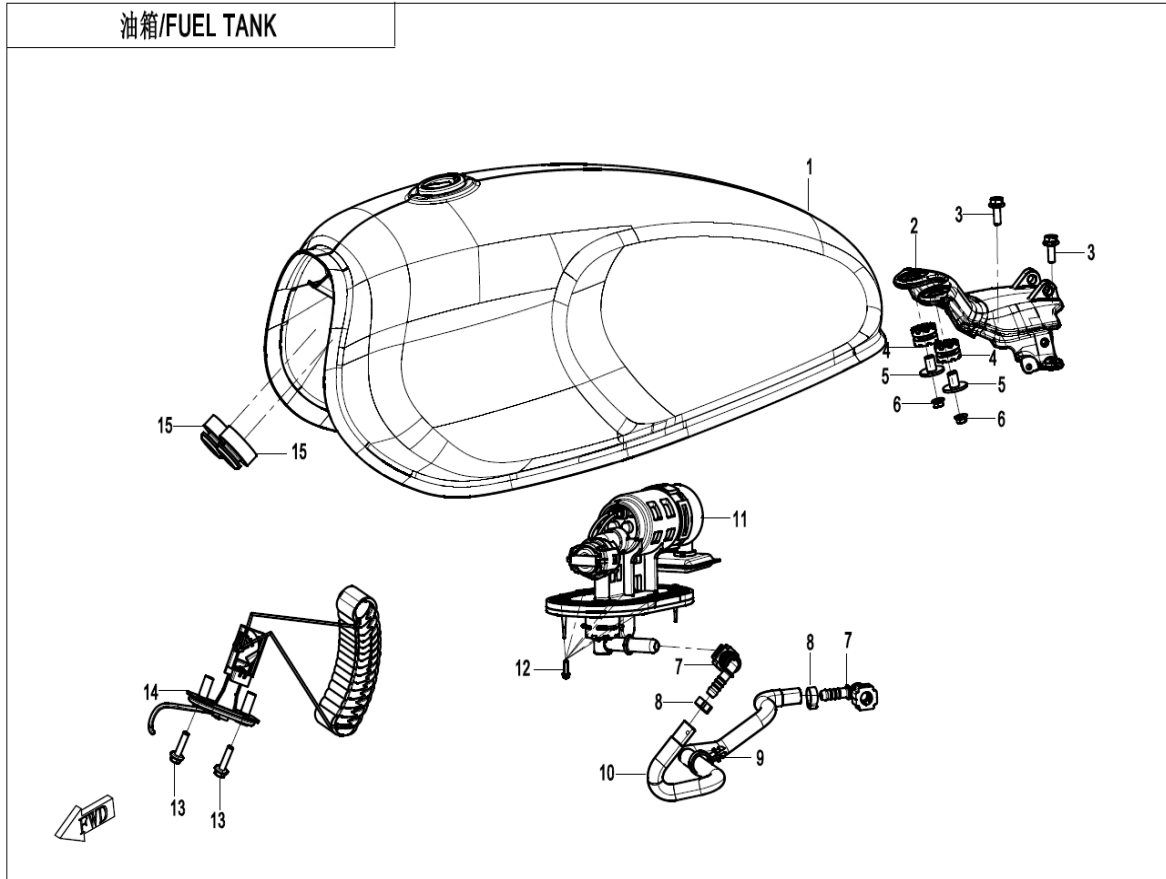
后轮/REAR WHEEL



F11 REAR WHEEL

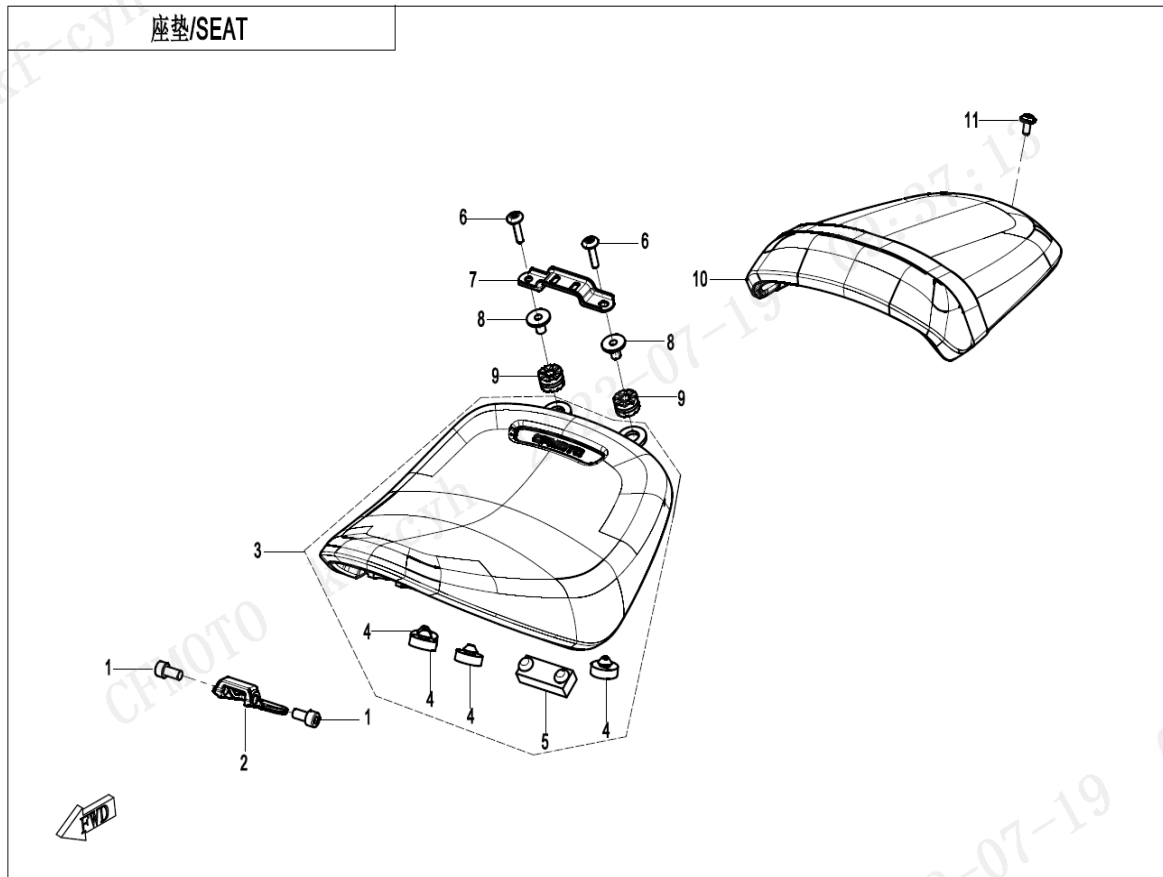
Item No.	Parts Number	Parts Name(EN)	Qty	Specification
1	6AQV-060006-1000-M1	NUT	1	M16×1.5
2	6AQV-110033-7100	BRAKE REAR WHEEL SHAFT PLAIN WASHER	2	
3	6AQV-110004-1000	REAR WHEEL RH SHAFT SLEEVE	1	
4	30705-1602	TIRE	1	
5	6AQV-110200-7100-0BV00	REAR RIM ASSEMBLY	1	MIDNIGHT BLACK
6	5190-070030-1000	VALVE, INFLATION	1	
7	30400-01784	BEARING	2	
8	30500-027800N	OIL SEAL	1	FB27x47x7
9	6AQV-110202-7100	REAR RIM MIDDLE SPACER	1	
10	6AQV-110004-7100	DRIVEN PULLEY SEAT DAMPER	6	
11	6AQV-110003-7100	DRIVEN PULLEY SEAT SHAFT SLEEVE	1	
12	6AQV-110501-7100	DRIVEN PULLEY SEAT	1	"
13	30400-02503	BEARING	1	6205-2RS
14	30800-05205	CIRCLIP FOR HOLE	1	52
15	30501-035800N	OIL SEAL	1	GB9877.1_FB35×52×8
16	6AQV-110003-1000	REAR WHEEL LH SHAFT SLEEVE	1	
17	6AQV-110009-7101-M1-0BP00	DRIVEN PULLEY	1	MAUD SPIRIT BLACK
18	6AQV-110034-7100	DRIVEN PULLEY SEAT STUD	6	"
19	30204-102810	NUT	6	M10×1.25
20	6AQV-110001-7100	REAR WHEEL SHAFT	1	
21	6AQV-110008-7100-M1	SYNCHRONOUS BELT	1	
22	30006-060016810	BOLT	2	M6×16
23	6AQV-110021-7101-0BM00	REAR FENDER OUTER PLATE	1	NEBULA BLACK
24	6AQV-030120-7100	SEAT SUPPORT	1	
25	5HY0-220113	BOLT M8x20	4	M8x20
26	6AQV-110010-7101	REAR FENDER INNER PLATE ASSY	1	
27	6AQV-110031-7100	FENDER RUBBER 1	6	
28	6AQV-110032-7100	FENDER RUBBER 2	8	

油箱/FUEL TANK



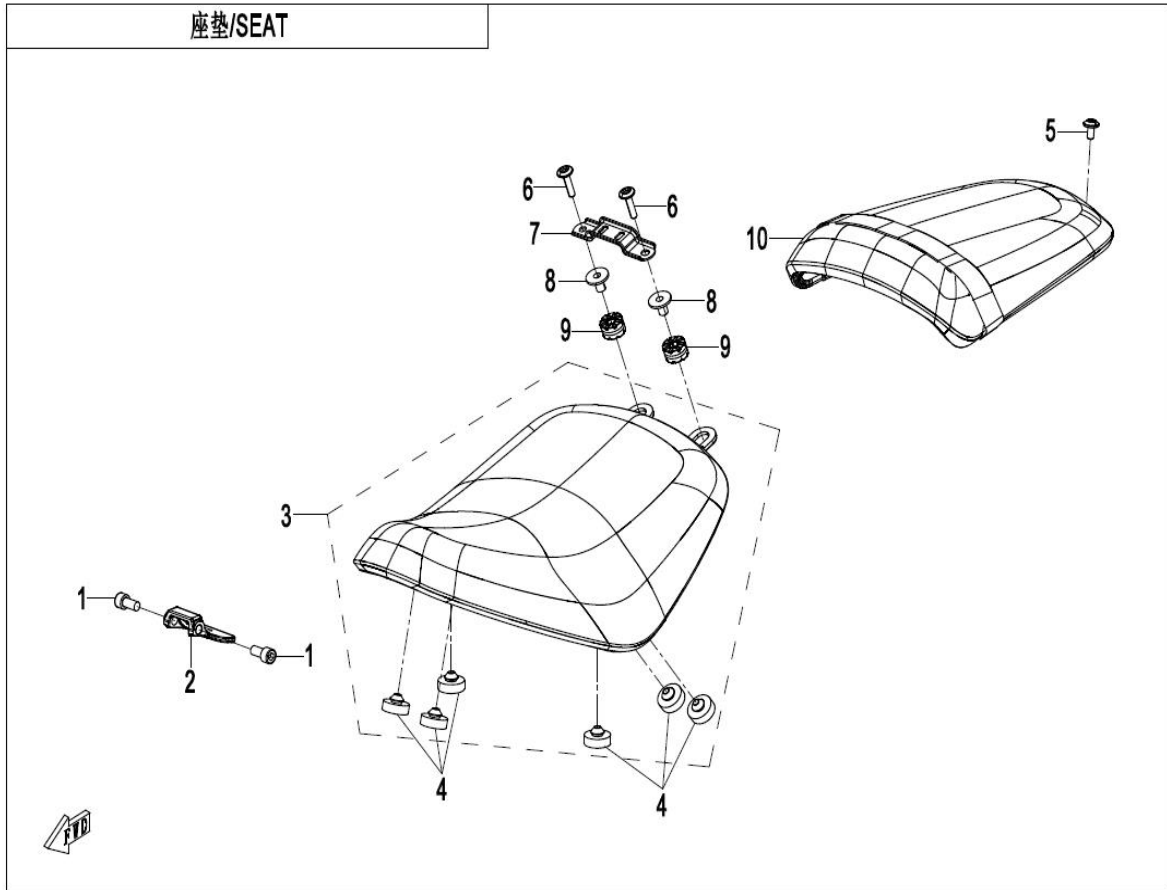
F12 FUEL TANK

Item No.	Parts Number	Parts Name(EN)	Qty	Specification
1	6AQV-121000-7100-0BM00	FUEL TANK ASSY	1	NEBULA BLACK
1	6AQV-122000-7100-10-0W500	FUEL TANK WITH DECAL ASSY.	1	SILVER+RED
1	6AQV-121000-7100-0HC00	FUEL TANK ASSY	1	
2	6AQV-120001-7100-0BP00	FUEL TANK REAR LOWER BRACKET	1	MAUD SPIRIT BLACK
3	30006-060016810	BOLT	2	M6×16
4	5020-031001	RUBBER SLEEVE, FRONT LICENSE BRACKET	2	
5	5020-031002	FRONT LICENSE BRACKET RUBBER SLEEVE BUSHING	2	
6	30204-060810	NUT	2	M6
7	6090-120210	QUICK JOINT	2	
8	6070-120400	CLAMP	2	Dia14.5
9	A000-050015	WIRE CLIP, FRONT BRAKE FLUID HOSE	1	
10	6AQV-120030-7100	HIGH-PRESSURE FUEL HOSE ASSY	1	
11	6AQV-150900-7100	FUEL PUMP ASSY	1	
12	30006-050020810	BOLT	6	M5×20
13	6FI3-170500-00001	FUEL LEVEL SENSOR BOLT	2	
14	6AQV-170200-7100-M1	FUEL LEVEL SENSOR	1	
15	6AQV-120002-7100	CUSHION RUBBER WASHER	2	"



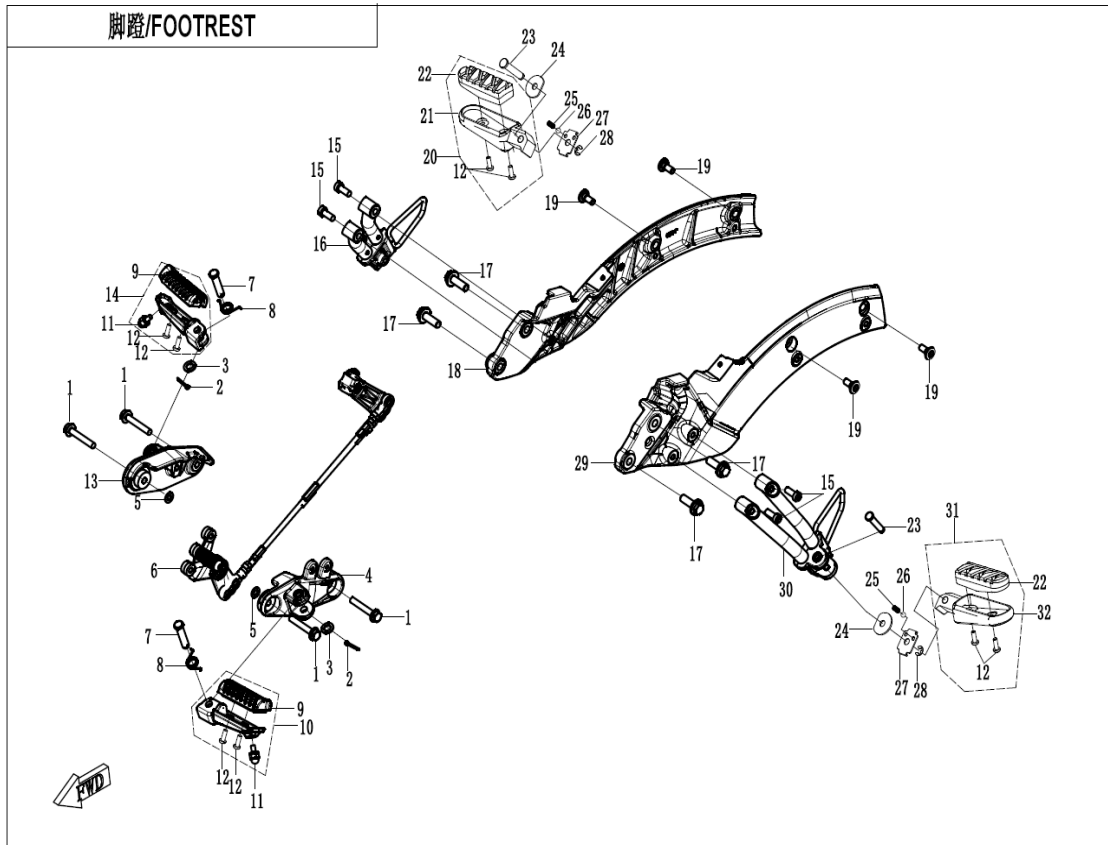
F13-V1 SEAT

Item No.	Parts Number	Parts Name(EN)	Qty	Specification
1	30102-080016810	INNER HEX SCREW	2	M8x16@TRIVALENT CHROMIUM
2	6AQV-130001-7100	FRONT SEAT BRACKET	1	
3	6AQV-130100-7101	FRONT SEAT ASSY	1	
3	6AQV-130100-7100-10	FRONT SEAT ASSY	1	
4	6KM0-130205	CUSHION RUBBER WAHSER	4	
5	6090-130012	RUBBER DAMPER	1	
6	6NTG-200424	INNER HEX SCREW M6x25	2	M6x25
7	6AQV-130002-7101	SEAT BRACKET	1	
8	6KM0-120010	T-TYPE BUSHING ASSY	2	
9	5020-031001	RUBBER SLEEVE, FRONT LICENSE BRACKET	2	
10	6AQV-130200-7101	REAR SEAT ASSY	1	
10	6AQV-130200-7100-10	REAR SEAT ASSY	1	
11	6WWW-046702-5000	INNER HEX SCREW M6x12	1	



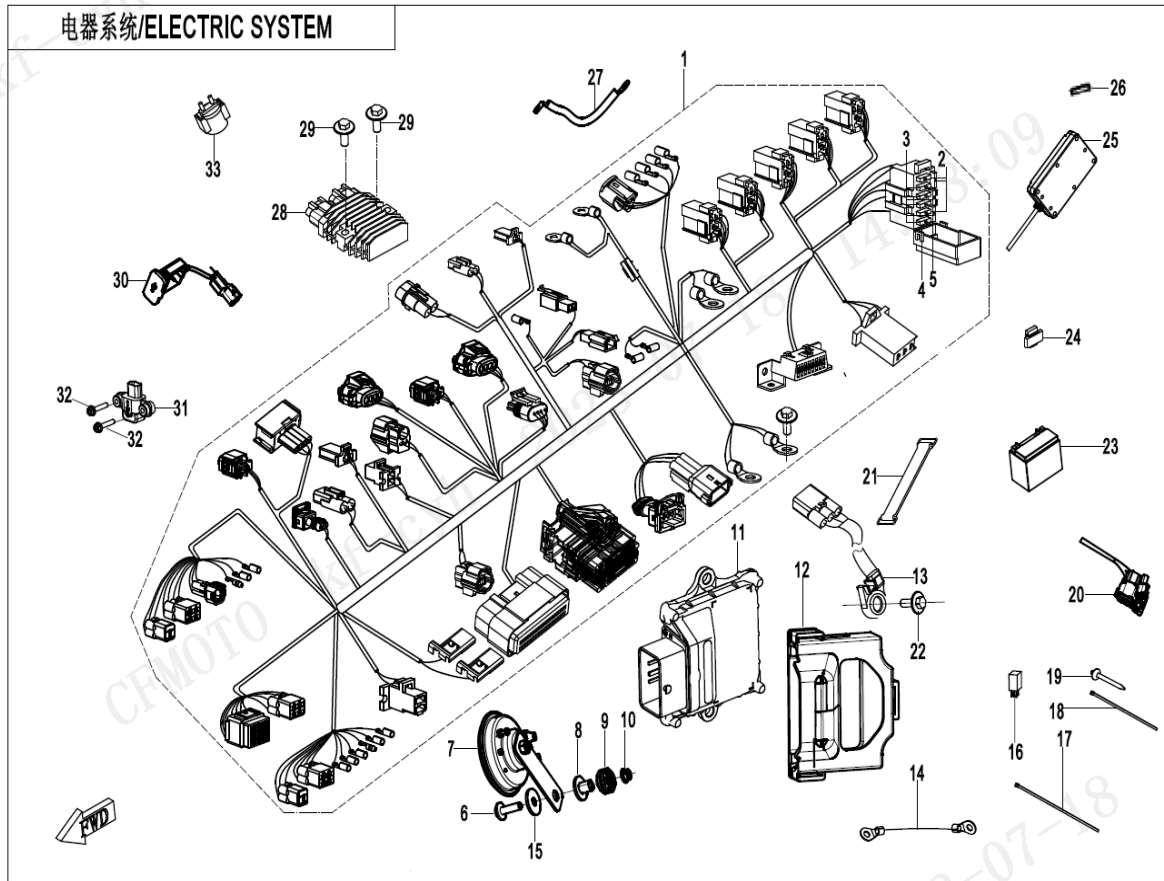
F13-V2 SEAT

Item No.	Parts Number	Parts Name(EN)	Qty	Specification
01	30102-080016810	INNER HEX SCREW	2	M8x16@TRIVALENT CHROMIUM
02	6AQV-130001-7100	FRONT SEAT BRACKET	1	
03	6AQV-130100-7103	FRONT SEAT ASSY	1	
03	6AQV-130100-7101-10	FRONT SEAT ASSY	1	
04	6KM0-130205	CUSHION RUBBER WAHSER	6	
05	6WVW-046702-5000	INNER HEX SCREW M6x12	1	
06	6NTG-200424	INNER HEX SCREW M6x25	2	M6x25
07	6AQV-130002-7101	SEAT BRACKET	1	
08	6KM0-120010	T-TYPE BUSHING ASSY	2	
09	5020-031001	RUBBER SLEEVE, FRONT LICENSE BRACKET	2	
10	6AQV-130200-7102	REAR SEAT ASSY	1	
10	6AQV-130200-7101-10	REAR SEAT ASSY	1	



F14 FOOTREST

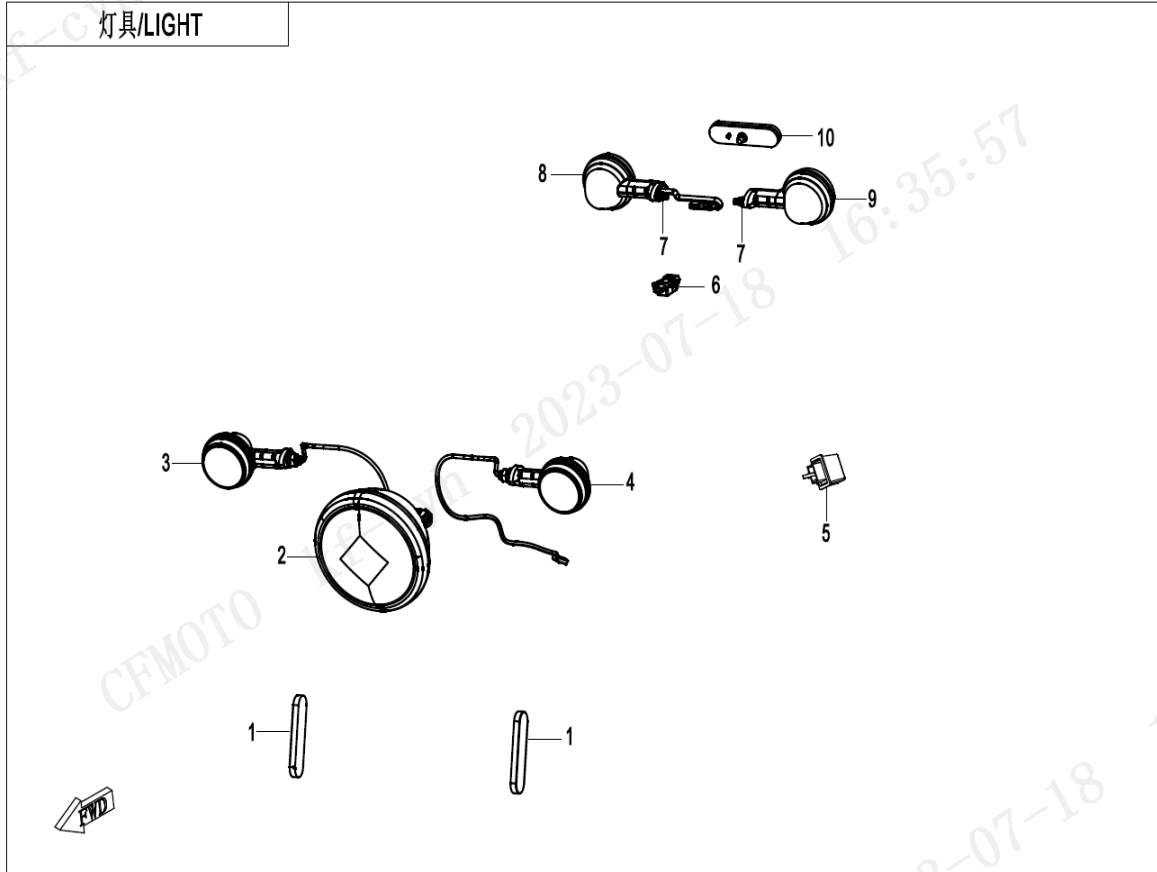
Item No.	Parts Number	Parts Name(EN)	Qty	Specification
1	30006-080050870	BOLT	4	
2	30903-0322210	COTTER PIN	2	φ3.2×22
3	30300-100112	WASHER	2	φ10
4	6AQV-140600-7101	FRONT LH FOOTREST BRACKET	1	
5	0180-334004	GASKET	2	8.2x15x1.5
6	6AQV-141000-7100	GEARSHIFT ROD CONNECTING ASSY	1	
7	6WVV-140141-5000	PIN SHAFT	2	
8	A000-140103-20000	SPRING	2	
9	6KMV-140170-8100	FOOTREST RUBBER	2	
10	6KWV-140800-1000-OBP00	LH FRONT FOOTREST SEAT ASSY	1	MAUD SPIRIT BLACK
11	6GU#-140202-6000	LIMIT BOLT	2	
12	30105-050014470	SCREW	8	M5×14
13	6AQV-140700-7100	RH FRONT FOOTREST BRACKET	1	
14	6KWV-140900-1000-OBP00	RH FRONT FOOTREST SEAT ASSY	1	MAUD SPIRIT BLACK
15	30102-080020870	SCREW	4	
16	6AQV-140040-7100-OBP00	RH REAR FOOTREST BRACKET ASSY	1	MAUD SPIRIT BLACK
17	30006-102030810	BOLT	4	M10×1.25×30
18	6AQV-146000-7101-OBP00	RH REAR FENDER BRACKET	1	MAUD SPIRIT BLACK
19	5HY0-220113	BOLT M8x20	4	M8x20
20	6GU#-1400B0-6000-OBP00	RUBBER, RH REAR FOOTREST BOARD	1	MAUD SPIRIT BLACK
21	6GU#-140051-6000-OBP00	REAR RH FOOTREST SEAT	1	MAUD SPIRIT BLACK
22	6GU#-140080-6000	REAR FOOTREST RUBBER ASSY	2	
23	A000-140142	PIN SHAFT Dia 8	2	Dia 8
24	A000-140106	LOCATING GASKET 2	2	
25	5190-037813	SPRING	2	
26	5190-037814	STEEL BALL	2	
27	A000-140104	LOCATING GASKET 1	2	
28	30802-00603	CIRCLIP 6	2	6
29	6AQV-145000-7101-OBP00	LH REAR FENDER BRACKET	1	MAUD SPIRIT BLACK
30	6AQV-140030-7100-OBP00	LH REAR FOOTREST BRACKET ASSY	1	MAUD SPIRIT BLACK
31	6GU#-1400A0-6000-OBP00	RUBBER, LH REAR FOOTREST BOARD	1	MAUD SPIRIT BLACK
32	6GU#-140041-6000-OBP00	REAR LH FOOTREST SEAT	1	MAUD SPIRIT BLACK



F15 ELECTRIC SYSTEM

Item No.	Parts Number	Parts Name(EN)	Qty	Specification
1	6AQV-150100-7101	MAIN CABLE	1	
2	806A-151302	FUSE 10A	2	10A
3	806A-151307	25A FUSE	1	
4	806A-151305	FUSE 15A	3	15A
5	8010-151301	FUSE 5A	2	5A
6	6WWV-047002-5000	INNER HEX SCREW M6x25	1	
7	6KWV-150600-1000	HORN	1	
8	9060-180029	RADIATOR SLEEVE TUBE	1	
9	6WWV-030019-5000	CUSHION SLEEVE	1	
10	30204-060870	NUT	1	M6
11	6AQV-001000-7100	ECU ASSY	1	
12	6AQV-001300-7100	ECU RUBBER	1	
13	6KMV-151500-3000	SIDE STAND SWITCH	1	
14	6AQV-150310-7100	STARTER MOTOR POSITIVE	1	
15	30301-060470	WASHER	1	φ6
16	5BY4-150330	AUXILIARY RELAY	4	
17	9010-150004	TIE	1	
18	8010-150003	TIE BAND	14	5x250
19	801F-100101	TIE BAND	1	
20	6AQV-150176-7100	LICENSE LIGHT ADAPTER CABLE	1	
21	9RHV-150700-1000	TIE BAND, BATTERY	1	
22	8010-090005	BOLT M6x16	1	M6x16
23	31021100	BATTERY	1	
24	6100-150500	RUBBER SLEEVE, FLASHER	2	
25	SN1V-691100-1201-11	T-BOX	1	AllyTech@Eurasia and Africa and Australia except Turkey
25	SN1V-691100-1301-11	T-BOX	1	
25	SN1V-691100-1401-11	T-BOX	1	AllyTech@South America except for Brazil
25	SN1V-691100-1501-11	T-BOX	1	
25	SN1V-691100-1601-11	T-BOX	1	
26	6AQV-110031-7100	FENDER RUBBER 1	2	
27	6AQV-150420-7100	BATTERY NEGATIVE	1	
28	6AQV-151000-1000	REGULATOR	1	
29	30102-060025870	SCREW	1	M6x25@BLACK ZINC-PLATED
30	FA8V-150600-1000-10	USB OUTPUT SOCKET ASSY	1	"
31	6KJ0-150600	ROLL-OVER SENSOR	1	
32	30006-050020810	BOLT	2	M5x20
33	6AQV-150510-7100	STARTER RELAY	1	

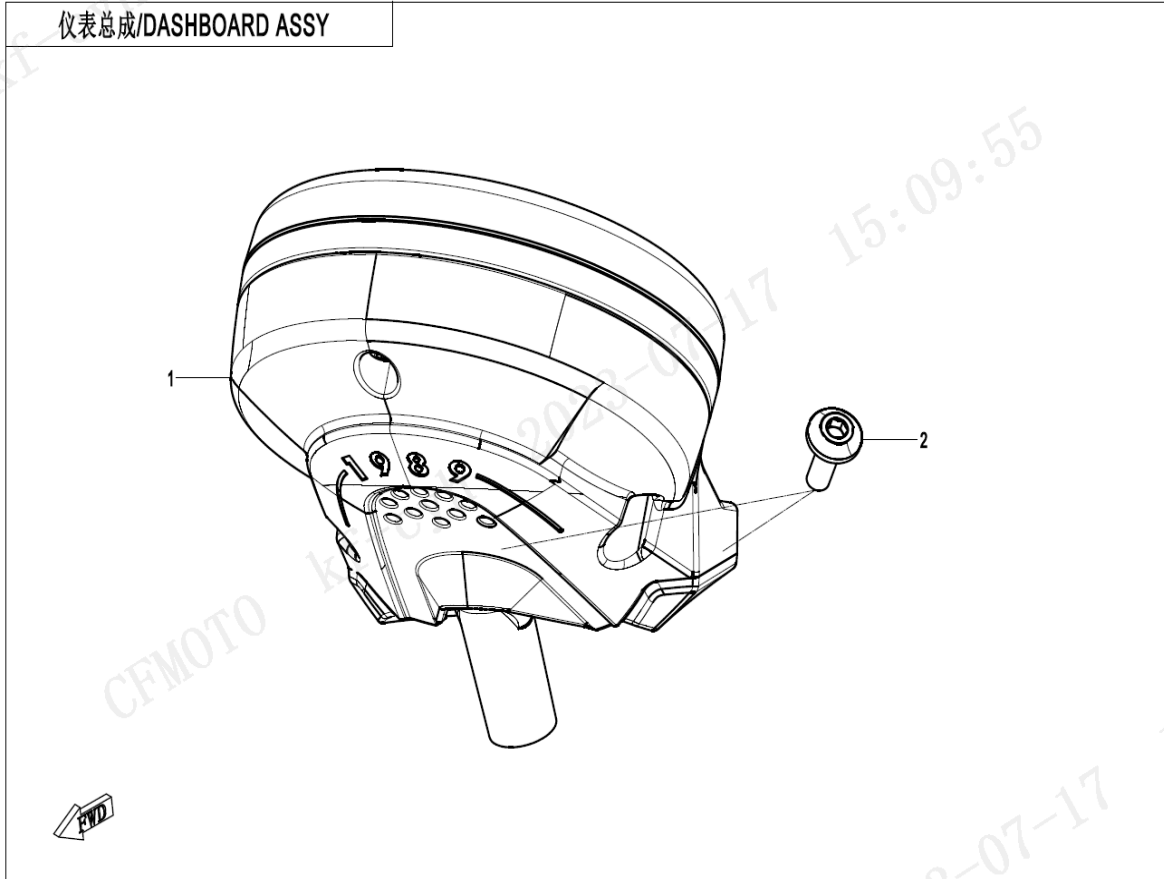
灯具/LIGHT



F16 LIGHTS

Item No.	Parts Number	Parts Name(EN)	Qty	Specification
1	6KM#-050030-8100	SIDE REFLECTOR	2	
2	6AQV-160110-7100	HEADLIGHT	1	
2	6AQV-160110-7101	HEADLIGHT ASSEMBLY	1	
3	6AQV-160520-7100	FRONT RH TURN LIGHT ASSY	1	
3	6AQV-160520-7101	FRONT RH TURN LIGHT ASSEMBLY	1	
4	6AQV-160510-7100	FRONT LH TURN LIGHT ASSY	1	
4	6AQV-160510-7101	FRONT LH TURN LIGHT ASSEMBLY	1	
5	6AQV-161000-7100	FLASHER	1	
6	6GUV-160600-6200	LICENSE LIGHT	1	
7	30202-050110	NUT	4	M5
8	6AQV-160540-7100	REAR RH TURN LIGHT ASSY	1	
8	6AQV-160540-7101	REAR RH TURN LIGHT ASSEMBLY	1	
9	6AQV-160530-7100	REAR LH TURN LIGHT ASSY	1	
9	6AQV-160530-7101	REAR LH TURN LIGHT ASSEMBLY	1	
10	9AWV-160910-2C01-M1	REAR REFLECTOR	1	

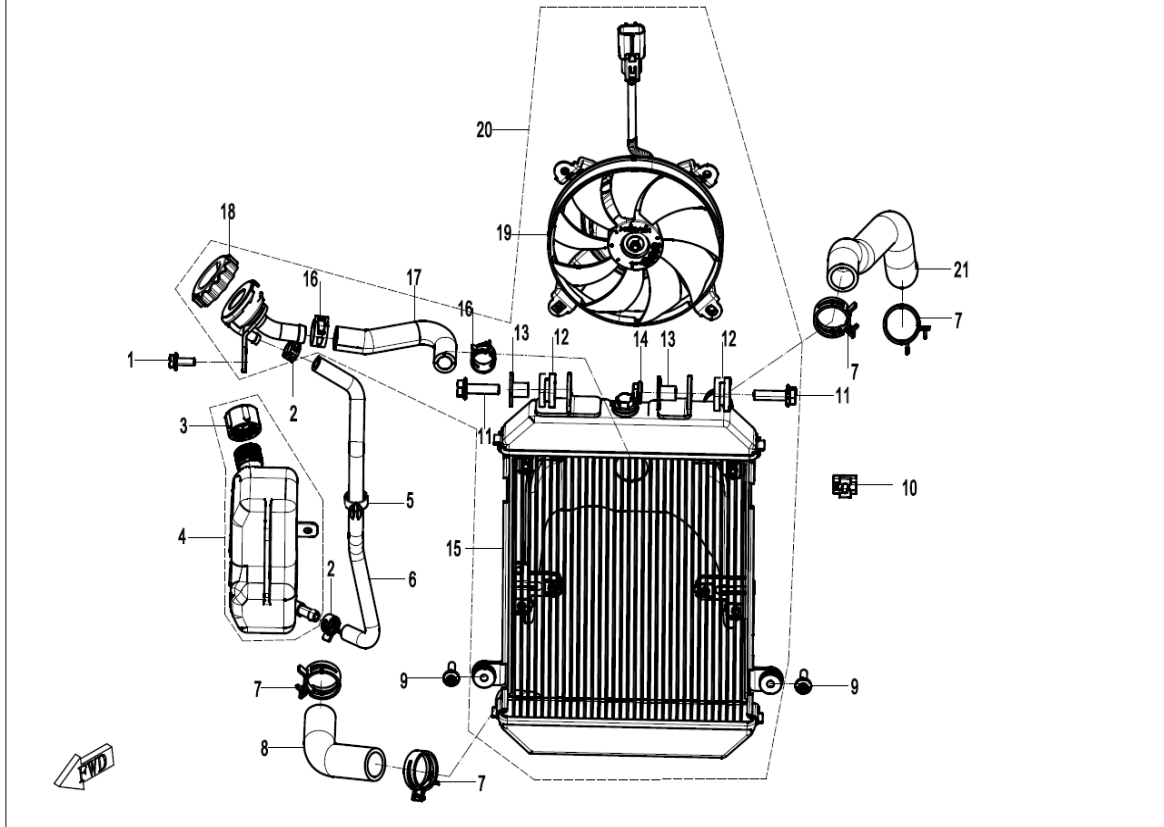
仪表总成/DASHBOARD ASSY



F17 DASHBOARD

Item No.	Parts Number	Parts Name(EN)	Qty	Specification
01	6AQV-171000-7100	DASHBOARD	1	
02	30102-060020870	INNER HEX SCREW M6×20	2	M6×20

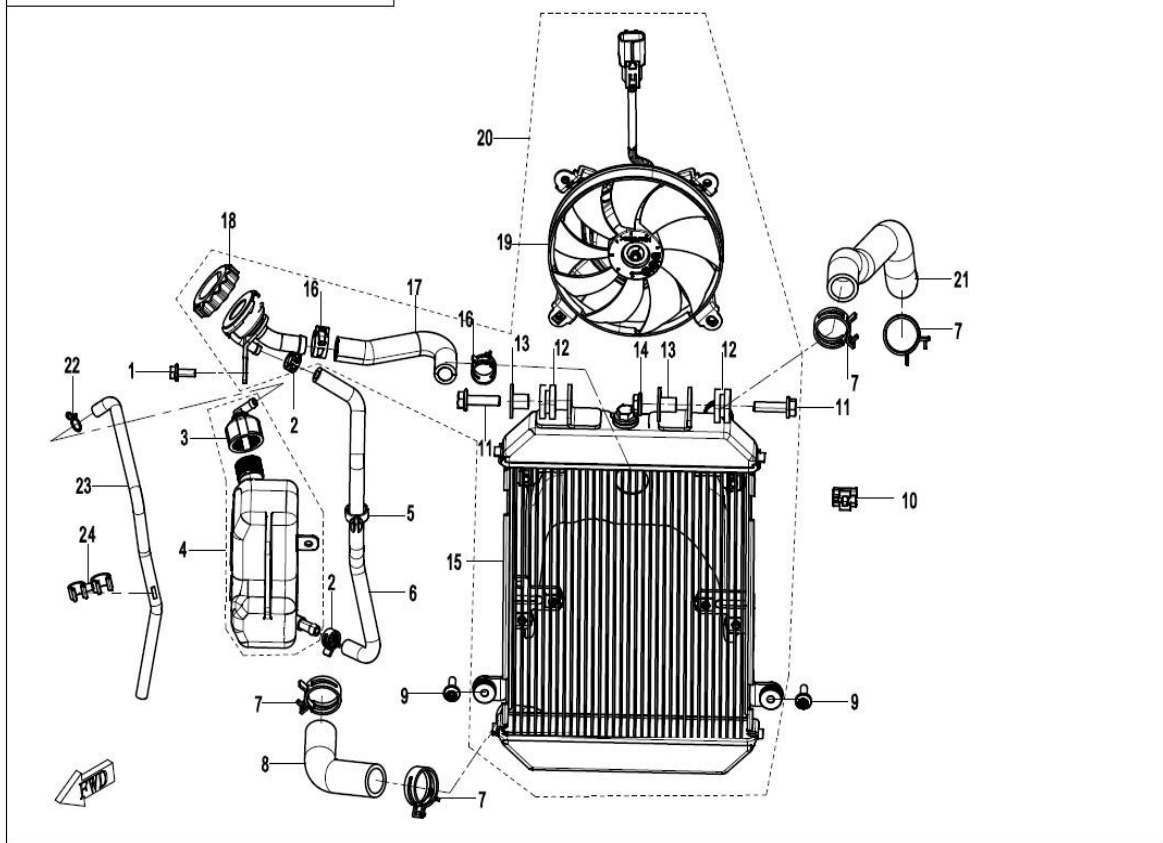
冷却系统总成/COOLING SYSTEM ASSY



F18-V1 COOLING SYSTEM

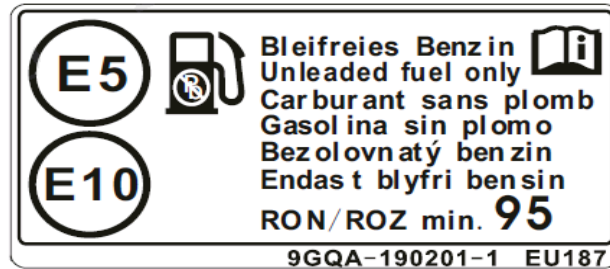
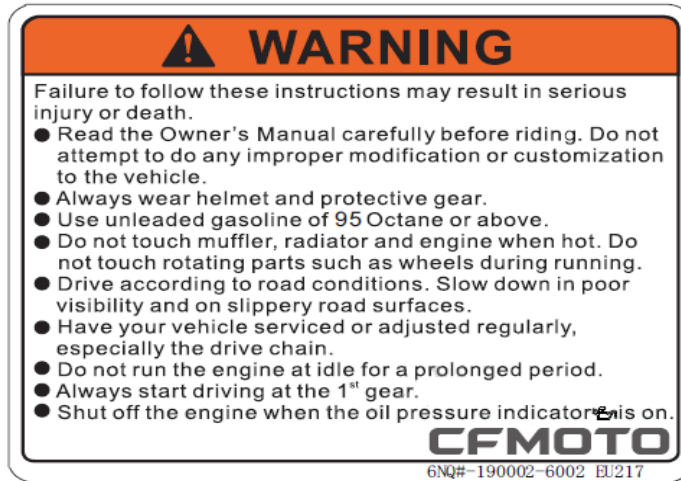
Item No.	Parts Number	Parts Name(EN)	Qty	Specification
1	30006-060016810	BOLT	1	M6×16
2	30601-212570	CLAMP	2	
3	6AQV-180110-4000	RESERVOIR CAP ASSY	1	
4	6AQV-180100-7100	RESERVOIR ASSY	1	
5	A000-050015	WIRE CLIP, FRONT BRAKE FLUID HOSE	1	
6	6AQV-180003-7100	RESERVOIR CONNECTING PIPE	1	
7	30601-229060	CLAMP	4	
8	6AQV-180002-7100	RADIATOR WATER OUTLET HOSE	1	
9	6WWV-047002-5000	INNER HEX SCREW M6x25	2	
10	CFCV-CAC002-2000-M1	CLIP	1	
11	30006-080030870	BOLT	2	M8×30
12	A000-180005	RADIATOR SHOCK ABSORBER RUBBER 2	2	
13	A000-180010-20000	RADIATOR RUBBER DAMPER 2 BUSHING	2	
14	30202-080110	NUT	1	GB6177_M8_TRIVALENT CHROMIUM
15	6AQV-181100-7101	RADIATOR ASSY	1	
16	30601-220050	CLAMP B20	2	B20
17	6AQV-181300-7100	TUBE	1	
18	6AQV-181500-7100	FILLER CAP ASSY	1	
19	6AQV-181200-7100	FAN MOTOR ASSY	1	
20	6AQV-181000-7101	RADIATOR FAN ASSY	1	
21	6AQV-180001-7100	RADIATOR WATER INLET HOSE	1	

冷却系统总成/COOLING SYSTEM ASSY



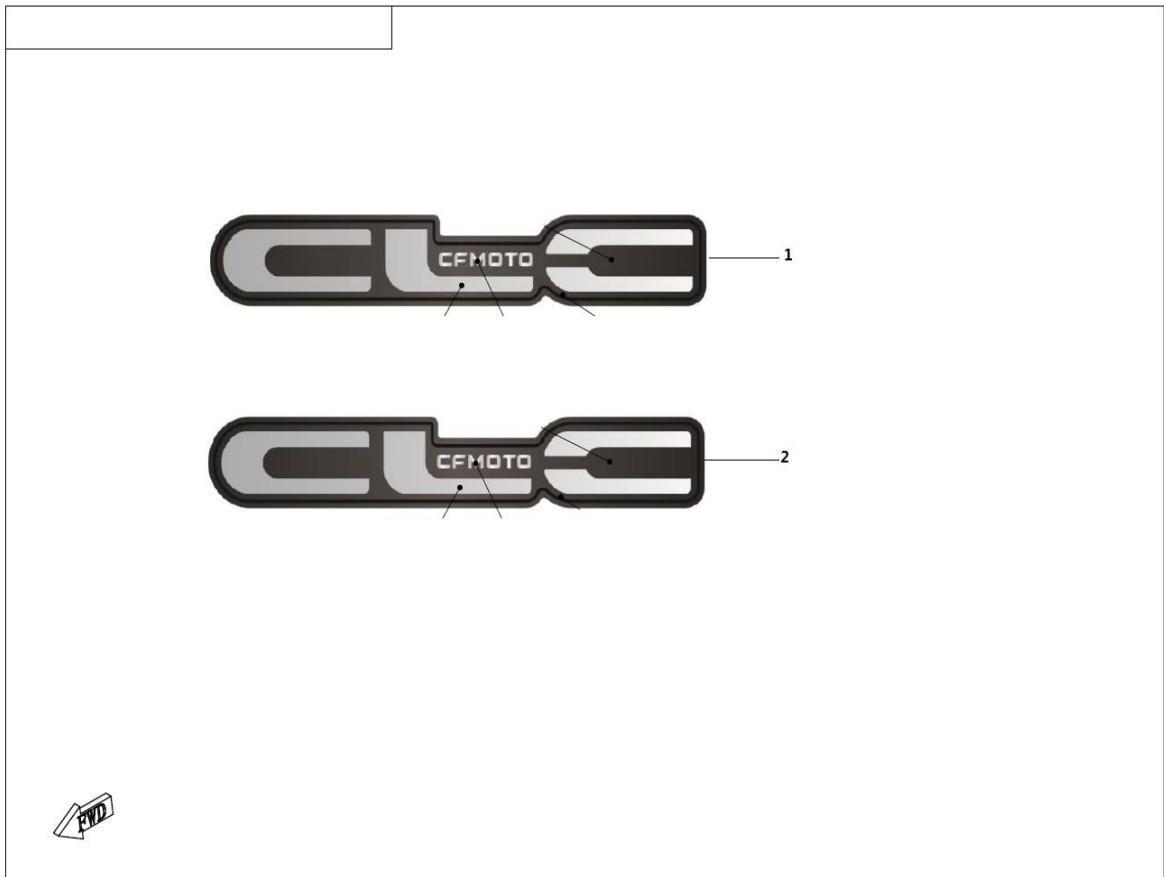
F18-V2 COOLING SYSTEM

Item No.	Parts Number	Parts Name(EN)	Qty	Specification
1	30006-060016810	BOLT	1	M6×16
2	30601-212570	CLAMP	2	
3	6AQV-180110-7100	RESERVOIR CAP ASSY	1	
4	6AQV-180100-7101	RESERVOIR ASSY	1	
5	A000-050015	WIRE CLIP, FRONT BRAKE FLUID HOSE	1	
6	6AQV-180003-7100	RESERVOIR CONNECTING PIPE	1	
7	30601-229060	CLAMP	4	
8	6AQV-180002-7100	RADIATOR WATER OUTLET HOSE	1	
9	6WVV-047002-5000	INNER HEX SCREW M6x25	2	
10	CFCV-CAC002-2000-M1	CLIP	1	
11	30006-080030870	BOLT	2	M8×30
12	A000-180005	RADIATOR SHOCK ABSORBER RUBBER 2	2	
13	A000-180010-20000	RADIATOR RUBBER DAMPER 2 BUSHING	2	
14	30202-080110	NUT	1	GB6177_M8_TRIVALENT CHROMIUM
15	6AQV-181100-7101	RADIATOR ASSY	1	
16	30601-220050	CLAMP B20	2	B20
17	6AQV-181300-7100	TUBE	1	
18	6AQV-181500-7100	FILLER CAP ASSY	1	
19	6AQV-181200-7100	FAN MOTOR ASSY	1	
20	6AQV-181000-7101	RADIATOR FAN ASSY	1	
21	6AQV-180001-7100	RADIATOR WATER INLET HOSE	1	
22	30601-110010	CLAMP	1	A10
23	6AQV-180004-7100	RESERVOIR OVERFLOW HOSE	1	
24	6AQV-180005-7100	CLIP	1	



F19-1 WARNING DECAL

Item No.	Parts Number	Parts Name(EN)	Qty	Specification
1	6NQ#-190002-6002	SAFETY WARNING INSTRUCTION LABEL	1	
2	9GQA-190201-10000	WARNING LABEL, FUEL FILLING PORT	1	



F19-2 FUEL TANK LABEL

Item No.	Parts Number	Parts Name(EN)	Qty	Specification
01	6AQV-190002-7100	FUEL TANK LH LABEL	1	
02	6AQV-190003-7100	FUEL TANK RH LABEL	1	

工件：左、右护板，外贴
颜色：星光黑
材质：ABS

刀模线尺寸44×8
整模线尺寸46×10



F19-3 MODEL DECAL

Item No.	Parts Number	Parts Name(EN)	Qty	Specification
01	6AQV-190006-7100-10	MODEL DECAL	2	

6AQV-190016-7300

CFMOTO CF400-10F

STATIONARY NOISE TEST INFORMATION:

Tested 93 dB(A) at 4500 rpm

Silencing System: CFMOTO

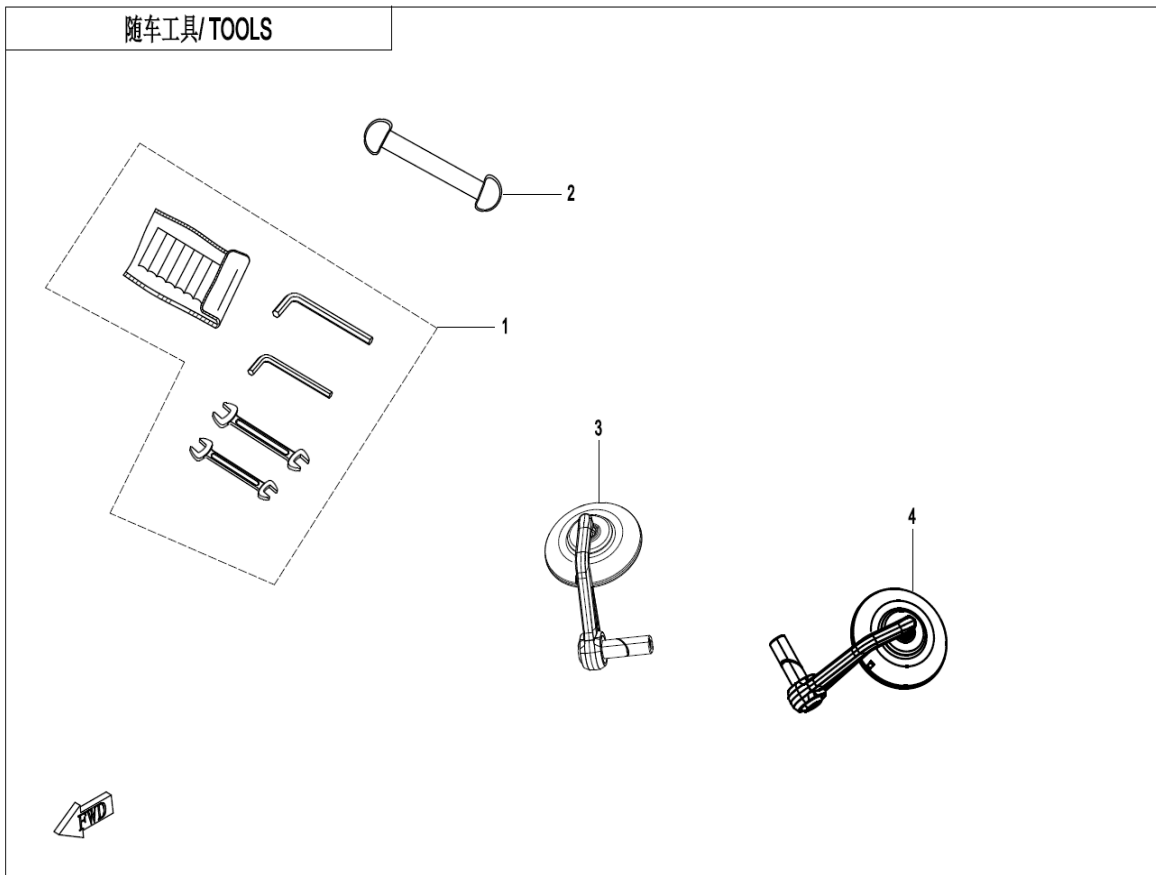
Identification: 6AQ4-MUF-00

R41-2333-23-00

F19-4 NOISE LABEL (AUSTRALIA)

Item No.	Parts Number	Parts Name(EN)	Qty	Specification
01	6AQV-190016-7300	NOISE LABEL	1	

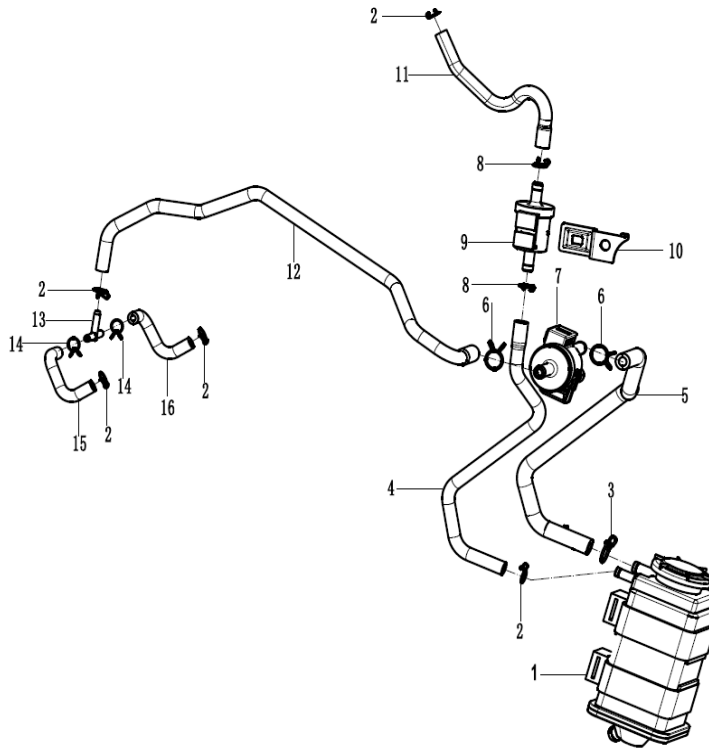
随车工具/TOOLS



F20 TOOLS

Item No.	Parts Number	Parts Name(EN)	Qty	Specification
01	6AQV-200100-1000	TOOL KIT	1	
02	8010-000012	TIE BAND ASSY	1	
03	6AQV-200400-7100	RH REARVIEW ASSY	1	
04	6AQV-200300-7100	LH REARVIEW MIRROR ASSY	1	

燃油蒸发系统/FUEL EVAPORATION SYSTEM



F36 FUEL VAPORIZATION SYSTEM

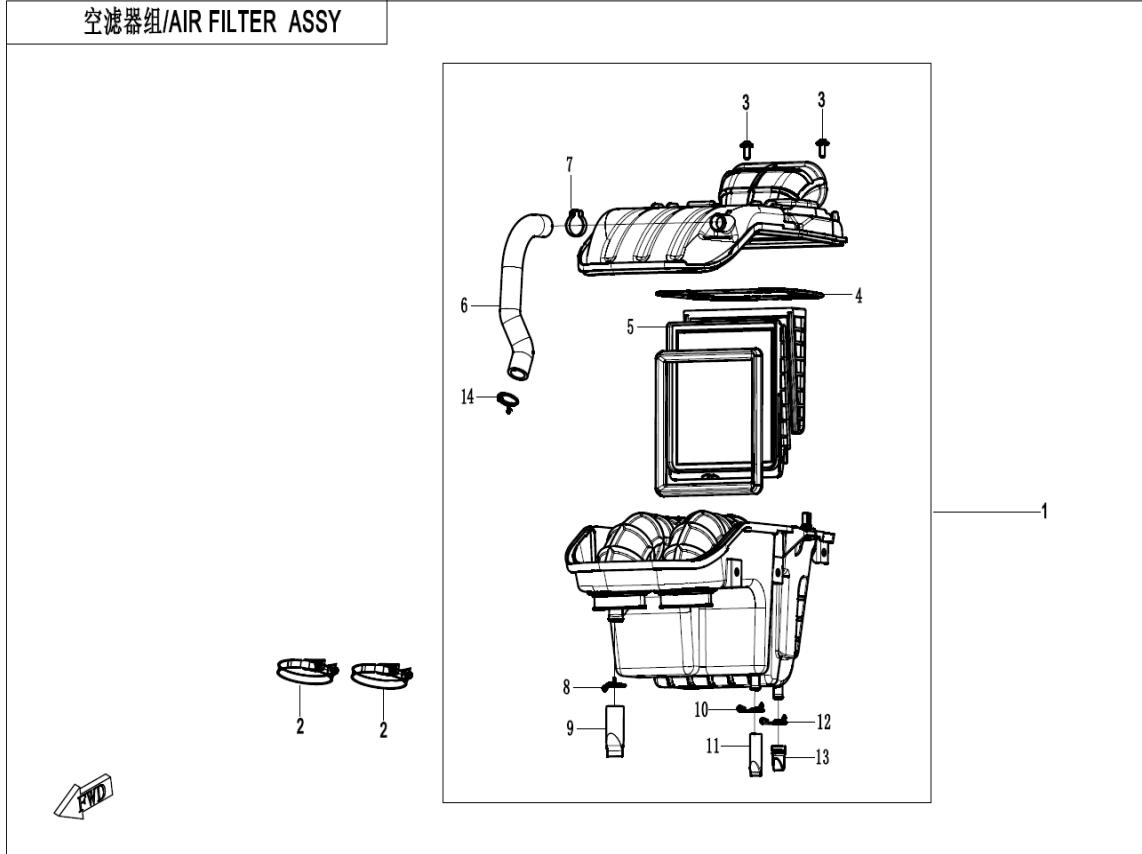
Item No.	Parts Number	Parts Name(EN)	Qty	Specification
1	6L30-360200	CANISTER	1	
2	30601-109010	CLAMP	5	A9
3	30601-111010	CLAMP	1	A11
4	6AQV-360002-7100	FUEL VAPOR ADSORPTION HOSE 2	1	
5	6AQV-360003-7100	FUEL VAPOR DESORPTION HOSE 1	1	
6	30601-112010	CLAMP	2	A12
7	1F30-172000	CANISTER MAGNETIC VALVE	1	
8	30601-110010	CLAMP	2	A10
9	6WWV-360010-5000	TWO-WAY VALVE	1	"
10	6AQV-360005-7100	TWO-WAY VALVE BRACKET	1	
11	6AQV-360001-7100	FUEL VAPOR ADSORPTION HOSE 1	1	
12	6AQV-360004-7100	FUEL VAPOR DESORPTION HOSE 2	1	
13	8010-360001	VACUUM T-JOINT	1	
14	30601-108010	CLAMP	2	A8
15	6AQV-360007-1000	LH FUEL VAPOR DESORPTION HOSE	1	
16	6AQV-360008-1000	RH FUEL VAPOR DESORPTION HOSE	1	



F38-A OWNERS MANUAL

Item No.	Parts Number	Parts Name(EN)	Qty	Specification
01	6AQV-380101-7300-12	EU OWNERS MANUAL	1	
01	6AQV-380101-7301-12	EU OWNERS MANUAL	1	
01	6AQV-380101-7302-12	OWNERS MANUAL	1	

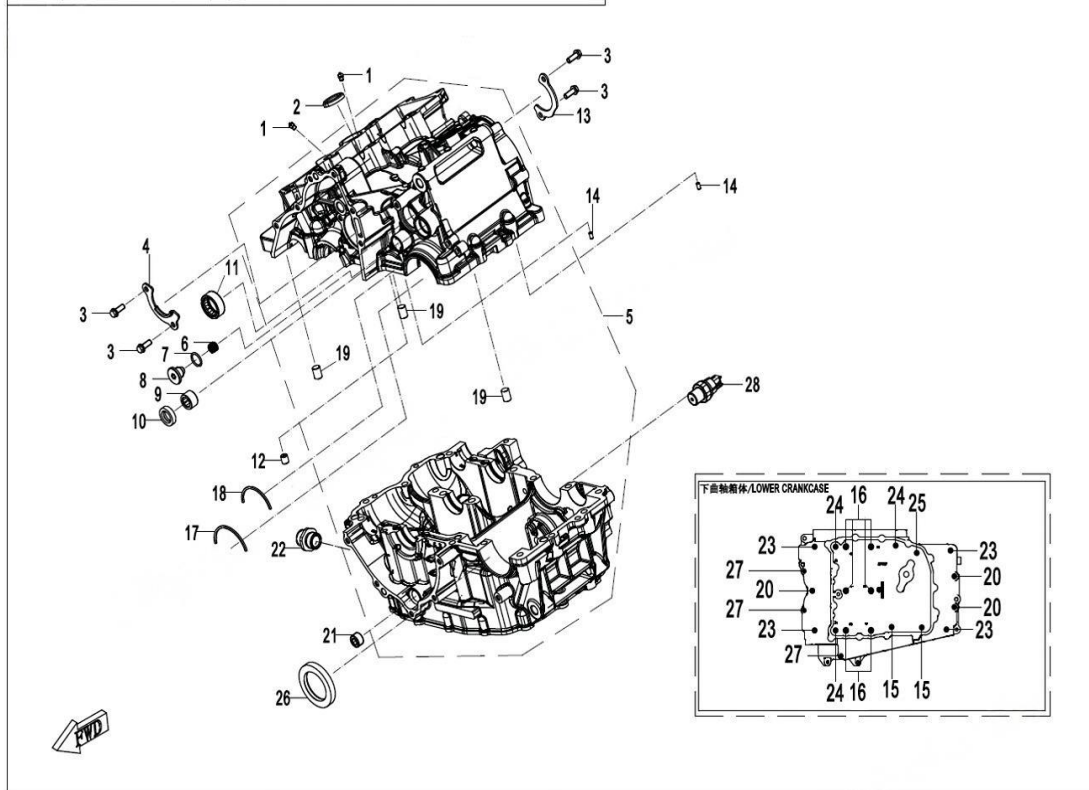
空滤器组/AIR FILTER ASSY



F41 AIR FILTER

Item No.	Parts Number	Parts Name(EN)	Qty	Specification
1	OSQV-110000-5001	AIR FILTER ASSY	1	
1	OSQV-110000-5002	AIR FILTER ASSY	1	
2	0120-110003	CLAMP 52	2	
3	6NTA-040202	INNER HEX SCREW M5x12	2	M5x12
4	OSQV-110000-5000-21	SEAL RING	1	
5	OSQV-112000-1000	FILTER ELEMENT	1	
6	OSQV-110005-5000	BREATHER HOSE, CRANKCASE	1	
7	OSQV-110000-5000-23	CLAMP	1	
7	OSQV-110000-5000-24	CLAMP	1	
8	30601-117010	CLAMP	1	A17
9	OSQV-110000-1000-24	OIL STORAGE HOSE	1	
10	30601-110010	CLAMP	1	A10
11	OSQV-110000-1000-25	OIL STORAGE HOSE	1	
12	OSQV-110000-5000-22	CLAMP	1	
13	OSQV-110000-1000-21	VALVE	1	
14	OSQV-110000-5000-20	CLAMP	1	

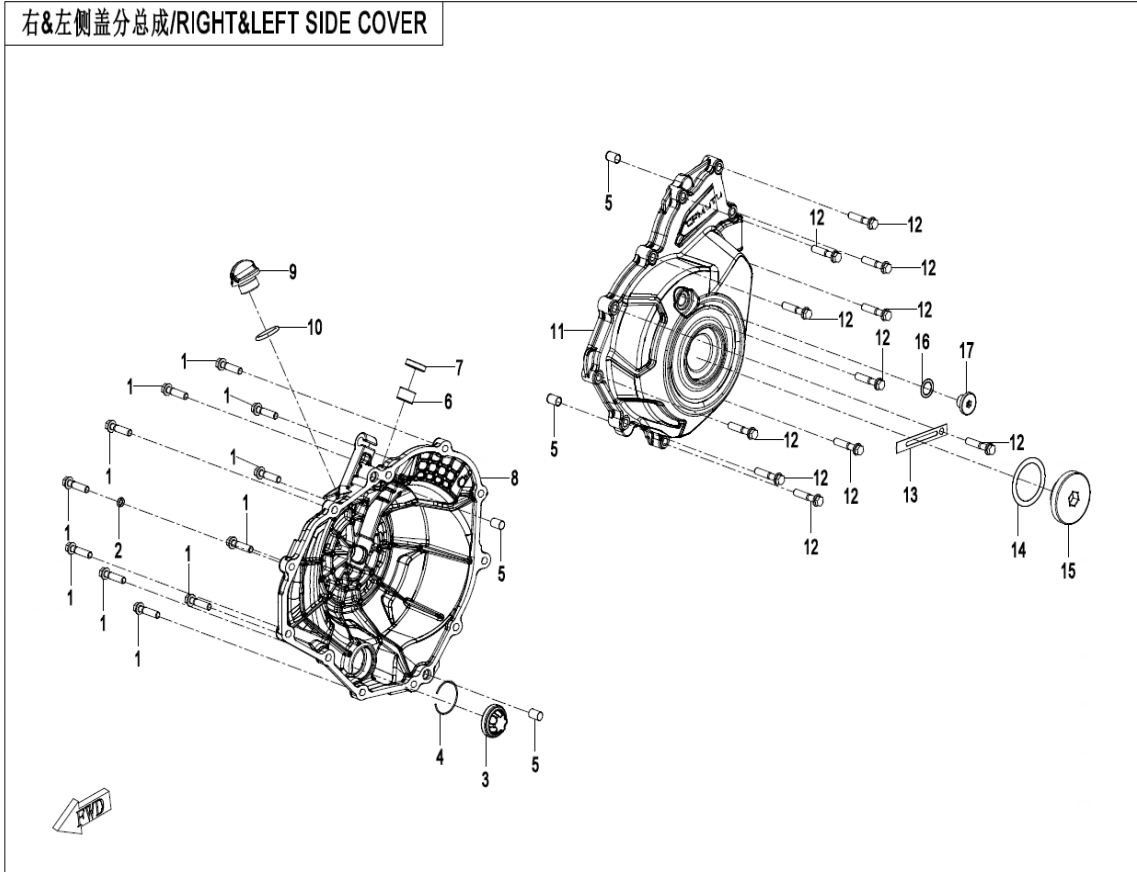
上曲轴箱分总成和下曲轴箱分总成/UPPER & LOWER CRANKCASE



E01-1 UPPER & LOWER CRANKCASE ASSY

Item No.	Parts Number	Parts Name(EN)	Qty	Specification
01	OSQV-011102-1000	OIL NOZZLE	2	Dia 0.7
02	OSQV-011104-1000	SEAL RING, FILLER	1	
03	0010-090005-0010	BOLT M6x16	4	M6x16
04	OSQV-011105-1000	BEARING GUARD, LH	1	
05	OSQV-01FZ01-1003-0BP00	CRANKCASE ASSY	1	
06	OSQV-060011-1000	BEARING SLEEVE	2	
07	OSQV-011107-1000	O-RING	1	15x1.9
08	OSQV-011108-1000	FORK SHAFT COVER	1	
09	30403-01400	NEEDLE BEARING	1	
10	1F30-011600	OIL SEAL	1	14x24x6
10	1F30-011600-10000	OIL SEAL	1	14x24x6
11	30403-02500	BEARING	1	
12	OSQV-011103-1000	RESTRICTION PLUG	1	
13	OSQV-011106-1000	BEARING GUARD, RH	1	
14	30406-00401	ROLLER NEEDLE P4x7.8	2	P4x7.8
15	OSQV-012700-1000	BOLT ASSY	2	M8x45
16	OSQV-012200-1000	BOLT ASSY	6	M9x108
17	OSQV-011004-1000	RETAINER, BEARING	1	
18	OSQV-011003-1000	RETAINER, BEARING	1	
19	30410-01000	ROLLER 10x14	3	10X14
20	OSQV-012003-1000	BOLT M8x45	3	M8x45
21	0700-012105-00001	PLUG, MAIN OIL RAIL	1	
22	0700-012106-00002	OIL FILTER BOLT	1	
23	OSQV-012002-1000	BOLT	4	M8x65
24	OSQV-012500-1000	BOLT ASSY	3	M8x105
25	OSQV-012600-1000	BOLT ASSY	1	M8x55
26	OSQV-010001-1000	OIL SEAL, COUNTERSHAFT	1	40x58x8
26	OSQV-010001-1001	COUNTERSHAFT OIL SEAL	1	
27	0010-060012-0010	BOLT M6x30	3	M6x30
28	OSQV-012400-1000	OIL PRESSURE SWITCH	1	

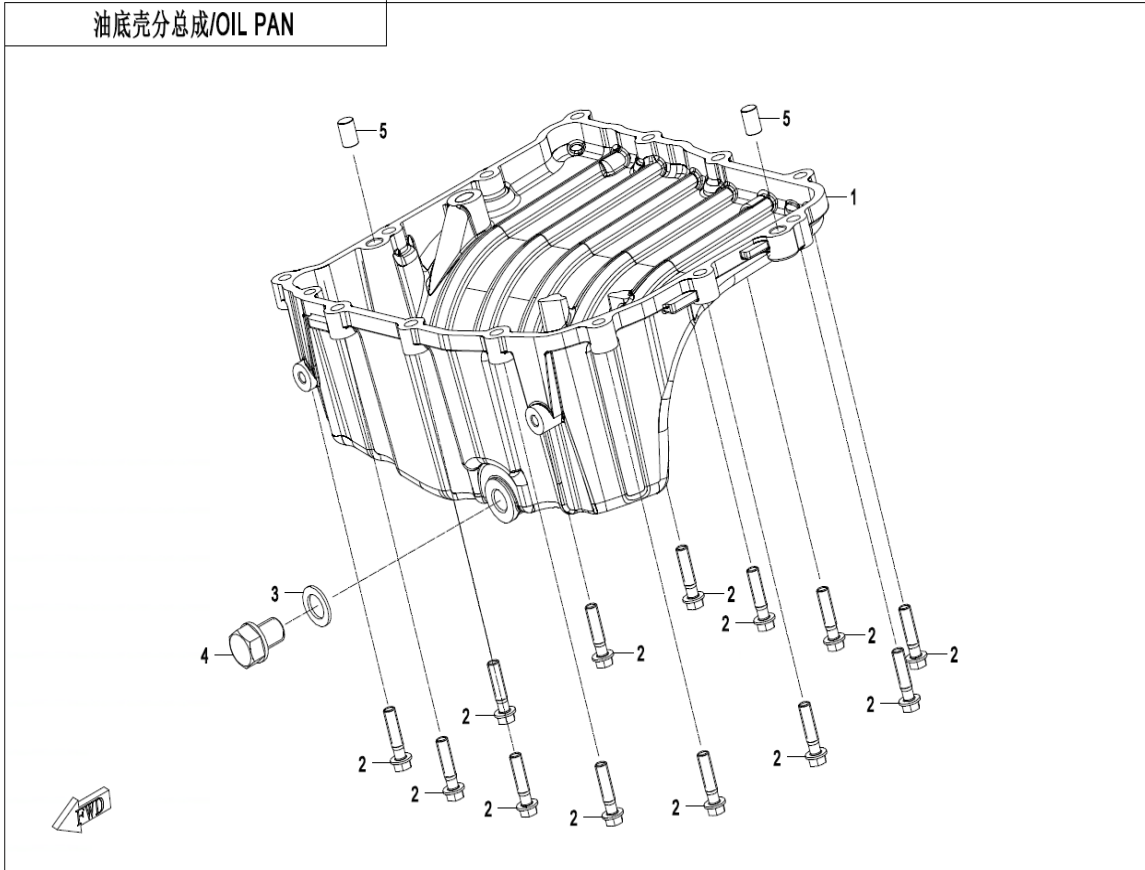
右&左侧盖分总成/RIGHT&LEFT SIDE COVER



E01-2 LEFT& RIGHT SIDE COVER

Item No.	Parts Number	Parts Name(EN)	Qty	Specification
01	0010-021017-0010	BOLT M6x25	11	M6x25
02	0700-012201	O-RING	1	5x2
03	0SQV-013100-1000-M1	VIEWER, OIL LEVEL	1	
04	0SQV-013001-1000	CIRCLIP	1	
05	30410-00800	ROLLER	4	
06	30403-01200	BEARING	1	12×16×10
07	0010-080009	OIL SEAL	1	12x20x5
08	0SQV-013010-5000-0D600	RH SIDE COVER	1	BLACK
09	0700-013008	PLUG, OIL FILLING	1	
10	0110-013030	O-RING	1	18x3.55
11	0SQV-014010-5000-0D600	LH SIDE COVER	1	BLACK
12	0010-060012-0010	BOLT M6x30	11	M6x30
13	0180-014010	WIRE CLAMP	1	
14	01A0-012003	O-RING	1	35x3.5
15	01A0-012002-0D600	FILTER COVER	1	DARK NIGHT BLACK
16	0DM0-011006	O-RING	1	13x2
17	0DM0-014003	VIEWING HOLE, TIMING INSPECTION	1	

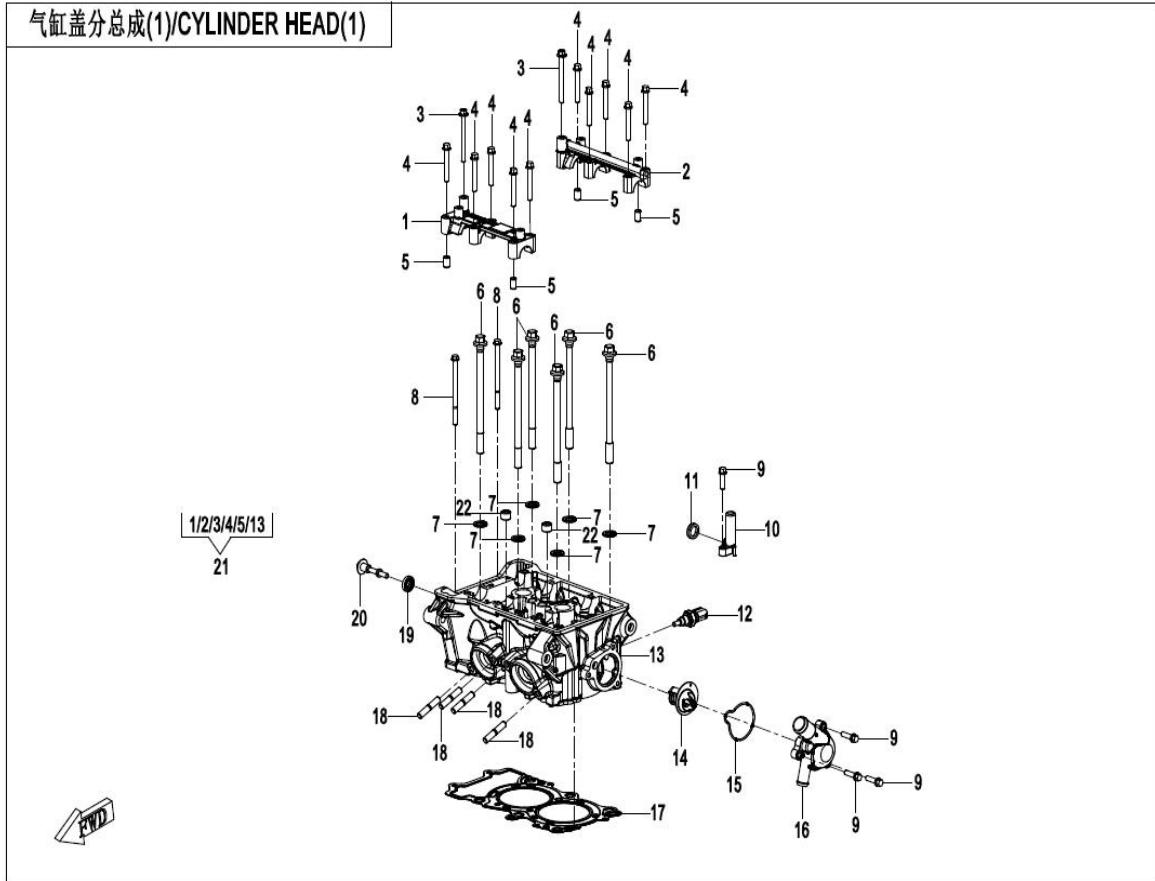
油底壳分总成/OIL PAN



E01-3 OIL PAN

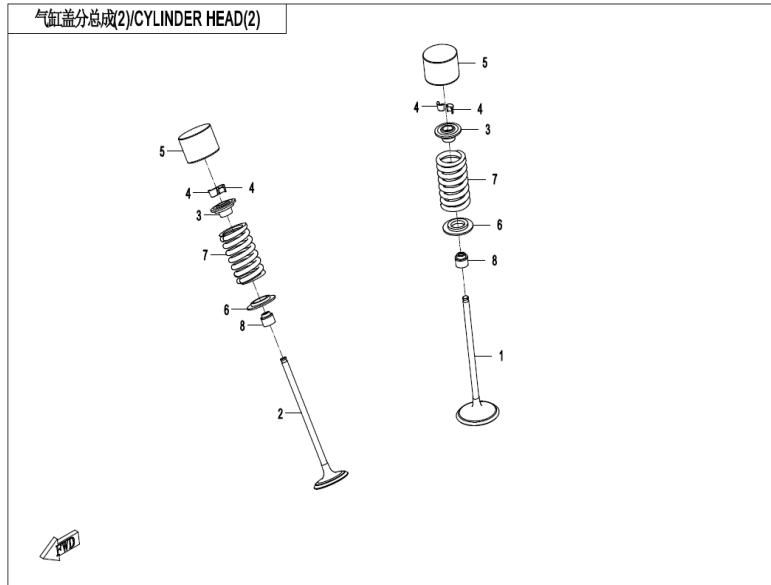
Item No.	Parts Number	Parts Name(EN)	Qty	Specification
01	0SQV-015001-1001-OBP00	OIL PAN	1	MAUD SPIRIT BLACK
02	0010-021017-0010	BOLT M6x25	13	M6x25
03	0010-021014	WASHER 12	1	12
04	0180-011500	MAGNETIC DRAIN BOLT	1	M12x1.5
05	30410-00800	ROLLER	2	

气缸盖分总成(1)/CYLINDER HEAD(1)



E02-2 CYLINDER HEAD (1)

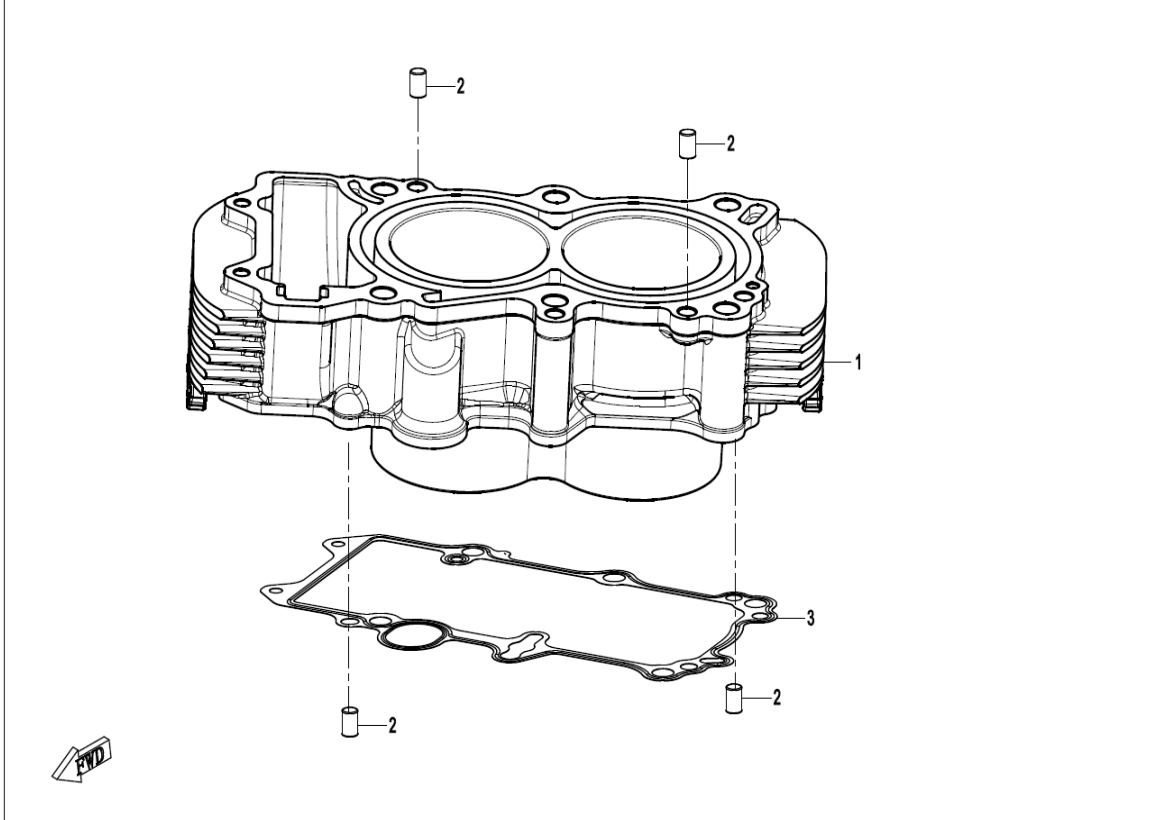
Item No.	Parts Number	Parts Name(EN)	Qty	Specification
03	0SQV-022105-1000	BOLT M6x65	2	M6x65
04	0SQV-022106-1001	HEX FLANGE BOLT	10	
05	0DM0-022201-10000	DOWEL PIN	4	
06	0SQV-022008-1000	CYLINDER HEAD BOLT	6	M10x150
07	0700-022016	WASHER 10.5x19x2.3	6	10.5x19x2.3
08	0SQV-022011-1000	BOLT	2	M6x90
09	0010-022020-00002	BOLT	4	M6x22
10	0SQV-022200-1000	CONNECTOR ASSY.	1	
11	1F30-024016	OIL SEAL, SURFACE	1	
12	018B-022810	WATER TEMPERATURE SENSOR	1	
14	0MQ0-022500	THERMOSTAT	1	
15	0SQV-022002-1000	THERMOSTAT CAP SEAL RING	1	
16	0SQV-022001-1000-10-0BP00	THERMOSTAT CAP	1	MAUD SPIRIT BLACK
17	0SQV-022300-1000	GASKET, CYLINDER HEAD	1	
18	0180-022003-00001	STUD	4	
19	0700-021200	CYLINDER HEAD COVER BOLT SEAL RING	1	
20	0DM0-022008-00001	CYLINDER HEAD DAMPING BOLT	1	
21	0SQV-022100-1003-0BP00	CYLINDER HEAD ASSY	1	
21	0SQV-022100-1006-0BP00	CYLINDER HEAD ASSY	1	MAUD SPIRIT BLACK
22	0700-012105-00001	PLUG, MAIN OIL RAIL	2	



E02-3 CYLINDER HEAD(2)

Item No.	Parts Number	Parts Name(EN)	Qty	Specification
01	0SQV-022004-1000	VALVE, INTAKE	4	
02	0SQV-022005-1000	VALVE, EXHAUST	4	
03	0MQ0-022003	UPPER SEAT, VALVE SPRING	8	
04	0700-022004	LOCK CLIP, VALVE	16	
05	0MQ0-022005-0370	TAPPET	8	T=3.94
05	0MQ0-022005-0380	TAPPET	8	T=3.96
05	0MQ0-022005-0390	TAPPET	8	T=3.98
05	0MQ0-022005-0400	TAPPET	8	T=4.00
05	0MQ0-022005-0410	TAPPET	8	T=4.02
05	0MQ0-022005-0420	TAPPET	8	T=4.04
05	0MQ0-022005-0430	TAPPET	8	T=4.06
05	0MQ0-022005-0440	TAPPET	8	T=4.08
05	0MQ0-022005-0450	TAPPET	8	T=4.10
05	0MQ0-022005-0460	TAPPET	8	T=4.12
05	0MQ0-022005-0030	TAPPET	8	T=3.26
05	0MQ0-022005-0470	TAPPET	8	T=4.14
05	0MQ0-022005-0040	TAPPET	8	T=3.28
05	0MQ0-022005-0480	TAPPET	8	T=4.16
05	0MQ0-022005-0050	TAPPET	8	T=3.30
05	0MQ0-022005-0490	TAPPET	8	T=4.18
05	0MQ0-022005-0060	TAPPET	8	T=3.32
05	0MQ0-022005-0070	TAPPET	8	T=3.34
05	0MQ0-022005-0080	TAPPET	8	T=3.36
05	0MQ0-022005-0090	TAPPET	8	T=3.38
05	0MQ0-022005-0100	TAPPET	8	T=3.40
05	0MQ0-022005-0110	TAPPET	8	T=3.42
05	0MQ0-022005-0120	TAPPET	8	T=3.44
05	0MQ0-022005-0010	TAPPET	8	T=3.22
05	0MQ0-022005-0020	TAPPET	8	T=3.24
05	0MQ0-022005-0130	TAPPET	8	T=3.46
05	0MQ0-022005-0140	TAPPET	8	T=3.48
05	0MQ0-022005-0150	TAPPET	8	T=3.50
05	0MQ0-022005-0160	TAPPET	8	T=3.52
05	0MQ0-022005-0170	TAPPET	8	T=3.54
05	0MQ0-022005-0180	TAPPET	8	T=3.56
05	0MQ0-022005-0190	TAPPET	8	T=3.58
05	0MQ0-022005-0200	TAPPET	8	T=3.60
05	0MQ0-022005-0210	TAPPET	8	T=3.62
05	0MQ0-022005-0220	TAPPET	8	T=3.64
05	0MQ0-022005-0230	TAPPET	8	T=3.66
05	0MQ0-022005-0240	TAPPET	8	T=3.68
05	0MQ0-022005-0250	TAPPET	8	T=3.70
05	0MQ0-022005-0260	TAPPET	8	T=3.72
05	0MQ0-022005-0270	TAPPET	8	T=3.74
05	0MQ0-022005-0280	TAPPET	8	T=3.76
05	0MQ0-022005-0290	TAPPET	8	T=3.78
05	0MQ0-022005-0300	TAPPET	8	T=3.80
05	0MQ0-022005-0310	TAPPET	8	T=3.82
05	0MQ0-022005-0320	TAPPET	8	T=3.84
05	0MQ0-022005-0330	TAPPET	8	T=3.86
05	0MQ0-022005-0340	TAPPET	8	T=3.88
05	0MQ0-022005-0350	TAPPET	8	T=3.90
05	0MQ0-022005-0360	TAPPET	8	T=3.92
06	0SQV-022006-2000	LOWER SEAT, VALVE SPRING	8	
07	0SQV-022003-1000-10	VALVE SPRING	8	
08	0700-022400-1000	SEAL RING, VALVE STEM	8	

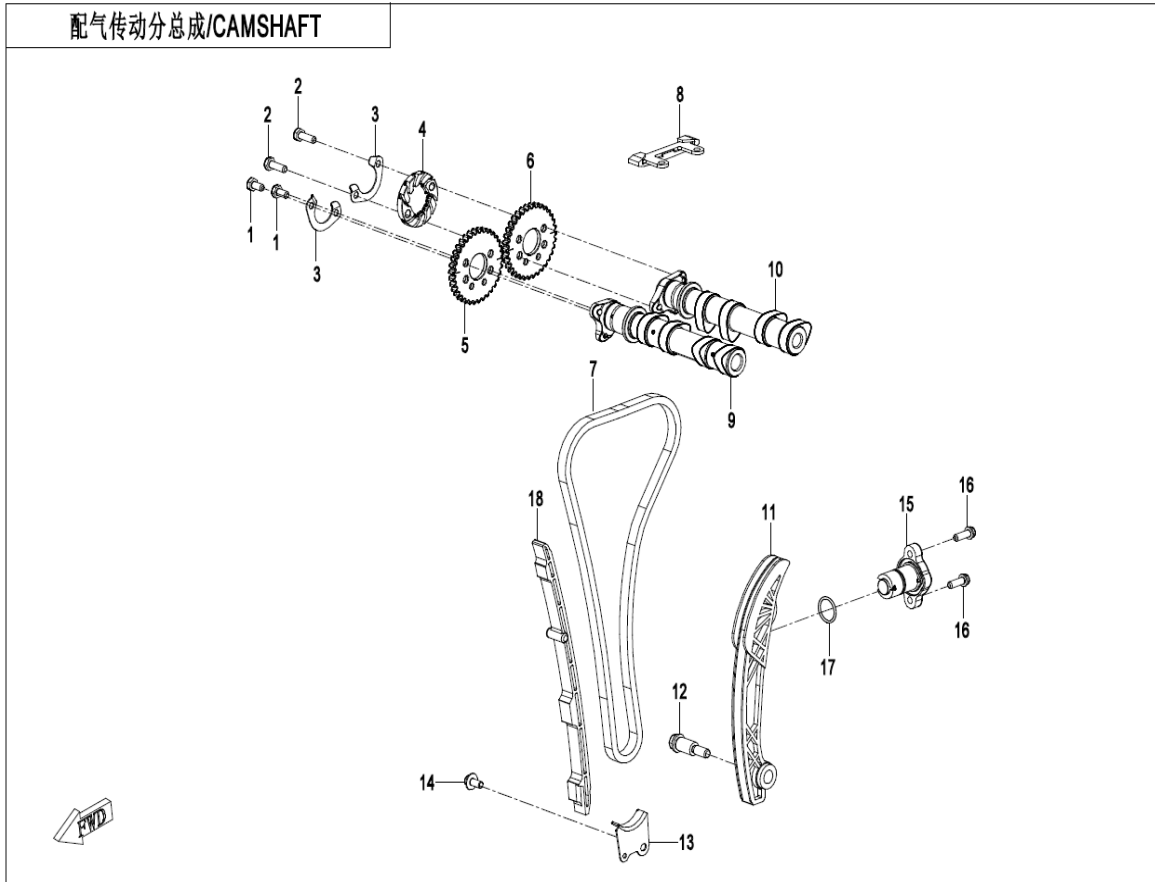
气缸盖总成(4)/CYLINDER HEAD(4)



E02-4 CYLINDER HEAD (3)

Item No.	Parts Number	Parts Name(EN)	Qty	Specification
01	0SQV-023010-5000-0BP00	CYLINDER BODY ASSY	1	MAUD SPIRIT BLACK
02	30410-00800	ROLLER	4	
03	0SQV-023002-1000	GASKET, CYLINDER	1	

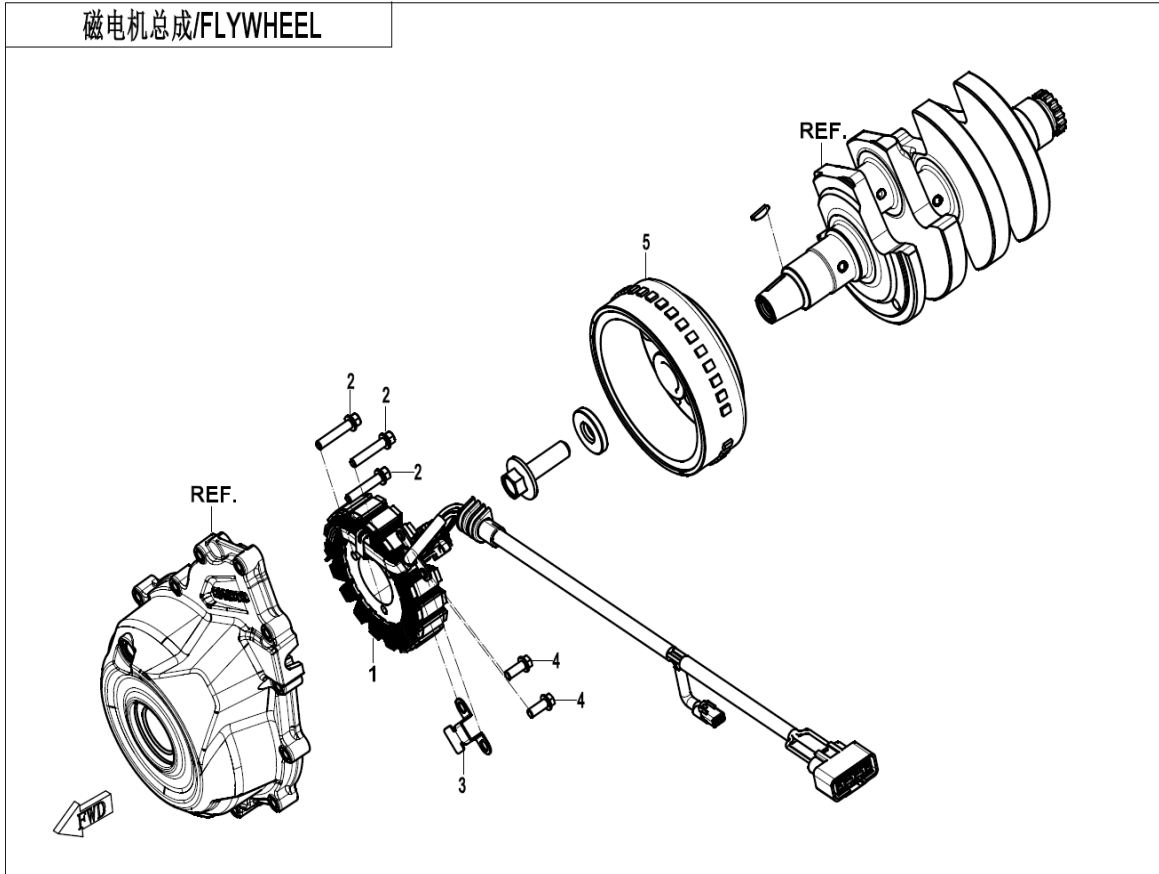
配气传动分总成/CAMSHAFT



E02-5 CAMSHAFT

Item No.	Parts Number	Parts Name(EN)	Qty	Specification
01	30004-060012150	BOLT	2	
02	1F30-024012	BOLT M6x18	2	M6x18
03	0700-024003	RETAINER	2	
04	0SQV-024013-1001	CENTRIFUGAL WHEEL	1	
05	0SQV-024002-1000	AIR OUTLET TIMING SPROCKET	1	
06	0SQV-024001-1000	AIR INLET TIMING SPROCKET	1	
07	0SQV-024200-1000	TIMING CHAIN	1	
08	0SQV-024100-1000	CHAIN GUIDE BLOCK	1	
09	0SQV-024600-2000	CAMSHAFT,EXHAUST	1	
10	0SQV-024500-2000	CAMSHAFT,INLET	1	
11	0SQV-024005-1001	TENSION PLATE	1	
12	0SQV-024009-1000	PIN SHAFT	1	
13	0SQV-024008-1000	PLATE, TIMING CHAIN	1	
14	0010-021019-0010	BOLT M6x12	1	M6x12
15	0SQV-024400-1001	HYDRAULIC TENSIONOR	1	
16	0010-023010-0010	BOLT M6x20	2	M6x20
17	0SQV-024401-1000	HYDRAULIC TENSIONER SEAL RING	1	
18	0SQV-024003-1001	CHAIN GUARD	1	

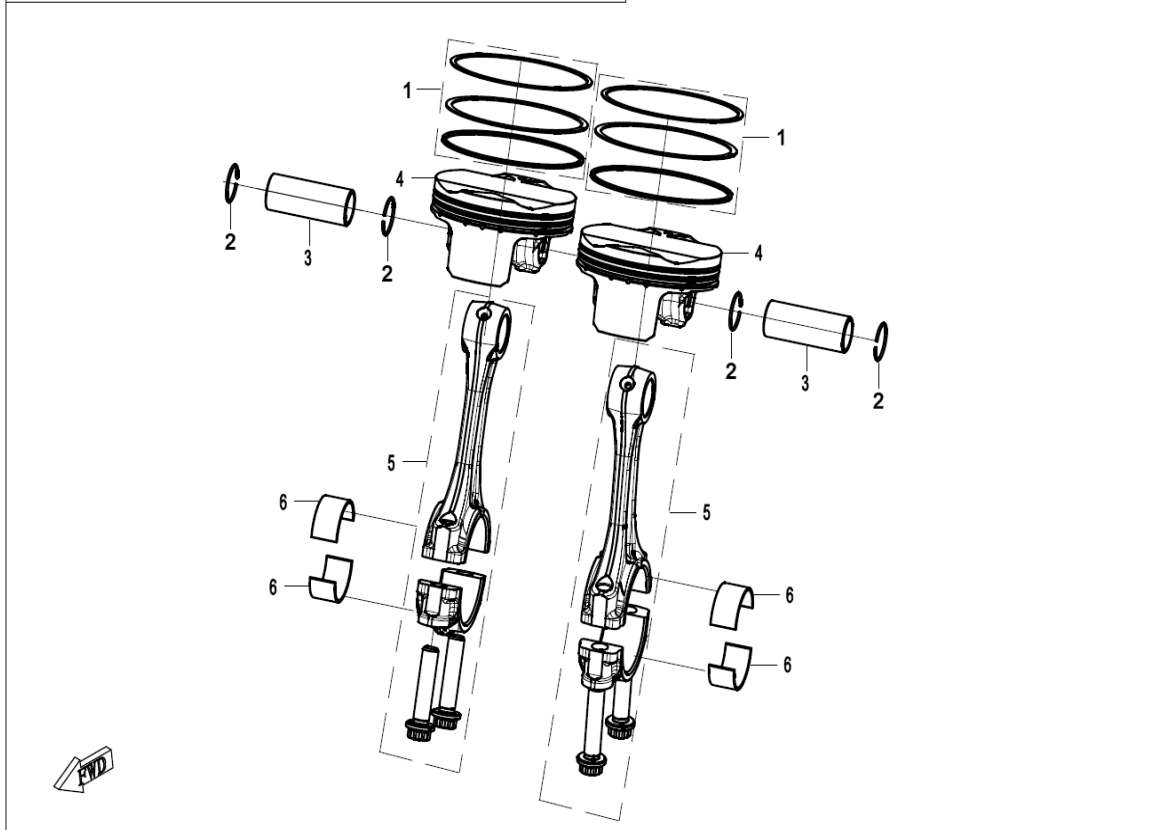
磁电机总成/FLYWHEEL



E03 MAGNETO

Item No.	Parts Number	Parts Name(EN)	Qty	Specification
1	0SQV-032000-5000	MAGNETO STATOR ASSY	1	
2	0010-021017-0010	BOLT M6x25	3	M6x25
3	0SQV-032100-1000	STATER WIRE PRESS PLATE	1	
4	0010-030002-00001	BOLT	2	
5	0SQV-031000-1000-M1	MAGNETO ROTOR	1	

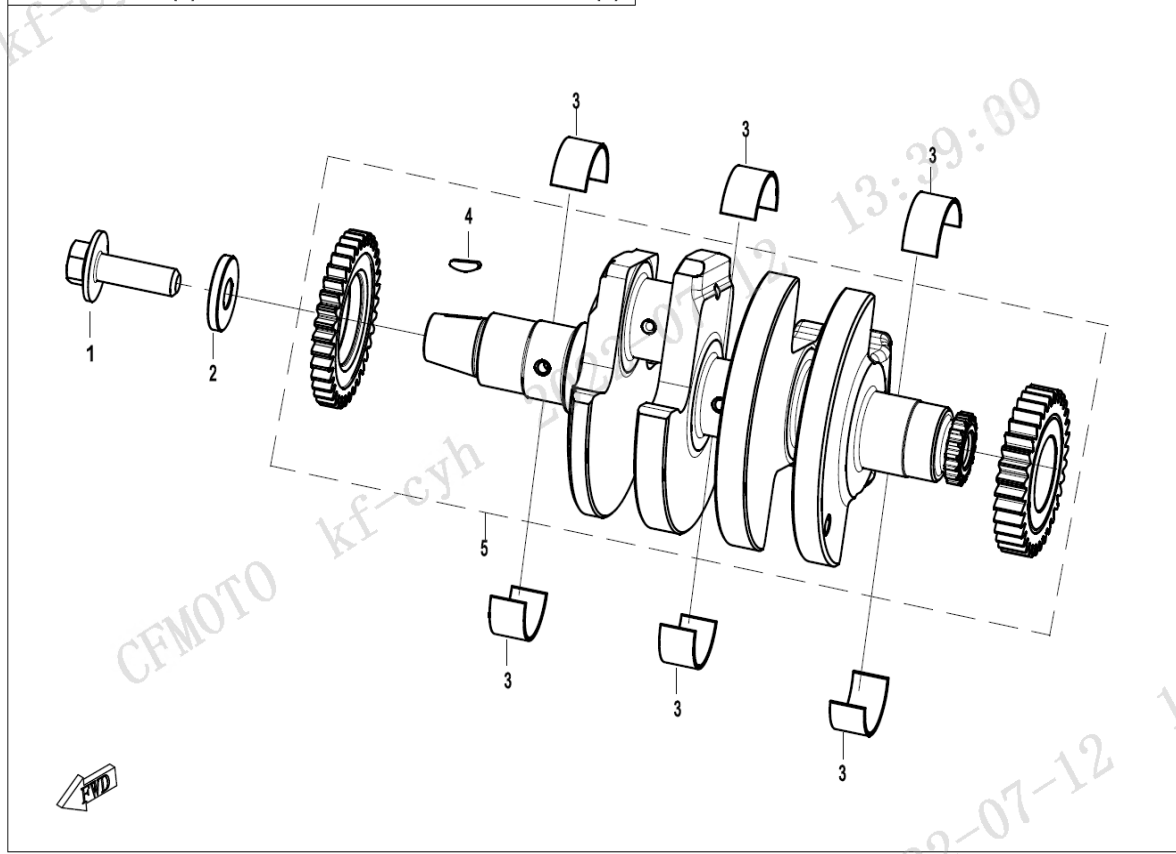
曲轴连杆总成(1)/CRANKSHAFT &CONNECTING ROD(1)



E04-1 CRANKSHAFT &CONNECTING ROD (1)

Item No.	Parts Number	Parts Name(EN)	Qty	Specification
1	0SQV-040110-10A0	PISTON RING KIT	2	
2	0110-040006-0050	CIRCLIP, PISTON PIN	4	
3	0SQV-040008-1000	PISTON PIN	2	
4	0SQV-040007-1001-Q0-00001	PISTON	2	MARK I
4	0SQV-040007-1001-Q0-00002	PISTON	2	MARK 2
5	0SQV-042000-1001-Q0-00001	CONNECTING ROD	2	MARK 1
5	0SQV-042000-1001-Q0-00002	CONNECTING ROD	2	MARK 2
5	0SQV-042000-1002-Q0-00002	CONNECTING ROD ASSY	2	MARK 2
5	0SQV-042000-1002-Q0-00001	CONNECTING ROD ASSY	2	MARK 1
6	0SQV-040009-1000-Q0-00001	PLAIN BEARING, CONNECTING ROD	4	RED
6	0SQV-040009-1000-Q0-00002	PLAIN BEARING, CONNECTING ROD	4	BLACK
6	0SQV-040009-1000-Q0-00003	PLAIN BEARING, CONNECTING ROD	4	BLUE

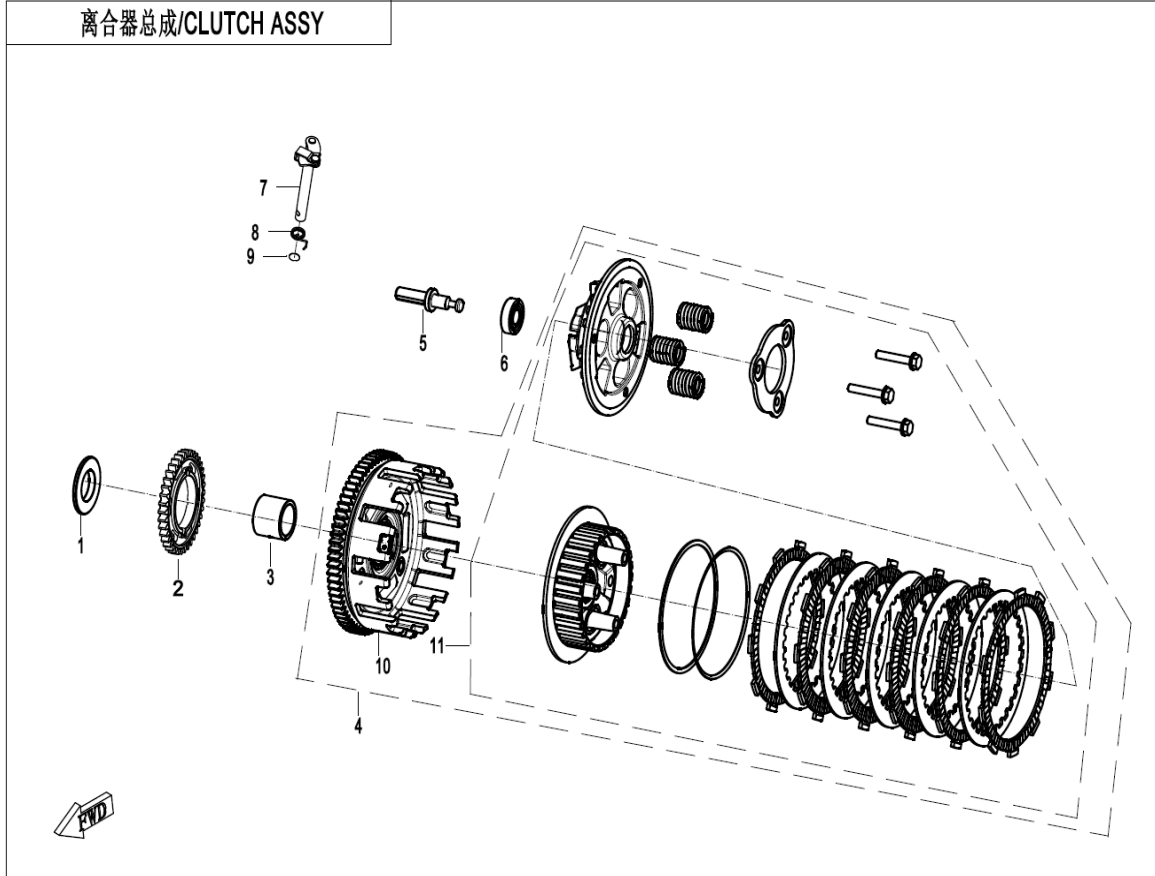
曲轴连杆总成(2)/CRANKSHAFT &CONNECTING ROD(2)



E04-2 CRANKSHAFT & CONNECTING ROD (2)

Item No.	Parts Number	Parts Name(EN)	Qty	Specification
1	0SQV-040001-1000	BOLT M12x1.25x40	1	M12x1.25x40
2	0700-040002-00001	WASHER	1	12.5x33x5
3	0SQV-011001-1000-Q0-00001	PLAIN BEARING, MAIN SHAFT	6	RED
3	0SQV-011001-1000-Q0-00002	PLAIN BEARING, MAIN	6	BLACK
3	0SQV-011001-1000-Q0-00003	PLAIN BEARING, MAIN SHAFT	6	BLUE
4	0180-040007	"WOODRUFF KEY	1	"
5	0SQV-041000-1000-Q1-00001	CRANKSHAFT ASSY	1	A
5	0SQV-041000-1000-Q1-00002	CRANKSHAFT ASSY	1	B
5	0SQV-041000-1000-Q0-00001	CRANKSHAFT ASSY	1	A
5	0SQV-041000-1000-Q0-00002	CRANKSHAFT ASSY	1	B

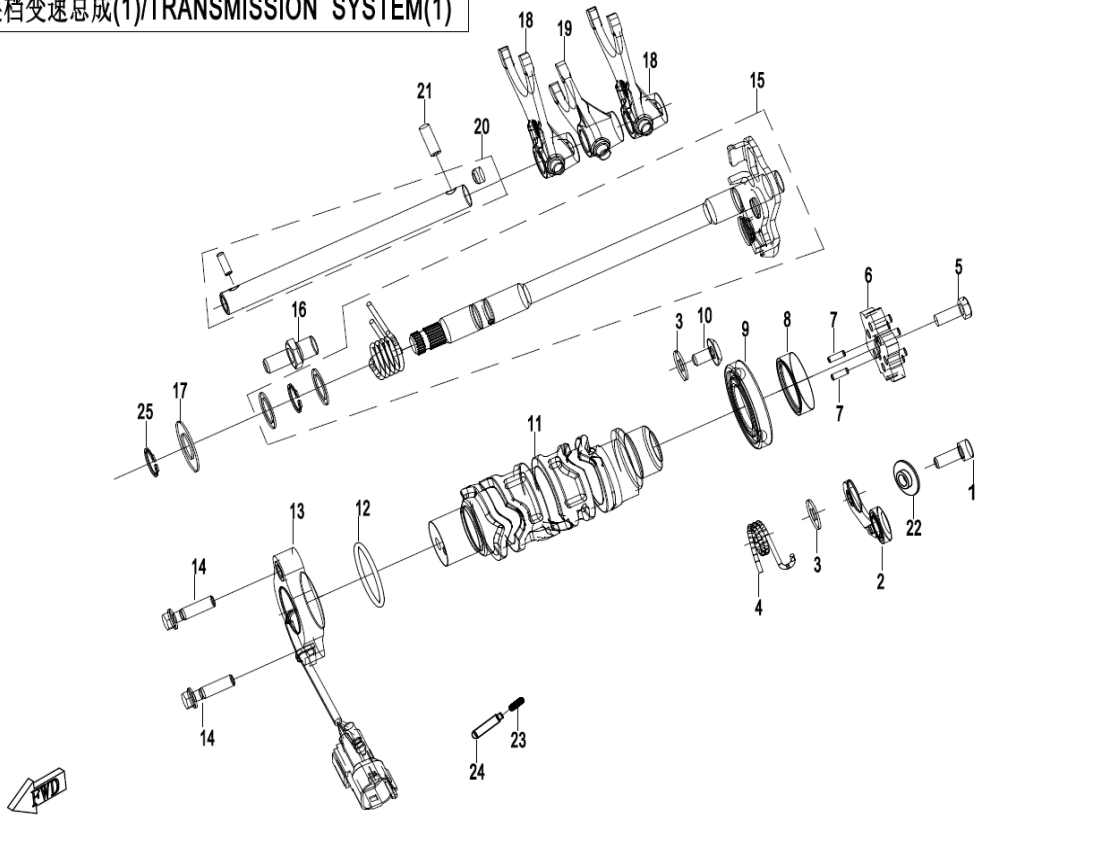
离合器总成/CLUTCH ASSY



E05-A CLUTCH (FCC)

Item No.	Parts Number	Parts Name(EN)	Qty	Specification
01	0SQV-050001-1000	WASHER	1	25.2x46x5.8
02	0SQV-050005-1001	DRIVE GEAR, OIL PUMP	1	
02	0SQV-050005-1000-10	DRIVE GEAR, OIL PUMP	1	
03	0SQV-050002-1000	AXLE SLEEVE, CLUTCH	1	
04	0SQV-051000-1001-Q0-00002	CLUTCH SUB ASSY	1	MARK B
04	0SQV-051000-1001-Q0-00001	CLUTCH SUB ASSY	1	MARK A
05	0SQV-050004-1001	ROD	1	
06	30400-01207	ROLLER BEARING	1	
07	0SQV-050100-1000	CLUTCH CONTROL SHAFT ASSY	1	
08	0700-013006-00001	RETURN SPRING, CLUTCH CONTROL LEVER	1	
09	0700-013007	WASHER	1	12.5x18.5x0.6
10	0SQV-051100-1002	PRIMARY DRIVEN GEAR ASSY	1	
11	0SQV-051200-1000	CENTRAL SLEEVE ASSY	1	

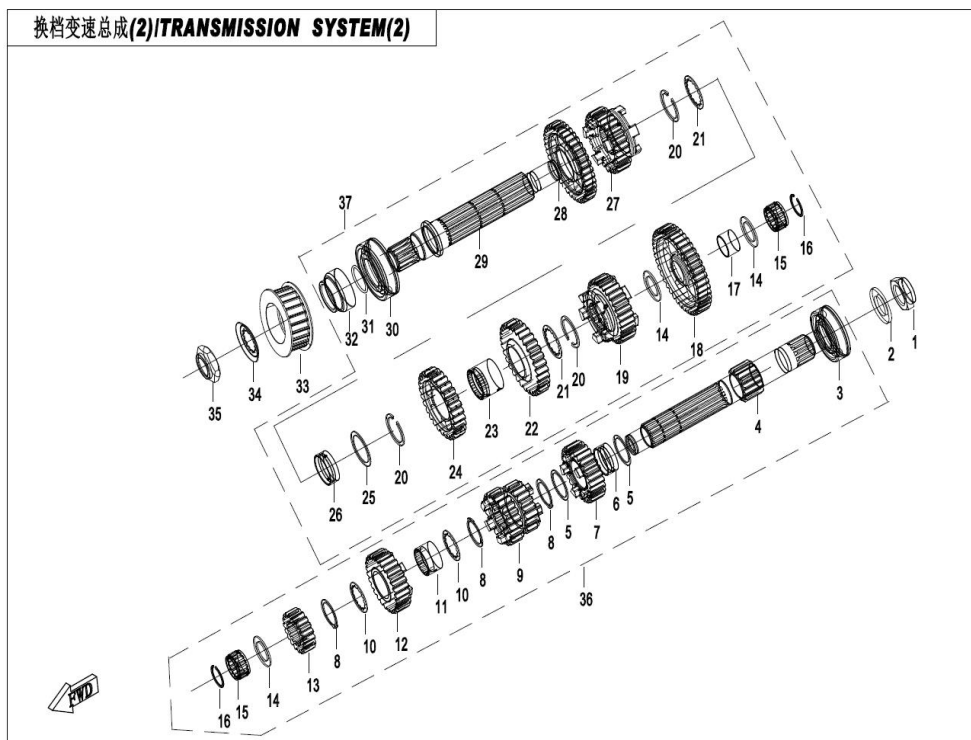
换挡变速总成(1)/TRANSMISSION SYSTEM(1)



E06-1 TRANSMISSION SYSTEM (1)

Item No.	Parts Number	Parts Name(EN)	Qty	Specification
1	30102-060016810	SCREW	1	M6×16
2	OSQV-065100-1000	SPRING, ROCKER ARM	1	
3	0700-064001	WASHER	2	6.3x16.3x1.2
4	ODM0-065001	SPRING, SWING ARM, GEARSHIFT	1	
5	30004-060016110	BOLT M6x16	1	M6x16
6	OSQV-064100-1002	GEARSHIFT DRUM CAM ASSY	1	
7	30406-00303	NEEDLE BEARING	2	
8	OSQV-064002-1000	SHIFT DRUM BUSHING	1	
9	30400-02505	BEARING	1	
10	0010-090005-0010	BOLT M6x16	1	M6x16
11	OSQV-064001-1001	SHIFT DRUM	1	
12	OSQV-060012-1000	O-RING	1	31x2.5
13	OSQV-060400-1000	GEAR SENSOR ASSY	1	
14	0010-021017-0010	BOLT M6x25	2	M6x25
15	OSQV-063000-1000	GEARSHIFT ROD	1	
15	OSQV-063000-1003	GEARSHIFT LEVER ASSY	1	
16	ODM0-063002-00001	SHIFT POSITION SPRING PIN	1	
17	OSQV-060013-1000	WASHER	1	14x28x1
18	OSQV-060002-1000	SHIFT FORK	2	LH@^RH
19	OSQV-060003-1000	SHIFT FORK	1	MIDDLE
20	OSQV-060102-1002	FORK SHAFT	1	
21	OSQV-060015-1001	DOWEL PIN 6	1	
22	0700-064003	SLEEVE, SWING ARM, GEARSHIFT	1	
23	0700-063007	SPRING, CONTACTOR	1	
24	0700-063008	BALL CONTACTOR	1	
25	30801-01405	CIRCLIPS FOR SHAFT	1	14

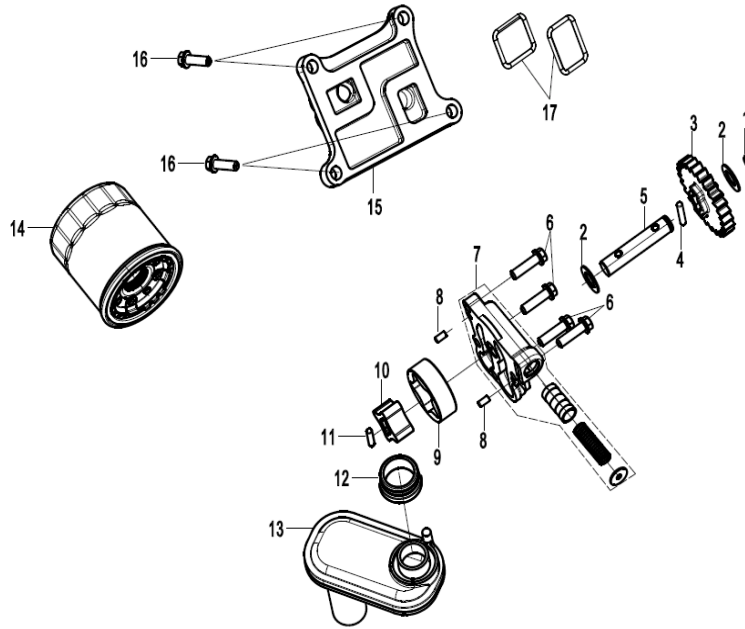
换挡变速总成(2)/TRANSMISSION SYSTEM(2)



E06-2 TRANSMISSION SYSTEM (2)

Item No.	Parts Number	Parts Name(EN)	Qty	Specification
1	0700-061002-00002	NUT	1	
2	0700-061003	CIRCLIP 20	1	20
3	0SQV-061012-1000	BEARING, MAIN SHAFT	1	
4	0SQV-061001-1000	MAIN SHAFT	1	
5	0SQV-061008-1000	WASHER	2	25.2x31x1
6	0SQV-061011-1000	BUSHING	1	25x28x12
7	0SQV-061009-1000	5TH GEAR, MAIN SHAFT	1	
8	ODM0-062017	CIRCLIPS FOR SHAFT 25	3	
9	0SQV-061007-1000	3RD/4TH GEAR, MAIN SHAFT	1	
10	ODM0-062016	SPLINE WASHER 25x31x1	2	
11	0SQV-061006-1000	SPLINE SLEEVE	1	
12	0SQV-061005-1000	6TH GEAR, MAIN SHAFT	1	
13	0SQV-061003-1000	2ND GEAR, MAIN SHAFT	1	
14	0SQV-061002-1000	WASHER	3	20.2x31x1.5
15	30499-02004	NEEDLE BEARING	2	KMJ20x26x13.8x1S
16	0700-061016	CIRCLIPS FOR SHAFT 20	2	20
17	0SQV-062102-1000	SHAFT SLEEVE	1	
18	0SQV-062101-1000	COUNTERSHAFT 1ND GEAR	1	
19	0SQV-062013-1000	COUNTERSHAFT 5ND GEAR	1	
20	30801-02805	CIRCLIPS FOR SHAFT 28	3	28
21	0SQV-062008-1000	WASHER, SPLINE	2	
22	0SQV-062012-1000	COUNTERSHAFT 3ND GEAR	1	
23	0SQV-062011-1000	SPLINE SLEEVE	1	
24	0SQV-062009-1000	COUNTERSHAFT 4ND GEAR	1	
25	0SQV-062006-1000	28.2x36x1	1	28.2x36x1
26	0SQV-062005-1000	SHAFT SLEEVE	1	28x10.5
27	0SQV-062007-1001	COUNTERSHAFT 6ND GEAR	1	
28	0SQV-062004-1000	COUNTERSHAFT 2ND GEAR	1	
29	0SQV-062001-1001	COUNTERSHAFT	1	
30	0SQV-062003-1000	62x28	1	62x28
31	0800-062205	O-RING	1	25x2
32	0SQV-062002-5000	COLLAR, COUNTERSHAFT	1	
32	0SQV-062002-5001	COUNTERSHAFT COLLAR	1	
33	0SQV-062030-5000	DRIVE PULLEY	1	
34	0700-062015	WASHER	1	
35	0SQV-060014-1001	NUT M20x1.5	1	
36	0SQV-061000-1000	MAIN SHAFT	1	
37	0SQV-062000-5000	COUNTERSHAFT ASSY	1	
37	0SQV-062000-5001	COUNTERSHAFT ASSY	1	

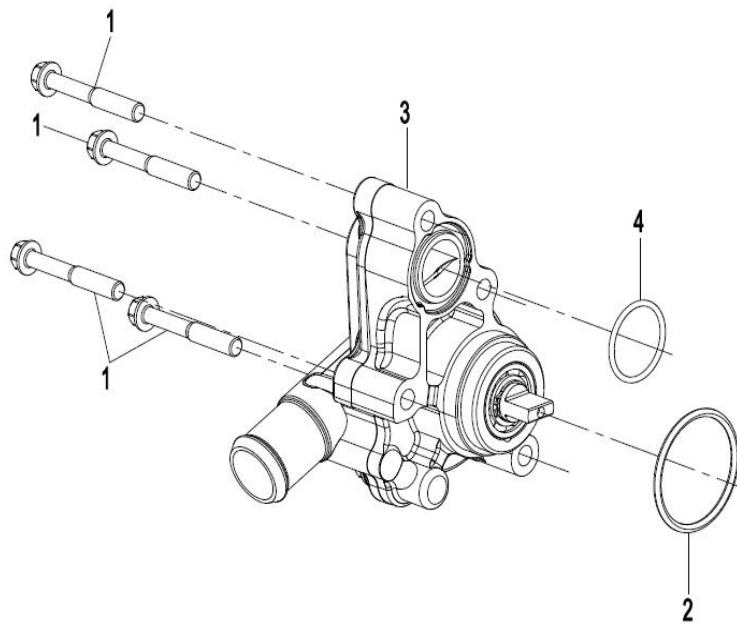
润滑系统总成/LUBRICATION SYSTEM



E07 OIL PUMP

Item No.	Parts Number	Parts Name(EN)	Qty	Specification
1	30801-01100	CIRCLIPS FOR SHAFT 11	1	11
2	0SQV-071003-1000	WASHER	2	11x20x1
3	0SQV-071001-1001	GEAR, OIL PUMP	1	
4	30406-00402	ROLLER NEEDLE P4x21.8	1	P4x21.8
5	0SQV-071002-1000	SHAFT, OIL PUMP	1	
6	0010-023010-0010	BOLT M6x20	4	M6x20
7	0SQV-071101-10A0	OIL PUMP COVER ASSY	1	
8	30406-00401	ROLLER NEEDLE P4x7.8	2	P4x7.8
9	0700-071003	OUTER ROTOR, MAIN OIL PUMP	1	
10	0700-071004	INNER ROTOR, MAIN OIL PUMP	1	
11	30406-00400	ROLLER NEEDLE P4x15.8	1	P4x15.8
12	0700-070101-00001	GASKET, OIL SUCTION PAN	1	
13	0SQV-073100-1000	FILTER	1	
14	0700-070200	OIL FILTER	1	
15	0SQV-012010-1000-0BP00	OIL PASSAGE PLATE ASSY	1	MAUD SPIRIT BLACK
16	0010-023008-00001	BOLT	4	
17	0SQV-072003-1000	OIL COOLER SEAL RING	2	

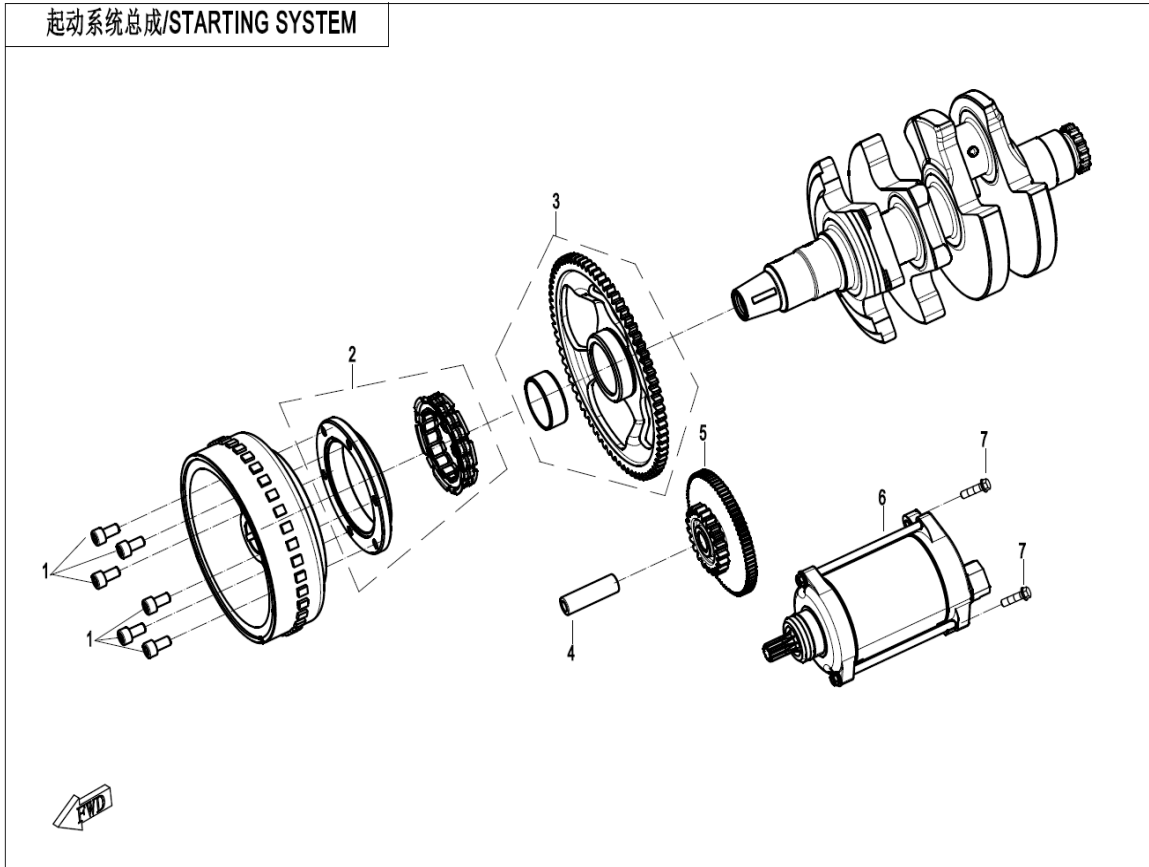
水泵总成/WATER PUMP



E08 WATER PUMP

Item No.	Parts Number	Parts Name(EN)	Qty	Specification
01	0HTB-065202	BOLT M6x42	4	M6x42
02	0SQV-080002-1000	O-RING 33x2.65	1	
03	0SQV-081000-5000-0BU00	WATER PUMP BODY SUB ASSY	1	MIST SILVER BLACK
04	0SQV-081009-1000	O-RING	1	

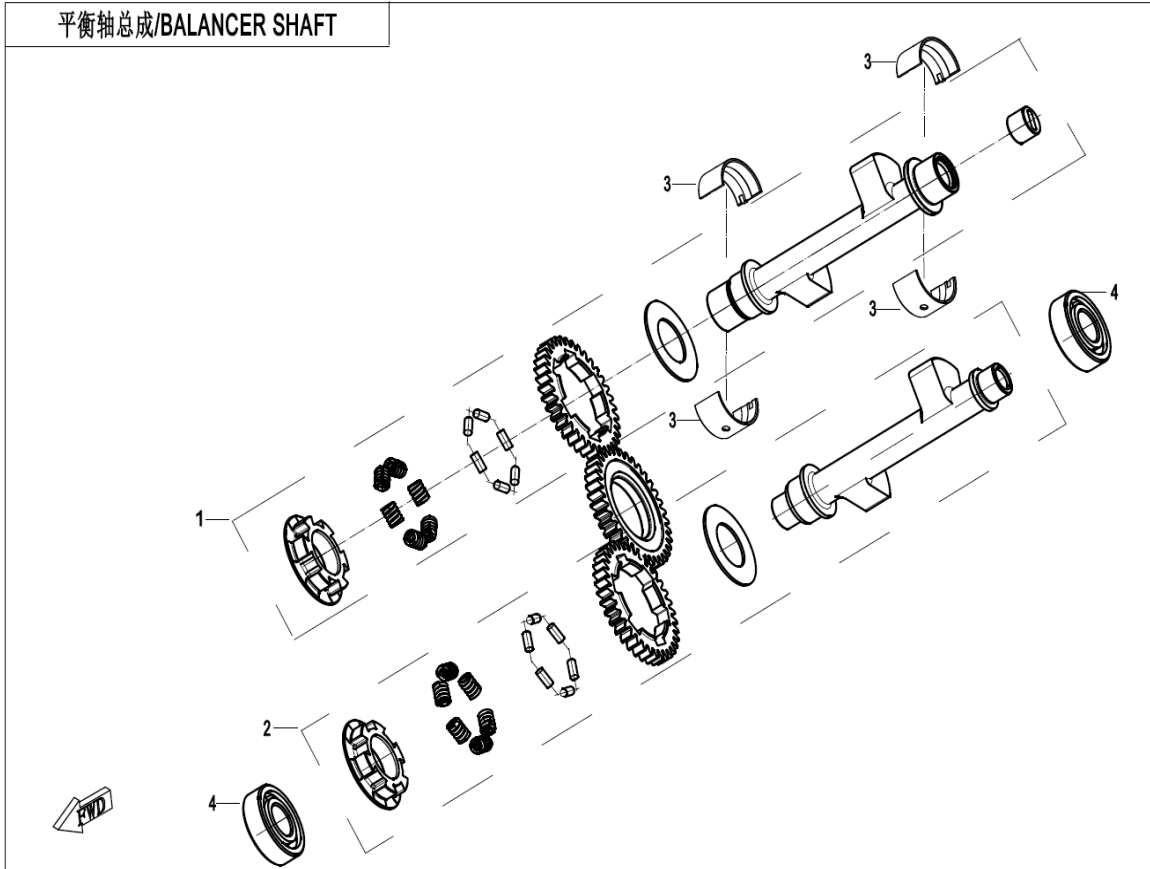
起动系统总成/STARTING SYSTEM



E09 STARTING SYSTEM

Item No.	Parts Number	Parts Name(EN)	Qty	Specification
01	30102-060012810	SCREW	6	M6×12
02	0SQV-091000-1001	OVERRIDING CLUTCH ASSY	1	
03	0SQV-092000-1001	GEAR, STARTING MOTOR	1	
04	0700-090003	SHAFT, MIDDLE GEAR	1	
05	0SQV-090001-1000	DUAL GEAR	1	
06	0SQV-093000-1000	STARTING MOTOR	1	
07	0010-021017-0010	BOLT M6x25	2	M6x25

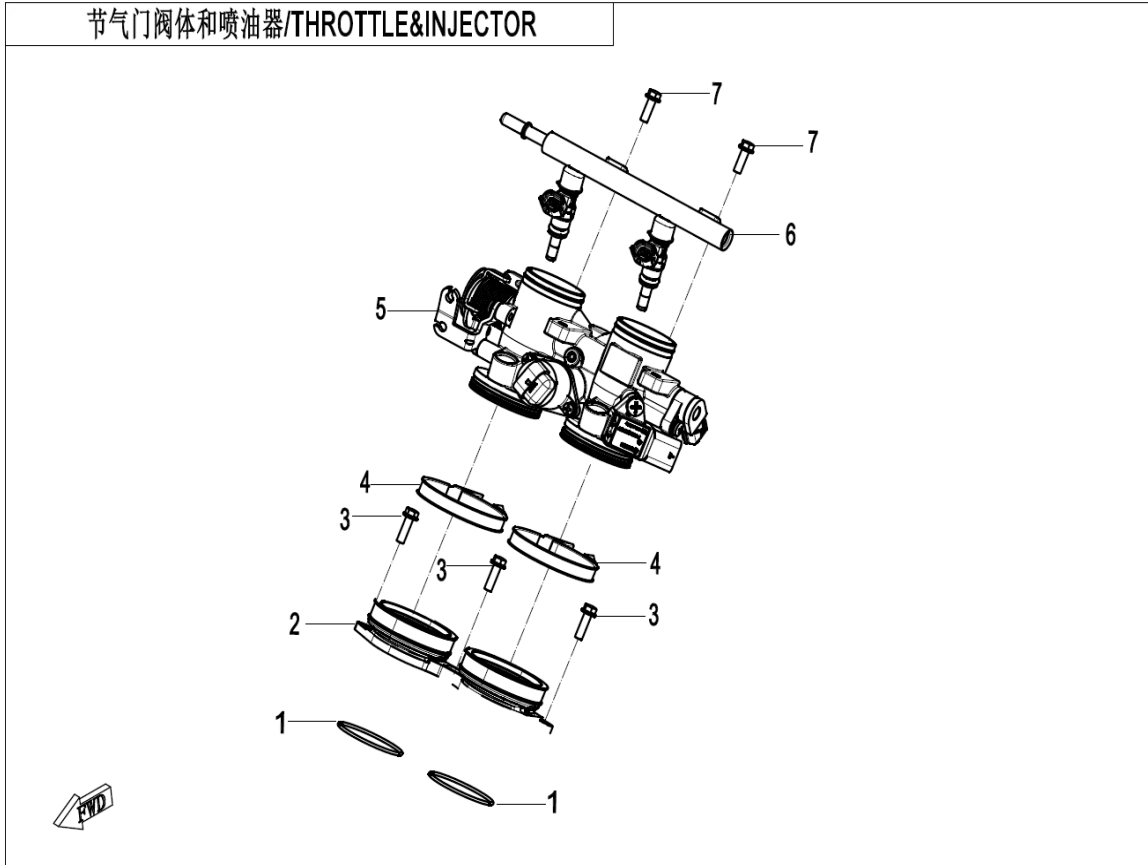
平衡轴总成/BALANCER SHAFT



E16 BALANCER SHAFT

Item No.	Parts Number	Parts Name(EN)	Qty	Specification
01	0SQV-161000-1000-Q0-00001	FRONT BALANCING SHAFT ASSY	1	A
01	0SQV-161000-1000-Q0-00002	FRONT BALANCING SHAFT ASSY	1	B
02	0SQV-162000-1000-Q0-00001	REAR BALANCING SHAFT ASSY	1	A
02	0SQV-162000-1000-Q0-00002	REAR BALANCING SHAFT ASSY	1	B
03	0SQV-011002-1000-Q0-00001	PLAIN BEARING, BALANCER SHAFT	4	RED
03	0SQV-011002-1000-Q0-00002	PLAIN BEARING, BALANCE SHAFT	4	BLACK
03	0SQV-011002-1000-Q0-00003	PLAIN BEARING, BALANCER SHAFT	4	BLUE
04	30400-02009	BEARING	2	

节气门阀体和喷油器/THROTTLE&INJECTOR



E17 THROTTLE&INJECTOR

Item No.	Parts Number	Parts Name(EN)	Qty	Specification
01	0SQV-022009-1000	O-RING	2	46.2x2
02	0SQV-022400-1000	CONNECTING PIPE, THROTTLE BODY	1	
03	0010-023008-00001	BOLT	3	
04	0SQV-022410-1000	CLAMP 62	2	
05	0SQV-173000-5000	THROTTLE BODY ASSY	1	
06	0SQV-173200-1001	FUEL PIPE ASSY	1	
07	0010-090005-0010	BOLT M6x16	1	M6x16