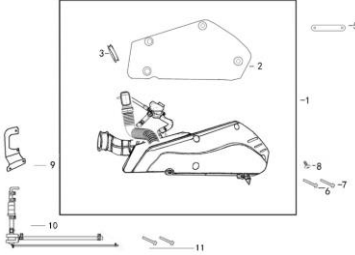
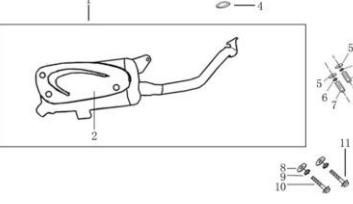
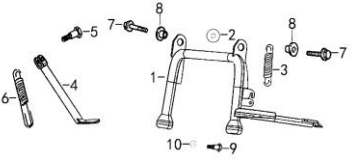
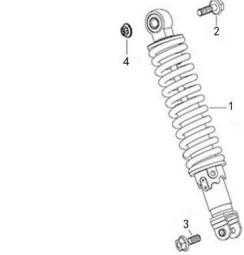
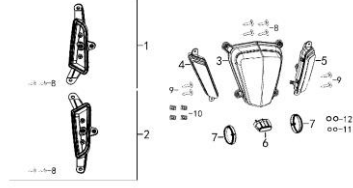
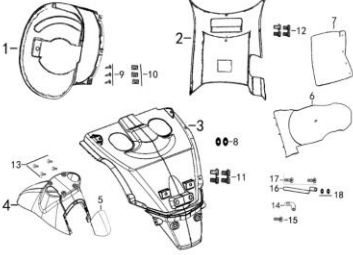
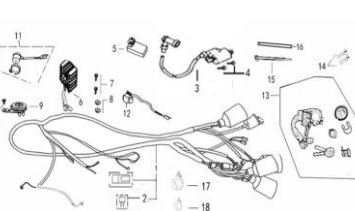
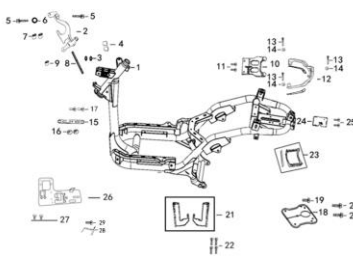
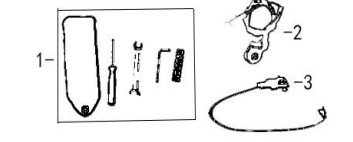
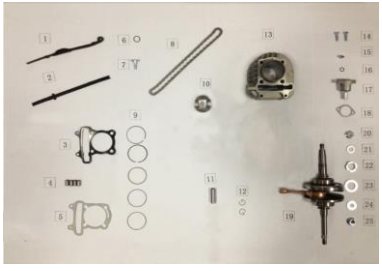

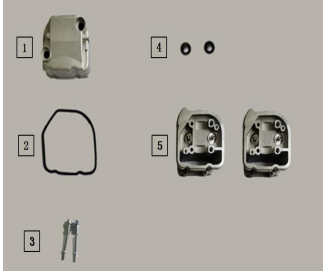



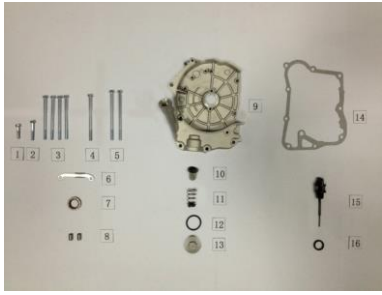

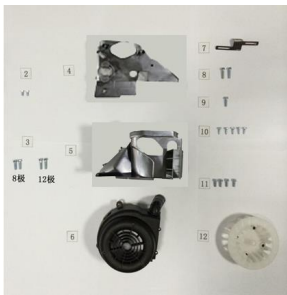

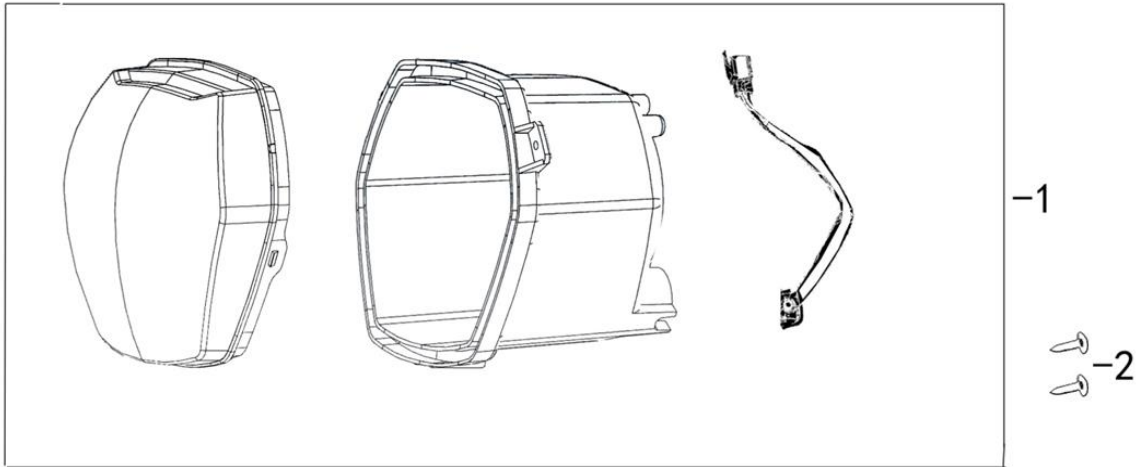


CONTENTS—FRAME GROUP

F14	F15	F16
<p style="text-align: center;">AIR/C ASSY</p> 	<p style="text-align: center;">MUFFLER ASSY EXH</p> 	<p style="text-align: center;">STAND COMP MAIN & SIDE STAND COMP</p> 
<p style="text-align: center;">CUSHION ASSY RR</p> 	<p style="text-align: center;">WINKER ASSY FR & VENTILATION GRID</p> 	<p style="text-align: center;">FENDER</p> 
<p style="text-align: center;">HARNES WIRE & ELECTRICAL COMPONENTS</p> 	<p style="text-align: center;">BODY COMP FRAME</p> 	<p style="text-align: center;">FRONT WHEEL</p> 

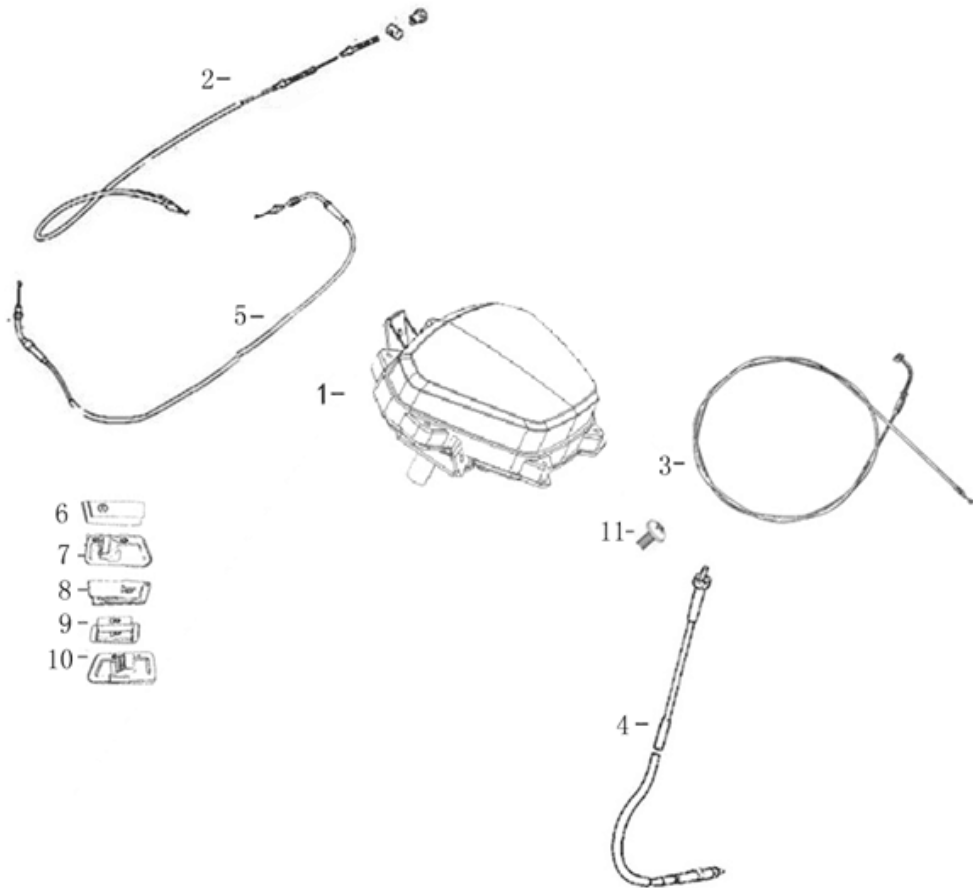
CONTENTS—ENGINE GROUP

E01	E02	E03
<p style="text-align: center;">BLOCK & CRANKSHAFT</p> 	<p style="text-align: center;">VALVE</p> 	<p style="text-align: center;">CYLINDER COVER</p> 
<p style="text-align: center;">R. CRACKCASE</p> 	<p style="text-align: center;">L. CRANKCASE</p> 	<p style="text-align: center;">MISSION CASE</p> 
<p style="text-align: center;">R. CASE COVER</p> 	<p style="text-align: center;">L. CASE COVER</p> 	<p style="text-align: center;">FLYWHEEL & STATOR</p> 
<p style="text-align: center;">MOVABLE & PULLEY</p> 		



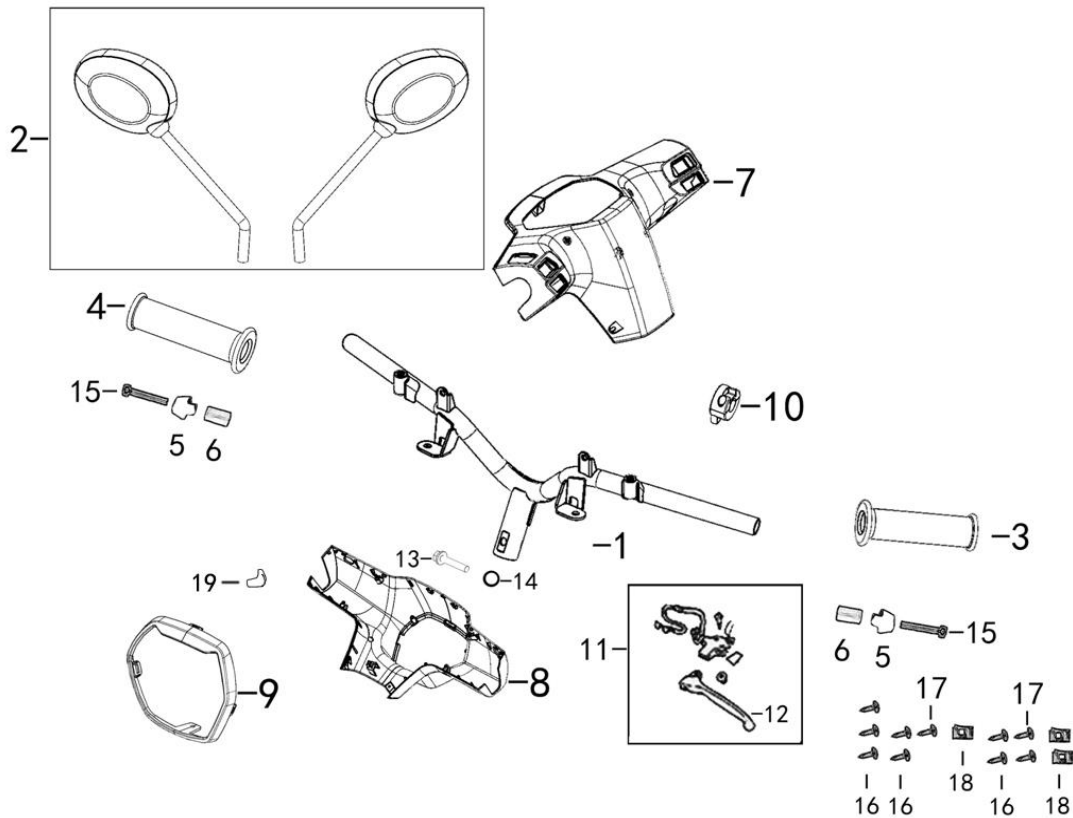
F01 = LIGHT ASSY HEAD

No	NO PART	NAME PART	QTY	REMARK
1	33100-AH01-9102	Headlights	1	
2	93401-42012-03	SCREW, ST4.2*12	2	



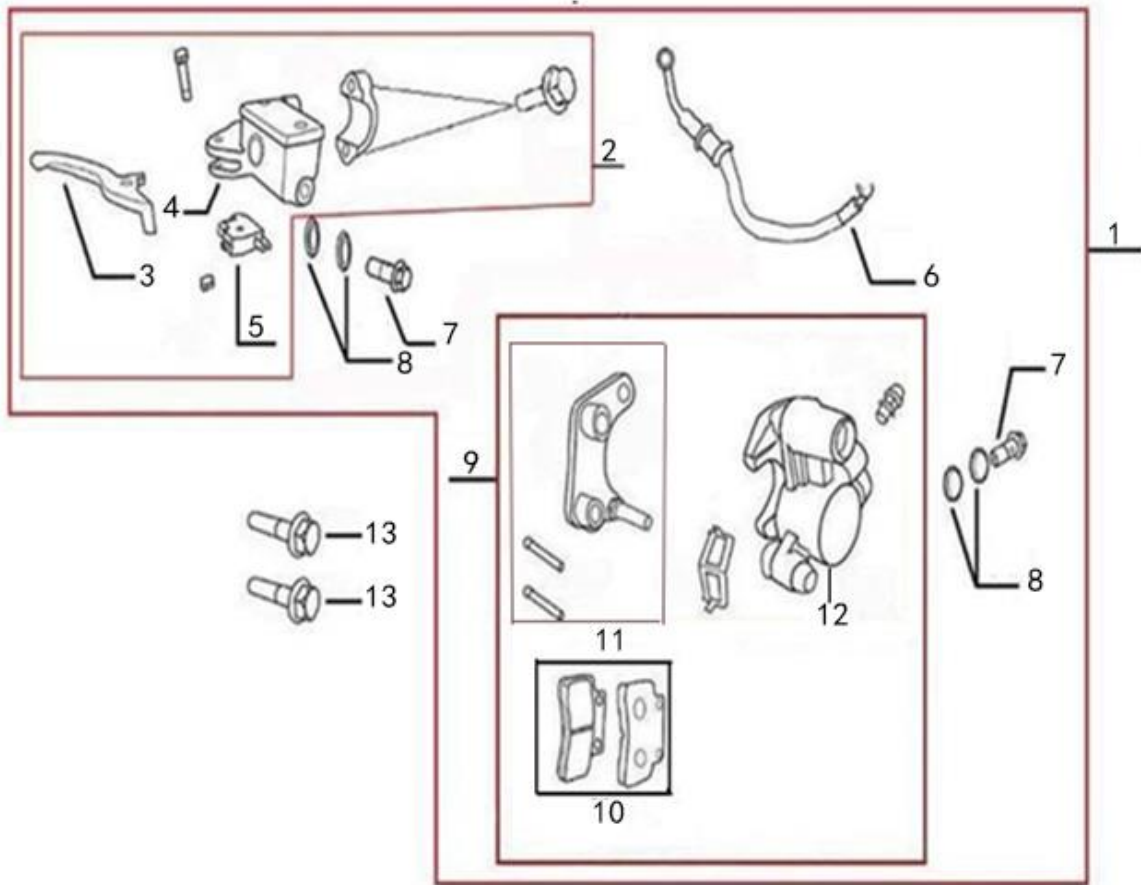
F02 = SPEED METER ASSY

No	NO PART	NAME PART	QTY	REMARK
1	37200-AH01-9002-MY02	Instrument	1	
2	43450-AH01-9000	THE BRAKE LINE	1	
3	77240-AH01-9000	SEAT CUSHION LOCKING WIRE	1	
4	44830-AH01-9001-D	Mileage line hook	1	
5	17910-ABS-9000	Throttle line	1	
6	35152-AH01-9000	STARTING SWITCH	1	
7	35202-AH07-9001	CHANGE-OVER SWITCH	1	
8	35203-AH01-9000	HORN SWITCH	1	
9	35201-AH01-9000	DIMMER SWITCH	1	
10	35151-GZ-9000	FLAME SWITCH	1	
11	93201-05010-03	SCREW PAN. M5*10	1	



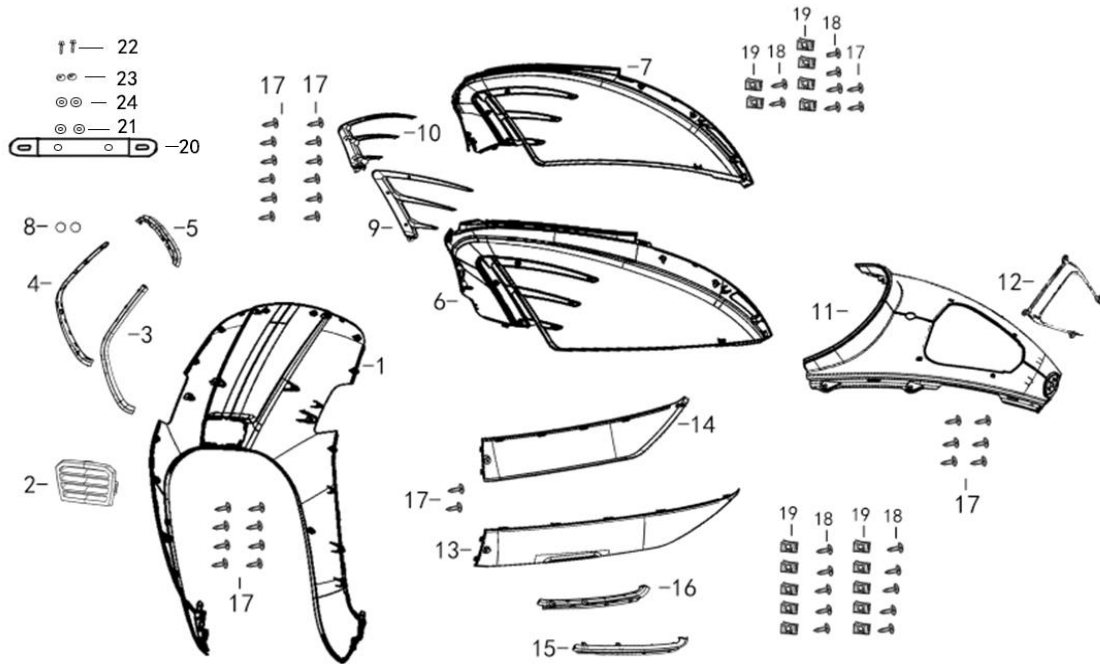
F03 = HANDLE COMP STRG & MIRROR ASSY BACK

No	NO PART	NAME PART	QTY	REMARK
1	53100-AH01-9001-M	Direction handle	1	
2	8811A-AFA1-9000-R007	REAR VIEW MIRROR	1SET	RED
2	8811A-AFA1-9000-DGR	REAR VIEW MIRROR	1SET	GREY
2	8811A-AFA1-9000-B003	REAR VIEW MIRROR	1SET	BLACK
3	53166-AFA1-9000	THE SET OF LEFT HAND BLACK	1	
4	53140-AFA1-9000	COME ON HAND TO SET BLACK	1	
5	53105-AFA1-9000	HANDLE BALANCER	2	
6	53107-F8-9000	HANDLE BALANCING BLOCK ERASER	2	
7	53205-AH01-9001-R007	AFTER HAND MASK BASE COLOR	1	RED
7	53205-AH01-9001-DGR1	AFTER HAND MASK BASE COLOR	1	GREY
7	53205-AH01-9001-B003	AFTER HAND MASK BASE COLOR	1	BLACK
8	53206-AH01-9000-R007	BEFORE HAND COVER BASE COLOR	1	RED
8	53206-AH01-9000-DGR1	BEFORE HAND COVER BASE COLOR	1	GREY
8	53206-AH01-9000-B003	BEFORE HAND COVER BASE COLOR	1	BLACK
9	33110-AH01-9000	HEADLAMP DECORATION ELECTROPLATING	1	
10	53168-WY-9000	THROTTLE HOLDER	1	
11	5317B-AH01-9000	REAR BRAKEE ASSY	1	
12	53176-AFA1-9000	REAR BRAKEE	1	
13	92201-10045-03	BOLT FLANGE 10×45	1	
14	53125-F8-9000	SPACER BUSH φ10	1	
15	92501-06065-09	BOLT OF HANDLE BALANCER 6×65	2	
16	93401-42012-03	SCREW, ST4.2*12	7	
17	93401-48016-03	SCREW, ST4.8*16	3	
18	90601-F8-9000	NUT SPRING 4MM	3	
19	53169-AH01-9000	Left side buffer rubber of instrument housing	1	



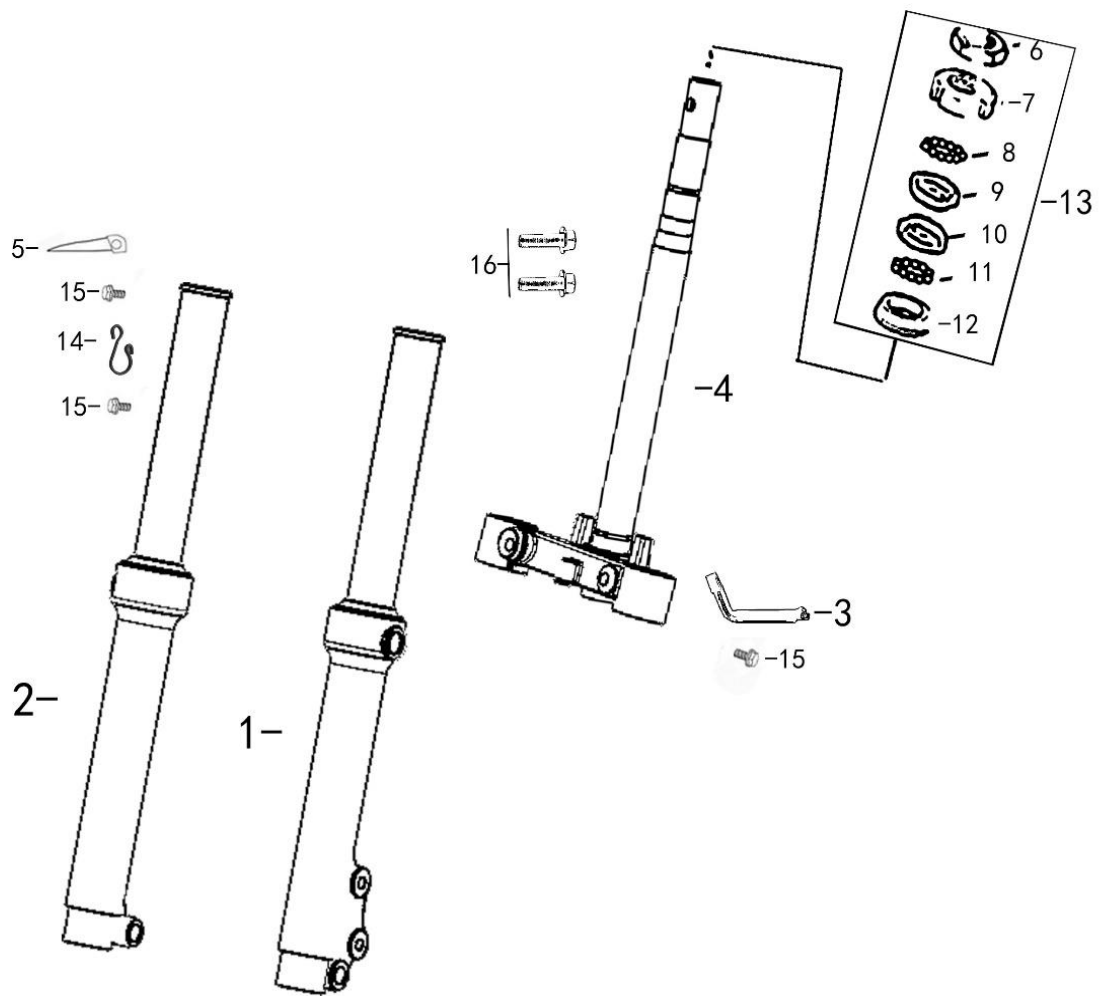
F04 = SUB HARNESS SET FR M/C COMP

No	NO PART	NAME PART	QTY	REMARK
1	4550A-AH01-9000	SUB HARNESS SET FR M/C COMP	1	
2	45500-AH01-9000	SUB HARNESS SET FR M/C	1	
3	53175-AH01-9000	HANDLE R	1	
~	90115-XSG-9000	6*32	1	
~	95001-06000-03	M6	1	
4	45501-AH01-9000	CYLINDER BODY	1	
5	10099-AAR8-9001	SHUT-OFF BLOCK CONSTITUTE FR	1	
~	46518-F8-9000	5*10	1	
~	45502-ABA9-9000	Front disc brake upper pump cylinder fixing base	1	
~	92401-06022-03	BOLT FLANGE 6*22	2	
6	45126-AH01-9000	HOSE ASSY FR BRK	1	
7	90045-F8-9000	OIL BOLT 10*22	2	
8	90046-F8-9000	WASHER OIL BOLT	4	
9	45200-AH01-9000	CALIPER ASSY FR	1	
10	4510A-B08-9000	PAD COMP	1	
11	45204-AH01-9000	Front disc brake lower pump mounting bracket	1	
12	45201-AH01-9000	Front disc brake lower pump auxiliary oil cylinder device	1	
13	92201-08035-03	BOLT FLANGE 8*35	2	



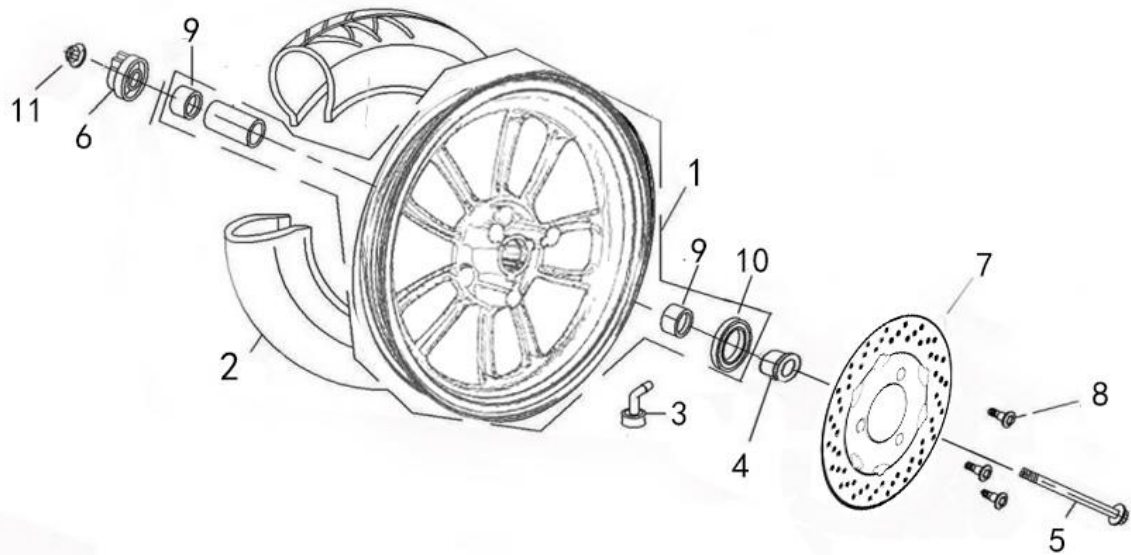
F05 = Plastic parts group

No	NO PART	NAME PART	QTY	REMARK
1	64301-AH01-9001-R007	THE FRONT PANEL BASE COLOR	1	RED
1	64301-AH01-9001-DGR10A	THE FRONT PANEL BASE COLOR	1	GREY
1	64301-AH01-9001-B003	THE FRONT PANEL BASE COLOR	1	BLACK
2	64311-AH01-9000	FRONT PANEL THROUGH STYLE ELECTROPLATING	1	
3	64358-AH01-9000	LEFT PANEL TRIM BASE ELECTROPLATING	1	
4	64357-AH01-9000	RIGHT PANEL TRIM ELECTROPLATING	1	
5	64307-AH01-9000	FRONT PANEL TRIM ELECTROPLATING	1	
6	83600-AH01-9000-R007	LEFT DECORATIVE BASE COLOR	1	RED
6	83600-AH01-9000-DGR10A	LEFT DECORATIVE BASE COLOR	1	GREY
6	83600-AH01-9000-B003	LEFT DECORATIVE BASE COLOR	1	BLACK
7	83500-AH01-9001-R007	RIGHT DECORATIVE BASE COLOR	1	RED
7	83500-AH01-9001-DGR10A	RIGHT DECORATIVE BASE COLOR	1	GREY
7	83500-AH01-9001-B003	RIGHT DECORATIVE BASE COLOR	1	BLACK
8	83505-ACAE-9000-B	DECORATIVE BOARD RUBBER	2	
9	83602-AH01-9000	LEFT DECORATIVE BOARD DECORATIVE PARTS BASE COLOR	1	
10	83502-AH01-9000	RIGHT DECORATIVE BOARD DECORATIVE PARTS BASE COLOR	1	
11	83755-AH01-9000-R007	AFTER THE CENTER COVER BASE COLOR	1	RED
11	83755-AH01-9000-DGR10A	AFTER THE CENTER COVER BASE COLOR	1	GREY
11	83755-AH01-9000-B003	AFTER THE CENTER COVER BASE COLOR	1	BLACK
12	83756-AH01-9000	REAR LIGHT TRIM BASE COLOR	1	
13	64306-AH01-9000-R007	ARTICLE ON THE LEFT BASE COLOR	1	RED
13	64306-AH01-9000-DGR10A	ARTICLE ON THE LEFT BASE COLOR	1	GREY
13	64306-AH01-9000-B003	ARTICLE ON THE LEFT BASE COLOR	1	BLACK
14	64305-AH01-9000-R007	ON THE RIGHT SIDE OF THE ARTICLE BASE COLOR	1	RED
14	64305-AH01-9000-DGR10A	ON THE RIGHT SIDE OF THE ARTICLE BASE COLOR	1	GREY
14	64305-AH01-9000-B003	ON THE RIGHT SIDE OF THE ARTICLE BASE COLOR	1	BLACK
15	64356-AH01-9000	LEFT SIDE STRIP TRIM BASE COLOR	1	
16	64355-AH01-9000	RIGHT SIDE STRIP TRIM BASE COLOR	1	
17	93401-42012-03	SCREW, ST4.2*12	30	
18	93401-48016-03	SCREW, ST4.8*16	16	
19	90601-F8-9000	NUT SPRING 4MM	16	
20	84706-AH01-9000	Front license plate bracket	1	
21	84705-AH01-9000	License plate bracket rubber	2	
22	92201-08020-03	Hexagon flange screw M8 * 20	2	
23	95801-08000-03	Φ 8 flat pads	2	
24	95401-08000-03	Hexagon flange self-locking nut M8	2	
25	86000-00001	full set stickers	1Set	



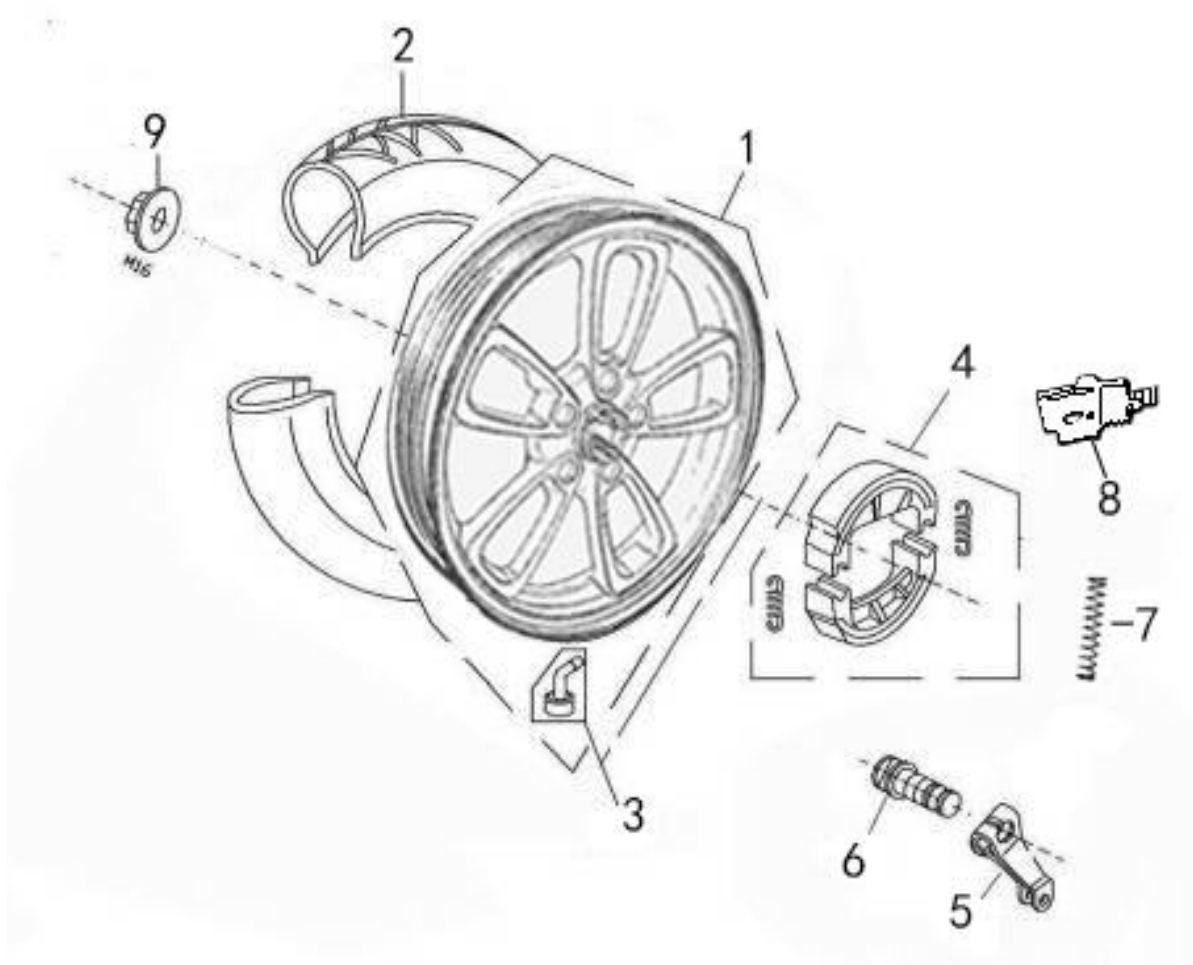
F06 = Lower connection board & Steel bowl

No	NO PART	NAME PART	QTY	REMARK
1	51500-AFA1-9101	FORK SET L FR	1	
2	51400-AFA1-9101	FORK SET R FR	1	
3	43128-B08-9000	STAY HOSE	1	
4	53200-AH01-9000	BOTTOM ALLIED BOARD	1	
5	45156-AH01-9000	SPEEDOMETER CABLE HOOK	1	
6	50306-F8-9000	SMALL PRESSED NUT	1	
7	53211-F8-9000	ADJUSTABLE NUT (LARGE OCTAGON)	1	
8	53213-F8-9000	THE STEEL BALL	1	
9	53214-F8-9000	STEEL BOWL ON FRAME	1	
10	53212-F8-9000	THE CONCAVE	1	
11	50301-F8-9000	THE STEEL BALL	1	
12	50302-F8-9000	LOWER PYRAMIDAL SEAT	1	
13	50300-F8-9000	STEERING STEM BEARING SET	1	
14	45157-B08-9000	MILEAGE LINE HOOK	1	
15	92101-06012-03	BOLT FLANGE 6*12	3	
16	92201-10035-03	BOLT FLANGE 10*35	2	



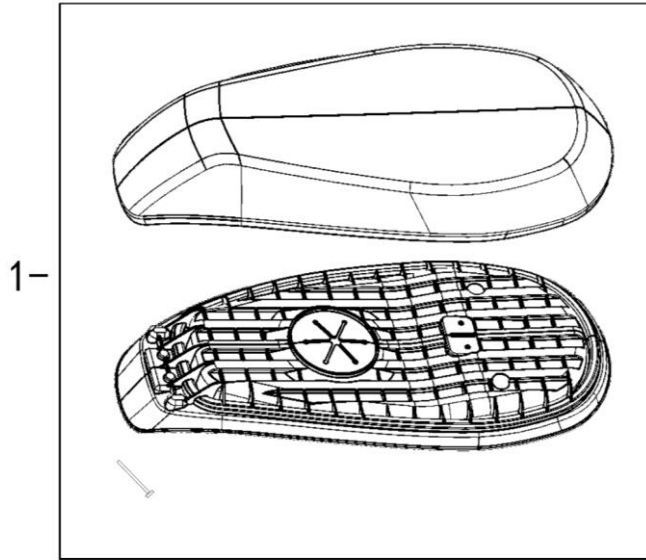
F07 = WHEEL SET FR

No	NO PART	NAME PART	QTY	REMARK
1	44600-AH01-9002-A	RIM FR WHEEL (MT2.75X12)	1	
2	44710-ACE7-9000-D	TIRE 110/70-12	1	
3	42753-DGW-9000	Valve (including air cap)	1	
4	44311-AFA1-9000	COLLAR FR WHEEL SIDE $\Phi 12 \times 36$	1	
5	44301-B08-9000	AXLE FR WHEEL M12 \times 225	1	
6	44800-B08-9000-B	ACTUATOR	1	
7	45121-AH01-9000	DISK FR BRAKE 190mm	1	190mm
8	93601-08025-02	Disc brake disc mounting bolt	3	
9	96002-62010	FRONT AXLE BEARING 6201RS	2	
10	91001-F8-9000	FRONT AXLE SLEEVE OIL SEAL 20*32*5	1	
11	95401-12000-03	M12NUT U FLANGE 12MM	1	



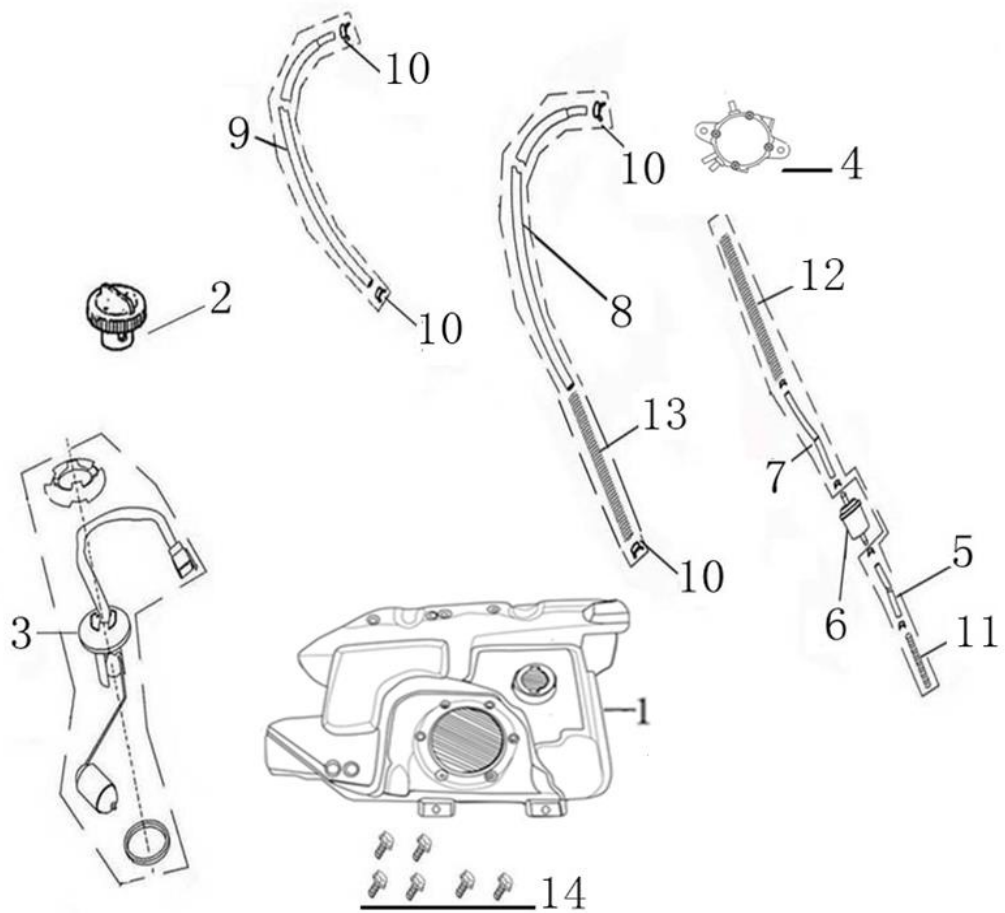
F08 = WHEEL COMP RR CAST

No	NO PART	NAME PART	QTY	REMARK
1	42600-AH01-9002-A	AFTER THE ALUMINUM WHEEL	1	
2	44710-F8-9200-D	TIRE 120/70-112	1	依订单要求
3	42753-DGW-9000	Valve (including air cap)	1	
4	4312A-B08-E500	THE REAR BRAKE SHOE BLOCK	1	
5	43410-DGW-9002	THE REAR BRAKE ARM	1	
6	43141-DGW-9002	THE REAR BRAKE ROCKER ARM SHAFT	1	
7	43142-DGW-9000	THE REAR BRAKE ARM RETURN SPRING	1	
8	43143-DGW-9000	THE REAR BRAKE RUBBER LINING	1	
9	95501-16000-03	NUT U FLANGE 16MM	1	



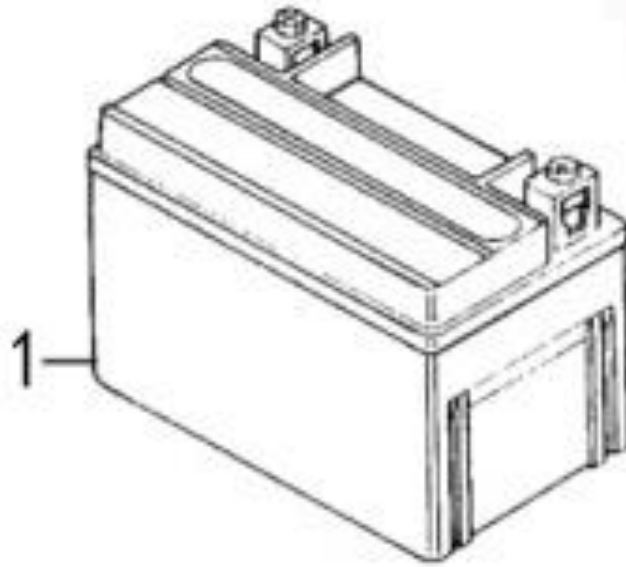
F09 = SEAT ASSY

No	NO PART	NAME PART	QTY	REMARK
1	77200-AH01-9204	Seat cushion (including seat cushion rocker shaft)	1	



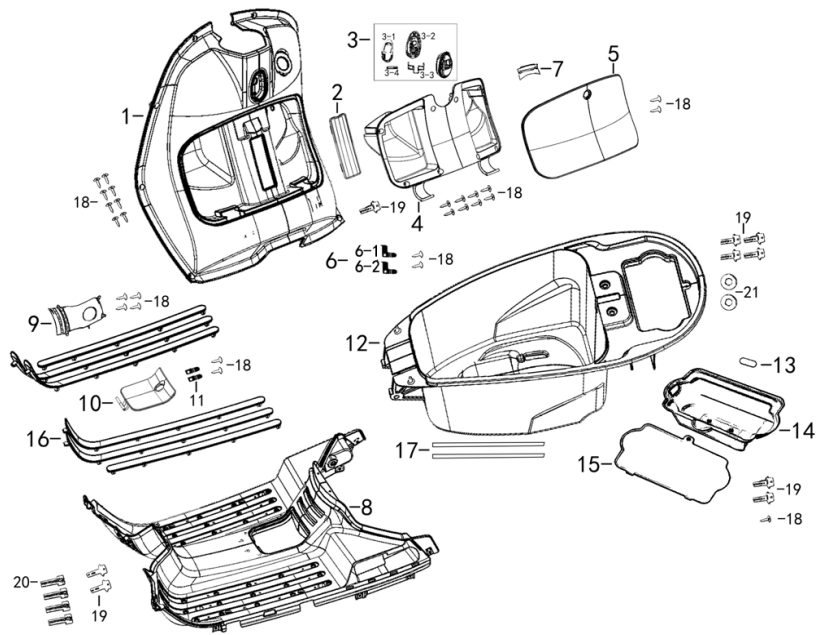
F10 = FUEL UNIT ASSY

No	NO PART	NAME PART	QTY	REMARK
1	17500-AH01-9200	The fuel tank	1	
2	17620-AH01-9000	The cap	1	
3	3780A-AH01-9000	Oil level sensor assembly	1	
4	16700-F8-9000	The oil pump	1	
5	1768A-KY-9000	Oil filter inlet pipe 260mm	1	260mm
6	18658-F8-9100	The filter	1	
7	1768C-HM-9000	Oil filter flowline 150mm	1	150mm
8	1768D-ALA3-9000	Oil pump flowline 420mm	1	420mm
9	1768B-DGW-9200	Negative pressure pipe 370mm	1	370mm
10	19411-F8-9000	Steel pickup spring Φ 8.5	8	Φ 8.5
11	90016-LB-9000	Spring 230 mm tubing protection	1	230mm
12	90016-XF-9000	Spring 110 mm tubing protection	1	110mm
13	90016-TK-9000	Spring 340 mm tubing protection	1	340mm
14	92101-06016-03	BOLT FLANGE 6*16	6	



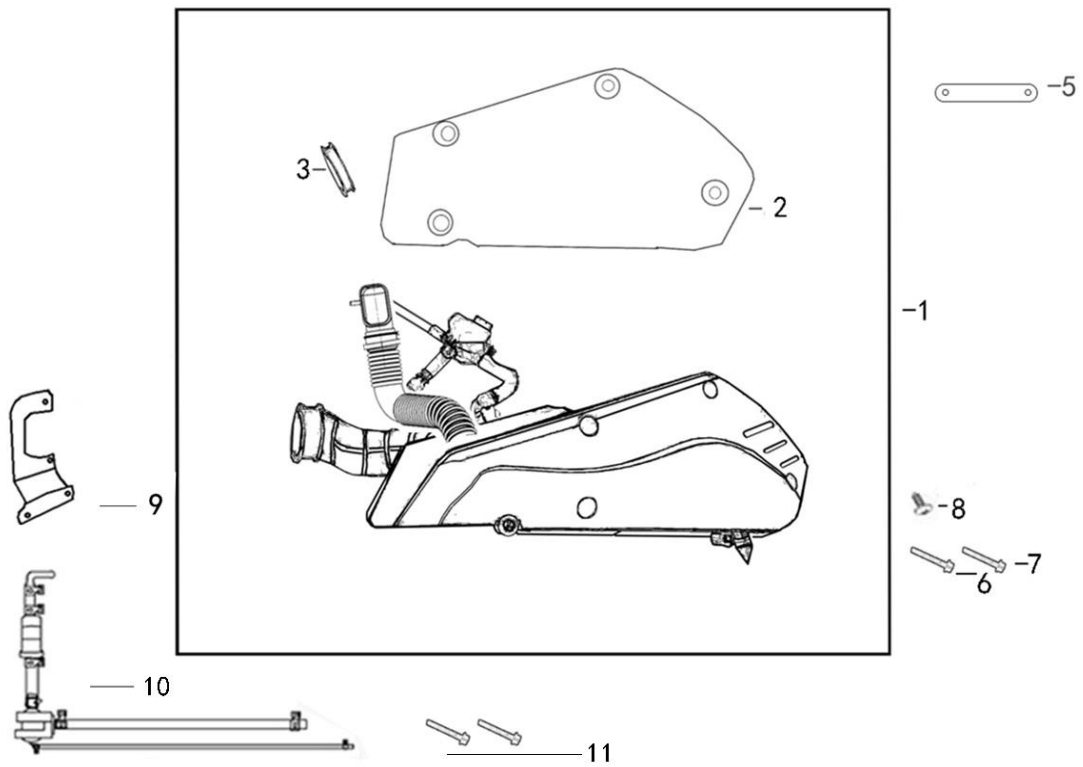
F11 = BATTERY

No	NO PART	NAME PART	QTY	REMARK
1	31500-AH01-9000	BATTERY YTX7A-BS	1	



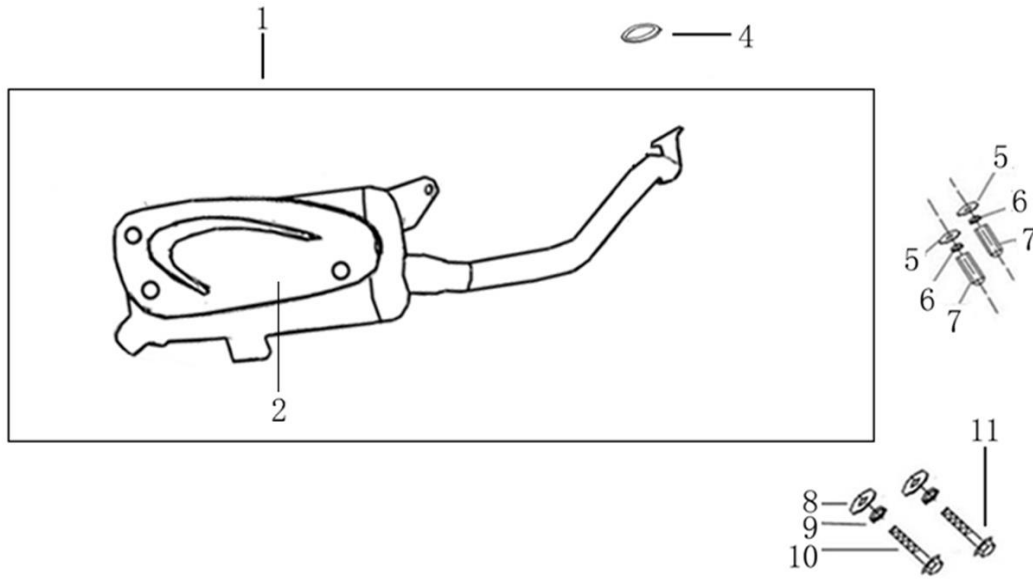
F12 = BOX LUGGAGE ASSY & REAR CARRIER

No	NO PART	NAME PART	QTY	REMARK
1	64304-AH01-9000-R007	Toolbox	1	RED
1	64304-AH01-9000-DGR10A	Toolbox	1	GREY
1	64304-AH01-9000-B003	Toolbox	1	BLACK
2	81142-AFA1-9000	Number cover	1	
3-1	83760-AH01-9000	Helmet hook A	1	
3-2	83765-AH01-9000	Helmet hook B	1	
3-3	83771-AH01-9000	Helmet hook return spring	1	
3-4	83772-AH01-9000	Helmet hook pin	1	
4	64308-AH01-9000-R007	Toolbox cover	1	RED
4	64308-AH01-9000-DGR10A	Toolbox cover	1	GREY
4	64308-AH01-9000-B003	Toolbox cover	1	BLACK
5	64324-AH01-9000-R007	TOOLBOX COVER LINER BASE COLOR	1	RED
5	64324-AH01-9000-DGR10A	TOOLBOX COVER LINER BASE COLOR	1	GREY
5	64324-AH01-9000-B003	TOOLBOX COVER LINER BASE COLOR	1	BLACK
6-1	64309-F8-9000-M	TOOL BOX COVER BRACKET	1	
6-2	64309-F8-9100-M	TOOL BOX COVER BRACKET	1	
7	81132-AH01-9000-R007	TOOLBOX COVER BASE COLOR	1	RED
7	81132-AH01-9000-DGR10A	TOOLBOX COVER BASE COLOR	1	GREY
7	81132-AH01-9000-B003	TOOLBOX COVER BASE COLOR	1	BLACK
8	64310-AH01-9000-R007	Pedal	1	RED
8	64310-AH01-9000-DGR10A	Pedal	1	GREY
8	64310-AH01-9000-B003	Pedal	1	BLACK
9	17600-AH01-9000	REFUELING PORT SHIELD	1	
10	17601-AH01-9000-R007	FILLER CAP BASE COLOR	1	RED
10	17601-AH01-9000-DGR10A	FILLER CAP BASE COLOR	1	GREY
10	17601-AH01-9000-B003	FILLER CAP BASE COLOR	1	BLACK
11	19010-AFA1-9000-M	FILLING PORT COVER ROCKER ARM PRESSURE PLATE	2	
12	81250-AH01-9000	Trunk	1	
13	81257-AFA1-9000	SMALL INNER COVER OF UTILITY BOX	1	
14	50325-AFA1-9000	Battery box	1	
15	50326-AFA1-9000	Electric bottle cap	1	
16	64335-AH01-9000	FOOT STRIP	1SET	
17	81145-AH01-9000	Toolbox Cover sponge sealing strip	2	
18	93401-42012-03	SCREW, ST4.2*12	19	
19	92101-06016-03	BOLT FLANGE 6*16	9	
20	92501-06016-03	BOLT SPECIAL 6*16	4	
21	95801-06000-03	WANSHWE 6MM	2	



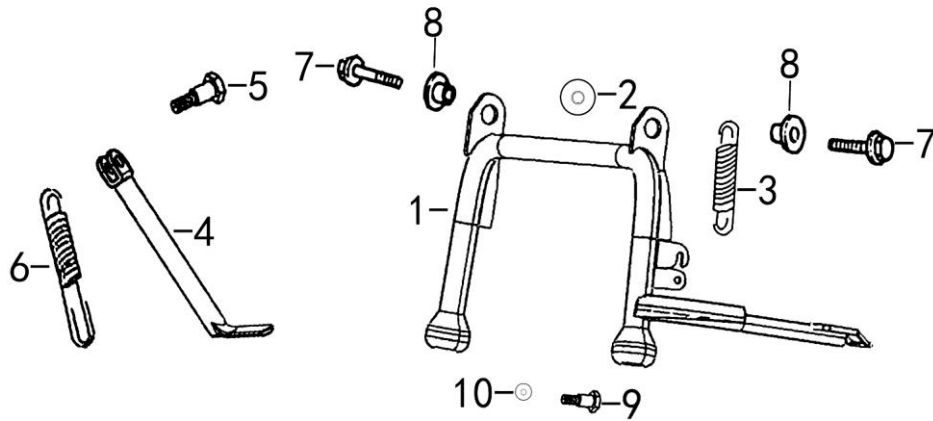
F14 = AIR/C ASSY

No	NO PART	NAME PART	QTY	REMARK
1	17200-AH01-9101	AIR FILTER ASSY	1	
2	17211-AH01-9100	FILTER ELEMENT	1	
3	90652-DGW-9000	BAND AIR/C CONNECTING TUBE	1	
4	17219-AH01-9300	Air filter connecting bracket	1	
5	92101-06025-03	BOLT FLANGE 6*25	1	
6	92101-06040-03	BOLT FLANGE 6*40	1	
7	92101-06012-03	BOLT FLANGE 6*12	3	
8	18662-AFA9-9100	Replenishment valve bracket	1	
9	1865A-FA8-9000	combination valve	1	
10	92101-06020-03	BOLT FLANGE 6*20	2	



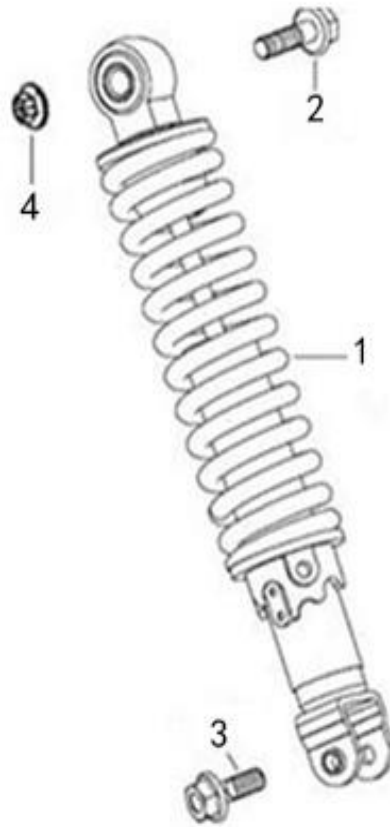
F15 = MUFFLER ASSY EXH

No	NO PART	NAME PART	QTY	REMARK
1	1830A-AFAM-E011	MUFFLER ASSY EXH	1	
2	18318-AFA1-9101	PROTECTOR MUFFLER	1	
4	18291-F8-9000	GASKET EXH PIPE	1	
5	95801-08000-03	WANSHWE 8MM	1	
6	95901-08000-03	SPY WANSHWE 8MM	2	
7	90201-TW-9000	NUT (HEX) CAP 8MM	2	
8	95801-08000-03	WANSHWE 8MM	2	
9	95901-08000-03	SPY WANSHWE 8MM	2	
10	92201-08060-03	BOLT FLANGE 8*60	2	
11	92201-08055-03	BOLT FLANGE 8*55	1	



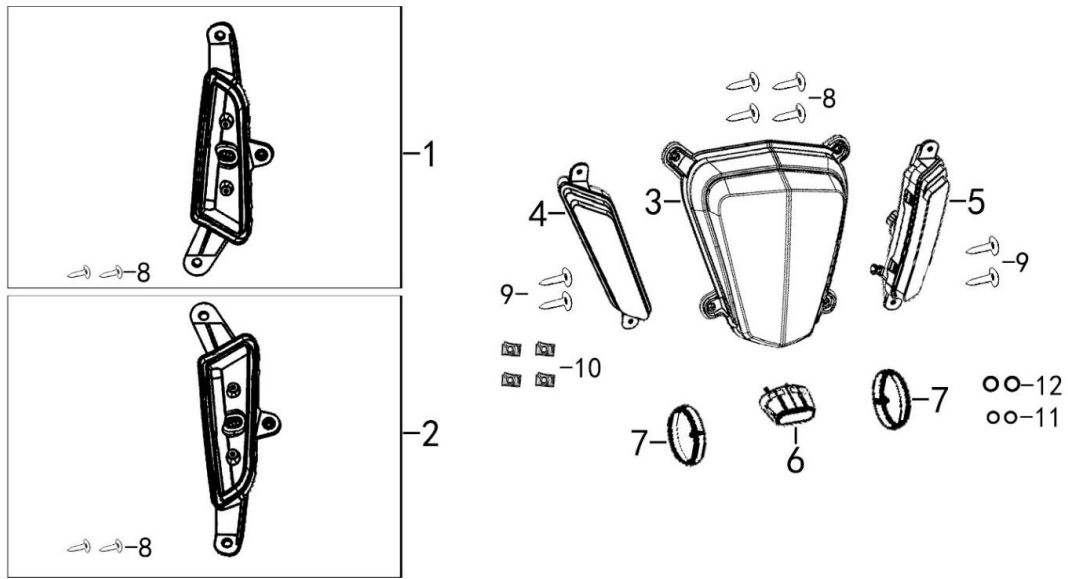
F16 = STAND COMP MAIN & SIDE STAND COMP

No	NO PART	NAME PART	QTY	REMARK
1	50500-AFA1-9000-M	STAND COMP MAIN	1	
2	50505-AAR8-9000	STOPPER RUBBER	1	
3	95014-B08-E000	SPG D MAIN STAND 95mm	1	95mm
4	50530-AFA1-9000-M	SIDE STAND COMP	1	
5	90101-TW-E000	BOLT M10×1.25×25	1	
6	95015-LB-E000	SPG B1 SIDE STAND 105mm	1	105mm
7	92201-10025-03	BOLT M10×1.25×25	2	
8	50502-F8-9000	COLLAR MAIN STAND	2	
9	93002-06028-03	BOLT FLANGE 6*28	1	
10	95201-06000-03	NUT FLANGE 6MM	1	



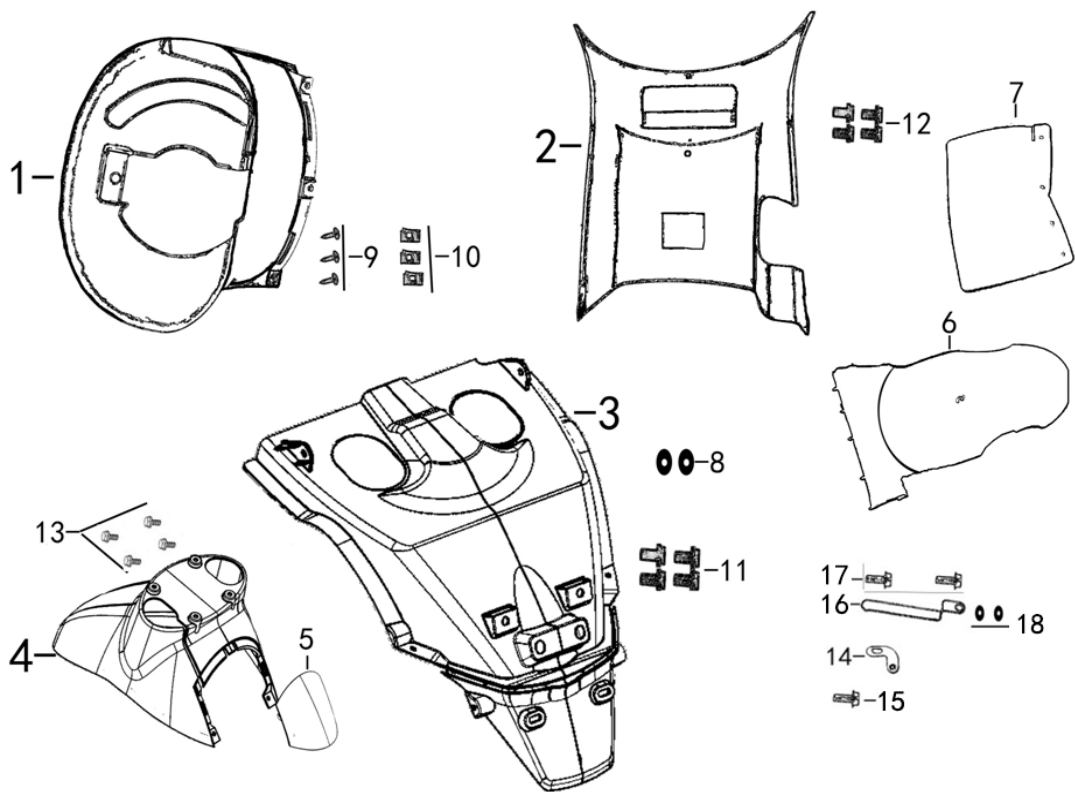
F17 = CUSHION ASSY RR

No	NO PART	NAME PART	QTY	REMARK
1	52500-AH01-9001	Rear shock absorber 290MM	1	290mm
2	92201-10040-03	BOLT FLANGE M10*40	1	
3	92201-08032-03	BOLT FLANGE M8*32	1	
4	95401-10000-03	Hexagonal flange self-locking nut M10	1	



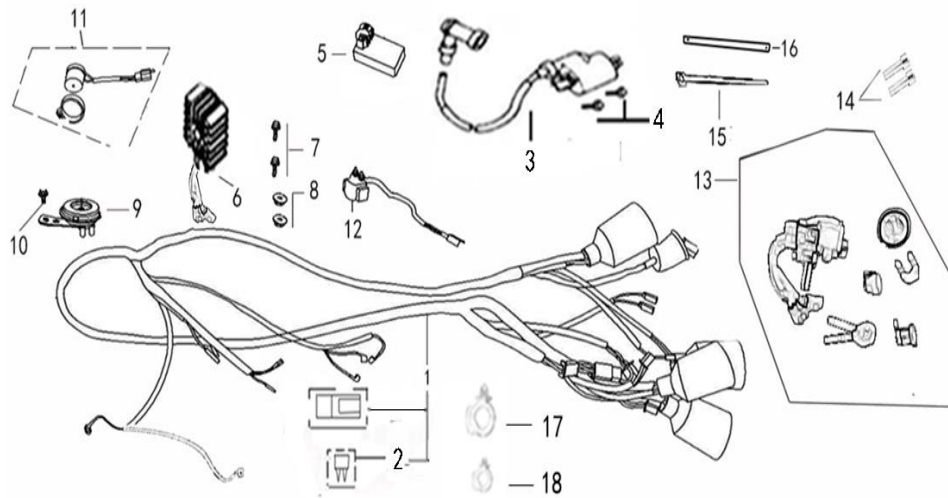
F18 = WINKER ASSY FR & VENTILATION GRID

No	NO PART	NAME PART	QTY	REMARK
1	33450-AH01-9000	THE LEFT TURN SIGNAL	1	
2	33400-AH01-9000	RIGHT TURN SIGNAL	1	
3	33700-AH01-9000	LED TAIL LAMP ASSEMBLY	1	
4	33650-AH01-9000	AFTER THE LEFT TURN SIGNAL	1	
5	33600-AH01-9000	RIGHT REAR TURN SIGNAL	1	
6	33720-AH01-9000	LED AFTER THE LICENSE PLATE LAMP	1	
7	33741-F8-E400	SIDE REFLECTOR. AMBER	2	
8	93401-42012-03	SCREW, ST4.2*12	10	
9	93401-48016-03	SCREW, ST4.8*16	4	
10	90601-F8-9000	NUT SPRING 4MM	4	
11	95101-05000-03	NUT FLANGE 5MM	2	
12	95201-06000-03	NUT FLANGE 6MM	2	



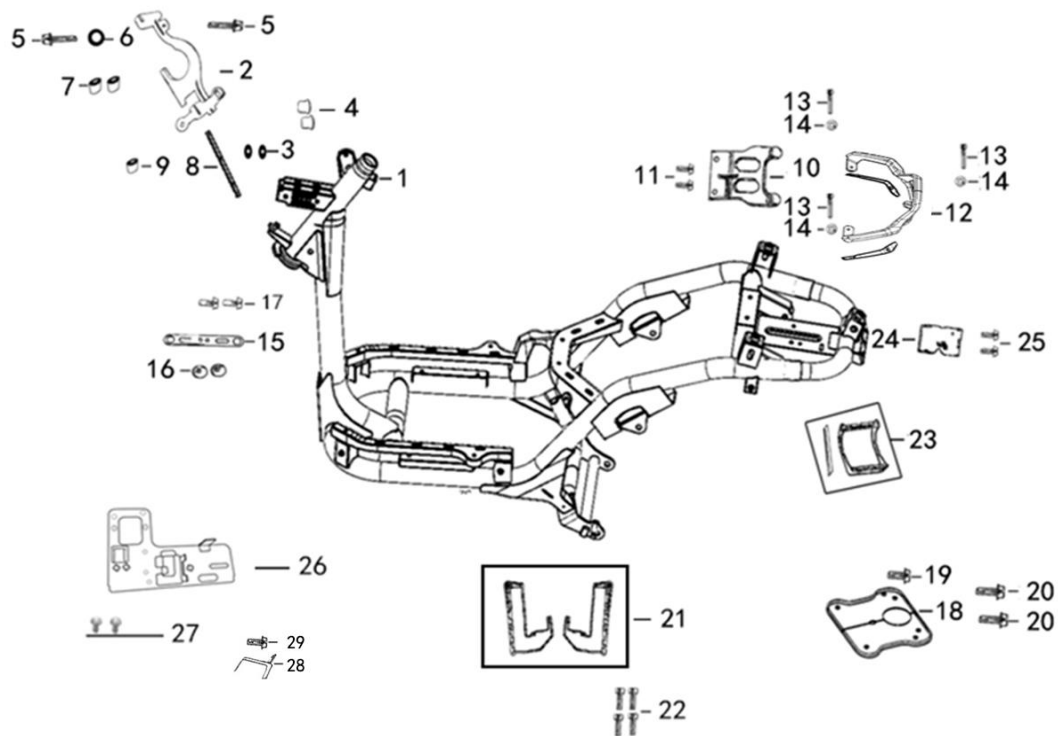
F19 = FENDER

No	NO PART	NAME PART	QTY	REMARK
1	61113-AH01-9000	FRONT FENDER	1	
2	50613-AH01-9000	CHASSIS BACKPLANE	1	
3	80105-AH01-9002	FRAME REAR FENDER	1	
4	61100-AH01-9000-R007	THE FRONT OF FRONT FENDER BASE COLOR	1	RED
4	61100-AH01-9000-DGR	THE FRONT OF FRONT FENDER BASE COLOR	1	GREY
4	61100-AH01-9000-B003	THE FRONT OF FRONT FENDER BASE COLOR	1	BLACK
5	61101-AH01-9000-R007	THE FRONT FENDER BACK BASE COLOR	1	RED
5	61101-AH01-9000-DGR	THE FRONT FENDER BACK BASE COLOR	1	GREY
5	61101-AH01-9000-B003	THE FRONT FENDER BACK BASE COLOR	1	BLACK
6	80102-B08-9000-B	THE REAR FENDER	1	
7	80106-FA-9000	REAR FENDER WATERPROOF FUR	1	
8	83552-DS-9000	DECORATING PLATE INSTALLATION OF RUBBER	2	
9	93401-48016-03	SCREW, ST4.8*16	3	
10	90601-F8-9000	NUT SPRING 4MM	3	
11	92101-06012-03	BOLT FLANGE 6*12	4	
12	92101-06016-03	BOLT FLANGE 6*16	4	
13	92101-06016-03	BOLT FLANGE 6*16	4	
14	80109-F8-9000	REAR WHEEL FENDER LEFT BRACKET	1	
15	92101-06012-03	BOLT FLANGE 6*12	2	
16	80110-ACA2-9000	REAR WHEEL FENDER RIGHT BRACKET	1	
17	92101-06012-03	BOLT FLANGE 6*12	2	
18	95201-06000-03	NUT FLANGE 6MM	2	



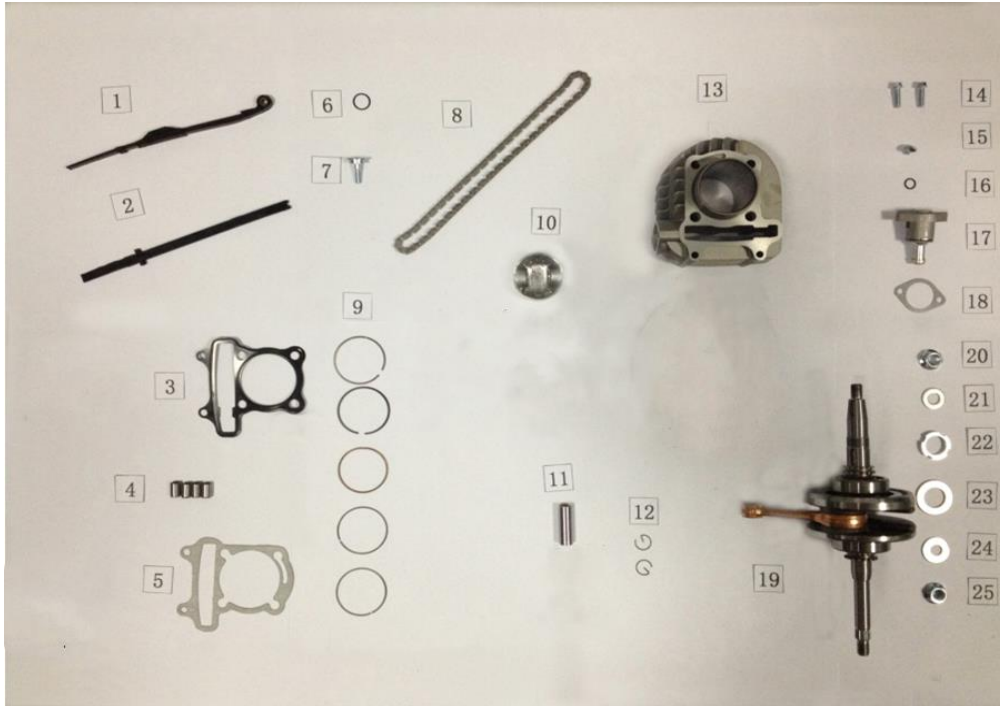
F20 = HARNESS WIRE & ELECTRICAL COMPONENTS

No	NO PART	NAME PART	QTY	REMARK
1	32100-AH01-9002	HARNESS WIRE	1	
2	99201-11500	Fuse	2	
3	3051A-F8-9100	IGNITION COIL	1	
4	92401-06020-03	BOLT FLANGE 6*20(T8)	1	
5	30410-DGW-9000	igniter	1	
6	31600-AFAA-9000	Voltage regulator	1	
7	92101-06016-03	Hexagonal flange screw M6*16	2	
8	95201-06000-03	Hexagonal flange nut M6	2	
9	38110-XF-9000	horn	1	
10	92101-06012-03	Hexagonal flange screw M6*12	1	
11	38300-F8-9400	Flasher	1	
12	35850-DGW-9100	Relay	1	
13	35010-AH01-9001	Sleeve lock	1	
14	92501-06020-03	Hexagon socket screw M6*20	2	
15	90006-F8-9000	Tie	5	
16	94591-17500	Clamp	6	
17	94591-AFA1-9100	Nylon clamp	15	
18	94591-AFA1-9200	small Nylon clamp	3	



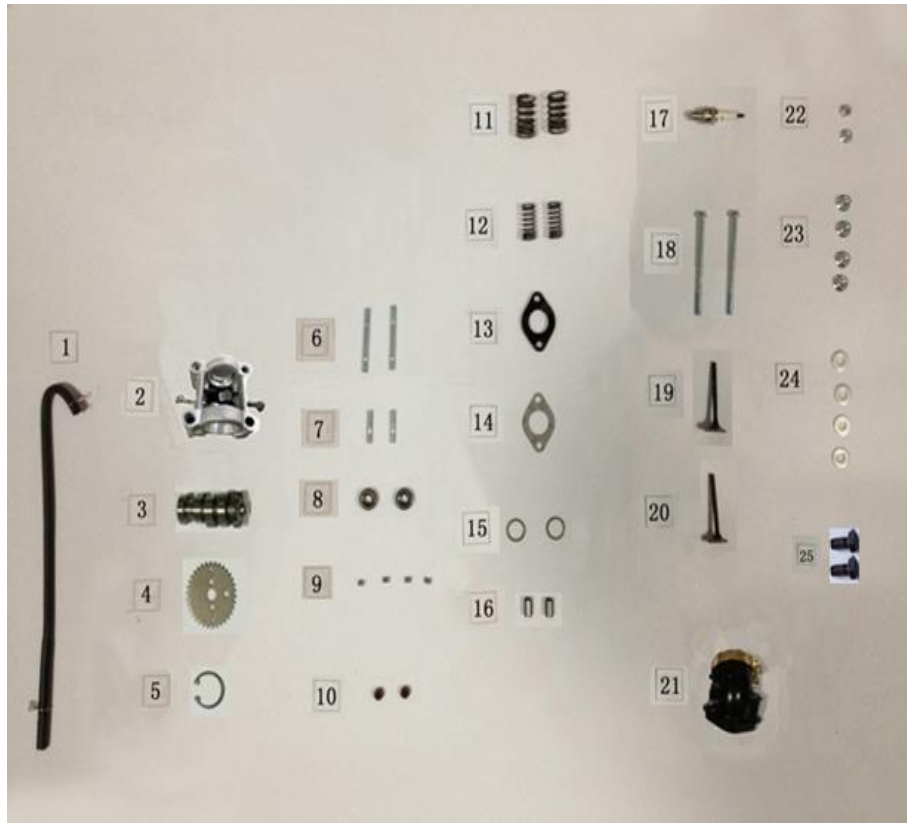
F21 = BODY COMP FRAME

No	NO PART	NAME PART	QTY	REMARK
1	50100-AH01-9006-M	THE FRAME	1	
2	50350-AH01-9101-M	HANGER	1	
3	50352-F8-9000	WASHER ,HANGER	3	
4	50354-F8-9000	HANGER HOLE PLUG	2	
5	92201-10055-03	BOLT FLANGE M10*55	2	
6	99121-F8-9000	HANGER LOCKING SLEEVE	1	
7	95401-10000-03	M10NUT, M10	2	
8	50356-F8-9000	BOLT ENG HANGER	1	
9	95401-10000-03	M10NUT, M10	1	
10	50320-AH01-9100-M	REAR FENDER BRACKET	1	
11	92101-06012-03	BOLT FLANGE 6*12	2	
12	81200-AH01-9000	LUGGAGE CARRIER	1	
13	92501-08025-03	BOLT SPECIAL 8*25	3	
14	95801-08000-03	WANSHWE 8MM	3	
15	50310-AH01-9000-M	FRONT PANEL BRACKET	1	
16	83552-DS-9000	DECORATING PLATE INSTALLATION OF RUBBER	4	
17	92101-06012-03	BOLT FLANGE 6*12	2	
18	61102-AH01-9000-M	FRONT WHEEL FENDER BRACKET	1	
19	92101-06012-03	BOLT FLANGE 6*12	1	
20	93002-06013-03	BOLT FLANGE 6*13	2	
21	5071A-AH01-9000	Pedals	1SET	
22	92501-08020-03	BOLT SPECIAL 8*20	4	
23	77201-AH01-9000-M	CUSHION ROCKER ARM AND SHAFT	1	
24	77235-AFA1-9000-M	SEAT CUSHION LOCK PLATE	1	
25	92101-06012-03	BOLT FLANGE 6*12	2	
26	50340-AH01-9000-M	Electric appliance fixing plate	1	
27	92201-08012-03	BOLT FLANGE 8*12	2	
28	30411-AH01-9000-M	SEAT CUSHION LOCK PLATE	1	
29	92101-06012-03	BOLT FLANGE 6*12	2	



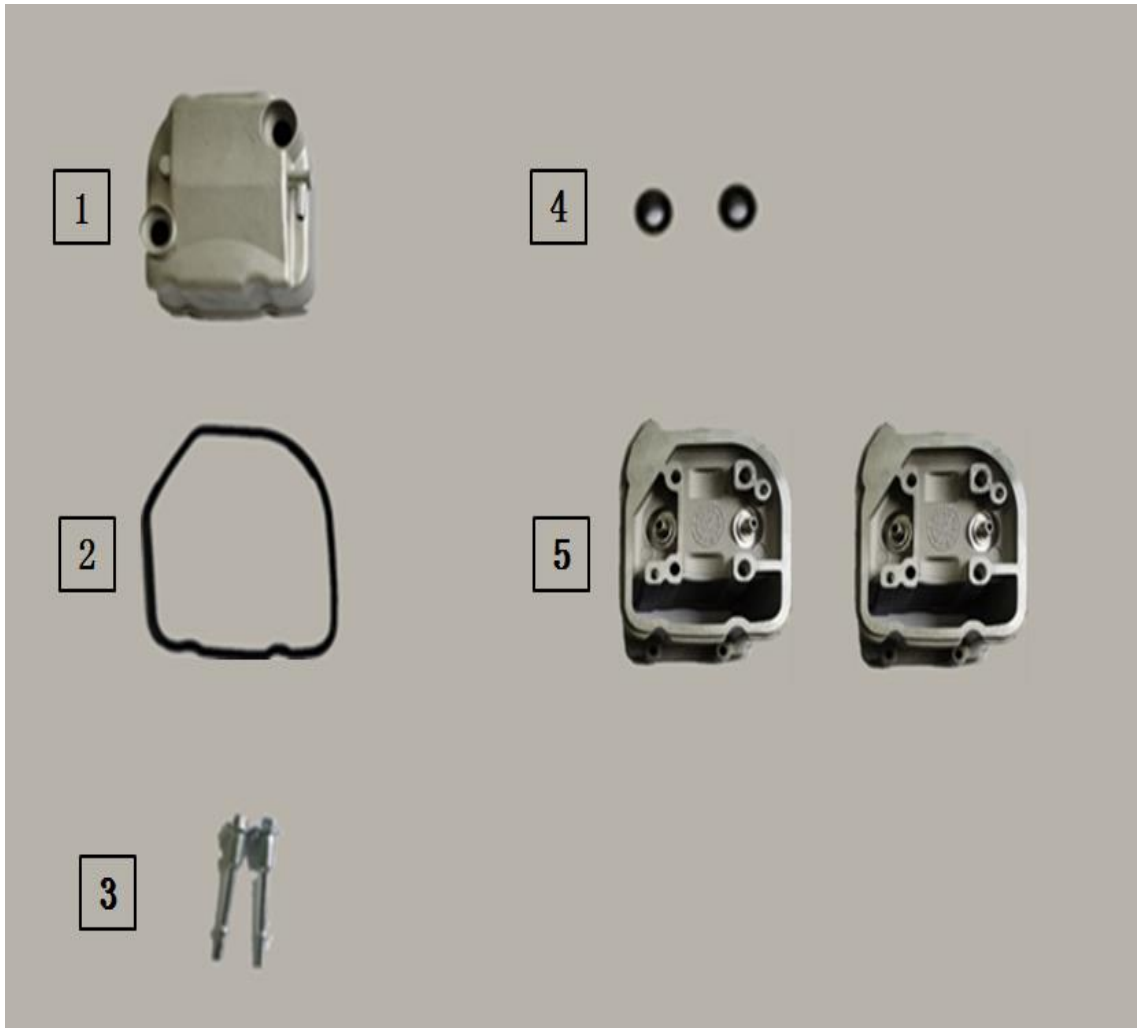
BLOCK & CRACKSHAFT

No.	NO PART	NAME PART	QTY	REMARK
1	14510-GY6A-9000	Tension rod chain	1	
2	14610-GY6A-9000	Guide comp chain	1	
3	12251-GY6P-9000	Gasket cylinder head	1	
4	94301-10016-00	Pin dowel 10*16	4	
5	12191-GY6N-9000	Cylinder pad of paper	1	
6	91300-00152-15	O-ring 15.2*1.5	1	
7	14531-GY6A-9000	Cam chain screw	1	
8	14401-GY7A-9000	Timing chain	1	
9	1301A-GY6F-9000	Piston ring .comp	1	
10	13101-GY7F-9000	Piston	1	
11	13111-GY6F-9000	Piston pin	1	
12	94601-GY6A-9001	Clip piston pin	2	
13	12100-GY6P-9000	Cylinder	1	
14	96001-06022-00	Bolt M6*22	2	
15	96009-06006-00	Bolt M6*6	1	
16	91300-00095-15	O-ring 9.5*1.5	1	
17	14520-GY6A-9000	Chain adjuster assy	1	
18	14521-GY6A-9000	Gasket chain adjuster	1	
19	13000-GY6A-9000	Crankshaft connecting-rod assy	1	
20	94051-12011-00	Nut M12*1.25 (11)	1	
21	90411-12024-20	Washer (12*24*2)	1	
22	94055-22006-00	Lock nut, crankshaft (M22*1*6)	1	
23	90411-22039-20	Washer (22*39*2)	1	
24	90411-12029-20	Washer (12*29*2)	1	
25	94050-12011-00	Nut M12*1.25 (11)	1	



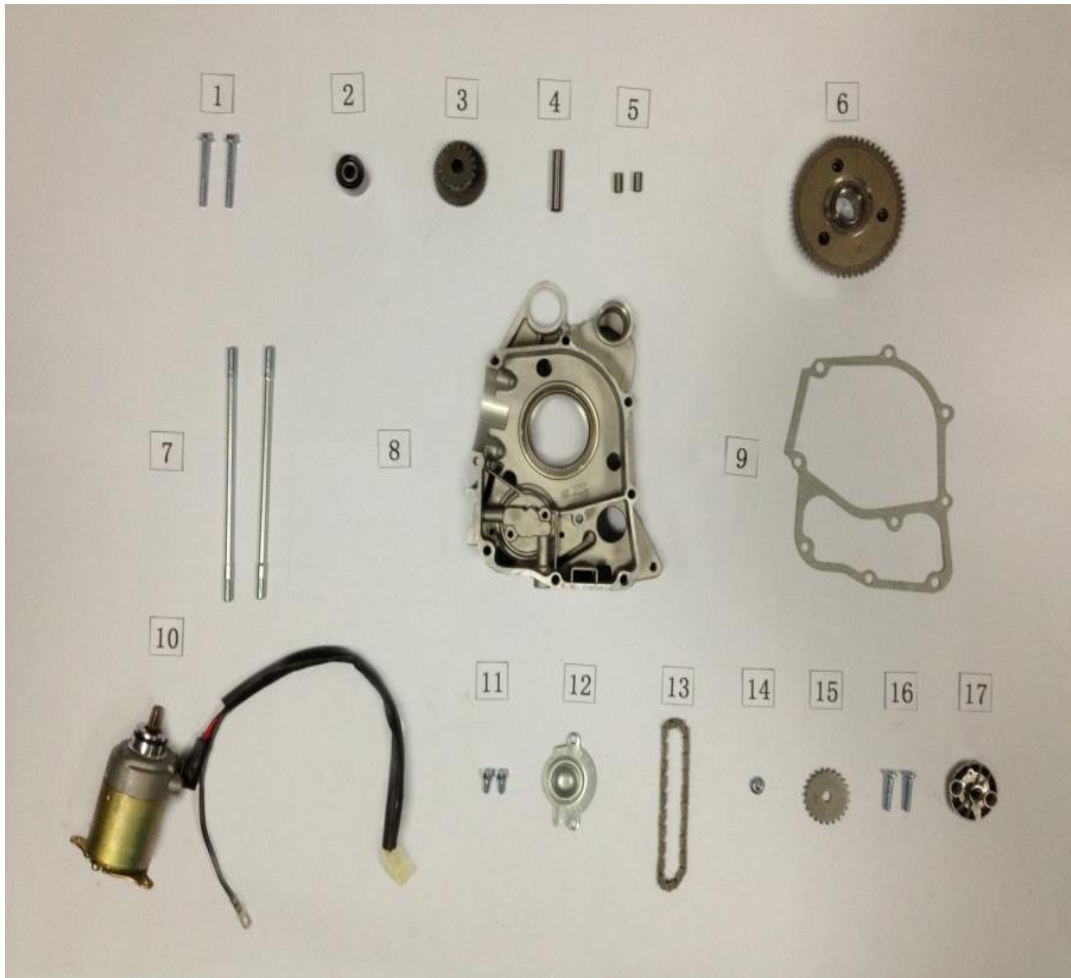
VALVE

No.	NO PART	NAME PART	QTY	REMARK
1	11211-GY6A-9038	Air tube	1	
2	1221A-GY6N-9000	Rocker bracket assembly	1	
3	14100-GY6N-9000		1	
4	14120-GY6N-9000		1	
5	13117-GY6N-9000		1	
6	96003-06063-00	Double end studs M6*63	2	
7	96003-08032-00	Double end studs M8*32	2	
8	14771-GY6A-9000	Retainer valve spring	2	
9	14781-GY6A-9000	Valve cone half	4	
10	91201-GY6A-9000-RB	Valve seals	2	
11	14751-GY6N-9000	Spring, valve outer	2	
12	14752-GY6N-9000	Spring, valve inner	2	
13	16211-GY6A-9000	Insulator carburetor	1	
14	16201-GY6A-9000	Gasket carburetor insulator	1	
15	14775-GY6A-9000	Valve spring washer	2	
16	94301-10016-00	Bowel pin 10*16	2	
17	30001-GY6A-9002	sparking plug	1	
18	96001-06100-00	Bolt M6*100	2	
19	14721-GY7A-9000	Valve intake	1	
20	14711-GY7A-9000	E*haust valve	1	
21	1711A-GY6A-9000	Inlet pipe	1	
22	94051-06006-00	Nut M6	2	
23	94050-08008-00	Nut M8	4	
24	90411-08019-15	WasherΦ8*ø19*1.5	4	
25	96005-05012-04	Hexagonal flat head screw	2	



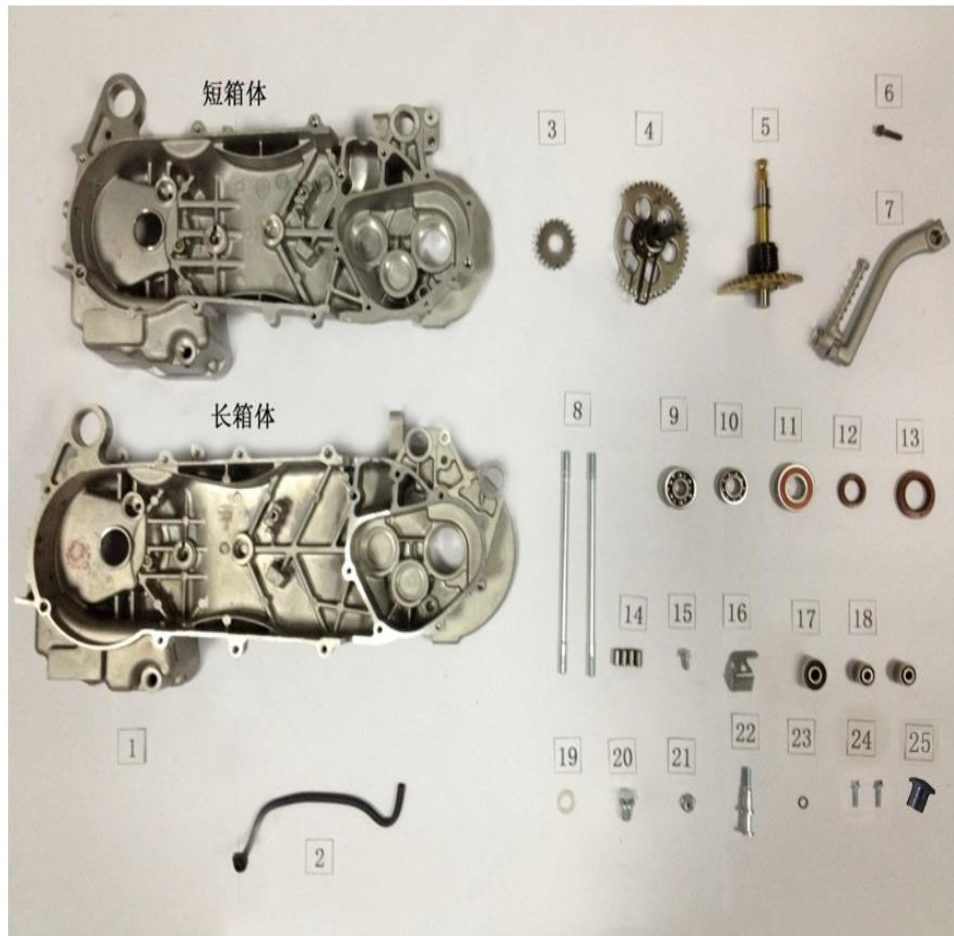
CYLINDER COVER

No.	NO PART	NAME PART	QTY	REMARK
1	12310-GY6N-9000	Cylinder head cover	1	
2	91301-GY6N-9000	Gasket head cover	1	
3	12371-GY6N-9000	Cylinder head screws	2	
4	12372-GCC1-9000	Cylinder head cover fastening screw rubber pad	2	
5	12200-GY6P-9000	Cyliner head	1	



R. CRACKCASE

No.	NO PART	NAME PART	QTY	REMARK
1	96001-06050-00	Bolt M6*50	2	
2	11102-GY6A-9000-WHZK	Bush enging hanger	1	
3	28101-GY6A-9000	Gear starter reduction	1	
4	28102-GY6A-9000	Shaft starter reduction gear	1	
3+4	2810A-GY6A-9000	Double tooth assembly	1	
5	94301-08014-00	Bowel pin 8*14	2	
6	2812A-GY6A-9000	Clutch assy	1	
7	96003-08201-06	Double end studs M8*201	2	
8	11100-GY6N-9000	Crank case comp right	1	
9	11192-GY6A-9000	Gasket crandcaser	1	
10	3120A-GY6A-9000	Starting motor assy	1	
11	96001-06012-00	Bolt M6*12	2	
12	15711-GY6A-9000	Separator oil	1	
13	15141-GY6A-9000	Sprocket drive	1	
14	94050-06006-00	Nut M6	1	
15	15133-GY6A-9000	Sprocket drive	1	
16	96004-06030-00	Cross head countersunk screw	2	
17	1510A-GY7A-9000	Pump assy oil	1	



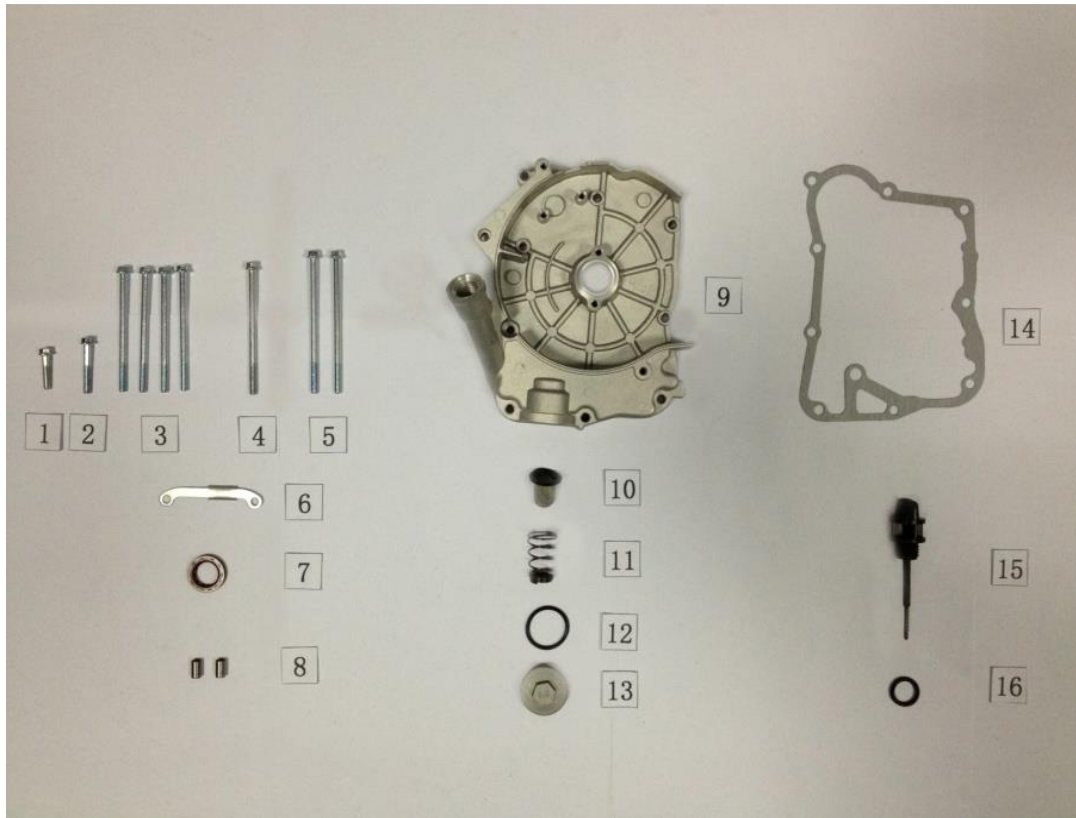
L. CRANKCASE

No.	NO PART	NAME PART	QTY	REMARK
1	11200-GY6N-9100	Left crank case (e*ttended)	1	
2	11221-GY6A-9000	Tube breather assy	1	
3	28221-GY6A-9000	Gear kick driven	1	
4	28230-GY6A-9000	Starting idle gear assy	1	
5	2825A-GY6A-9146	Kick start spindle assy	1	
6	96001-06025-01	Bolt M6*25	1	
7	28300-GY6A-9000	Kick start pedal	1	
8	96003-08209-06	Double end studs M8*209	2	
9	96100-63010-00-RH	Bearing radial ball 6301	1	
10	96100-60020-00-RH	Bearing radial ball 6002	1	
11	96100-60040-01-RH	Bearing radial ball6004	1	
12	91203-19830-50-RB	Left oil seal 19.8*30*5	1	
13	91200-27042-70-RB	Oil seal 27*42*7	1	
14	94301-08014-00	Bowel pin 8*14	4	
15	96001-06014-00	Bolt M6*14	1	
16	11209-GY6A-9000	Plate kick return stopper	1	
17	11102-GY6A-9000-WHZK	Bush enging hanger	1	
18	11203-GY6A-9000-WHZK	Shock absorber tube	2	
19	90421-12020-15	Oil drain plug gasket (ø12 * 20 * 1.5)	1	
20	96001-12015-00	Oil plug	1	
21	94052-08008-00	Nut M8	1	
22	11202-GY6A-9000	Pin brake shoe anchor	1	
23	91300-00075-15	O-ring 7.5*1.5	1	
24	96001-06016-00	Bolt M6*16	2	



MISSION CASE

No.	NO PART	NAME PART	QTY	REMARK
1	21395-GY6A-9000	Paper cushion gear	1	
2	91200-20032-60-RB	Oil seal20*32*6	1	
3	96001-08012-00	Bolt M8*12	2	
4	90421-08016-15	Gasket $\phi 8 * \phi 16 * 1.5$	2	
5	23411-GY6A-9000	Input shaft	1	
6	21301-GY6A-9000	Gear bo* case	1	
7	23420-GY6A-9000	Mid gear	1	
8	23432-GY6A-9000	Final gear	1	
9	96100-62040-00-RH	Bearing radial ball 6204	1	
10	96100-62020-00-RH	Bearing radial ball 6202	1	
11	96100-62030-00-RH	Bearing radial ball6203	1	
12	23431-GY6A-9000-SH	Output shaft (short axis)	1	
13	96001-06035-00	Bolt M6*35	3	
14	96001-06028-00	Bolt M6*28	3	
15	94050-12008-00	Nut M12*1.25(8)	1	
16	90411-12029-20	Washer (12*29*2)	1	



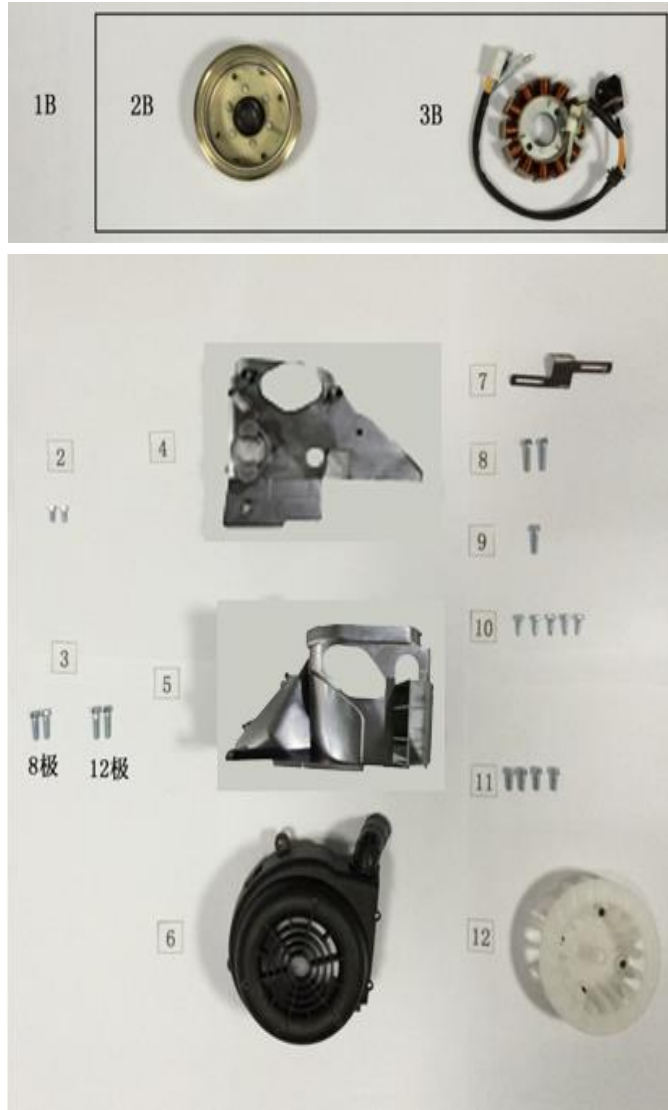
R. CASE COVER

No.	NO PART	NAME PART	QTY	REMARK
1	96001-06028-00	Bolt M6*28	1	
2	96001-06032-00	Bolt M6*32	1	
3	96001-06095-00	Bolt M6*95	4	
4	96001-06100-00	Bolt M6*100	1	
5	96001-06110-00	Bolt M6*110	2	
6	32961-GY6A-9000	Clamper magneto	1	
7	91200-19830-50-RB	Right oil seal19.8*30*5	1	
8	94301-08014-00	Bowel pin 8*14	2	
9	11331-GY6A-9000	Right crankcase cover	1	
10	15421-GY6A-9000	Oil network	1	
11	15426-GY6A-9000	Oil filter spring	1	
12	91300-00308-30	O-ring	1	
13	12361-GY6A-9000	oil network cover	1	
14	11394-GY6A-9000	Right crankcase cover paper pad	1	
15	15651-GY6A-9000	Fuel guage assy,	1	
16	91300-00180-30	O-ring	1	



L. CASE COVER

No.	NO PART	NAME PART	QTY	REMARK
1	11381-GY6A-9000	Throttle clamp	1	
2	11382-GY6A-9000	Clamper brake cable	1	鼓刹专用
3	96007-04008-00	Screw st4*8-c-h	4	
4	11380-GY6A-9000	Platel cover	1	
5	50504-GY6A-9000	Plate	1	
6	96001-06012-00	Bolt M6*12	1	
7	96001-06040-00	Bolt M6*40	7	长箱体边盖
8	96001-06045-00	Bolt M6*45	1	
9	96001-06065-00	Bolt M6*65	1	
10	96001-06070-00	Bolt M6*70	1	
11	11341-GY6C-06	Small round jet black on the left cover	1	
12	11395-GY6C-9000	Gasket r crankcase cover	1	长箱体



FLYWHEEL & STATOR

No.	NO PART	NAME PART	QTY	REMARK
1B	3110A-GY6A-9100	Magnetic motor assembly (12 pole)	1	
2B	31110-GY6A-9100	Magneto flywheel	1	
3B	31120-GY6A-9100	Magneto Coil	1	
3	96001-06025-00	Bolt M6*25	2	12极磁电机
4	1963A-GY6N-9000	Shroud comp b(Cooling type)	1	
5	19620-GY6N-9000	Shroud comp a(Cooling type)	1	
6	1961A-GY6A-9000	Cooling fan cover assy(Cooling type)	1	
7	19613-GY6A-9000	Clamper starter cable	1	
8	96001-06025-00	Bolt M6*25	2	
9	96001-06022-00	Bolt M6*22	1	
10	96008-05016-00	Screw tappingst5*16-c-h	5	
11	96001-06018-00	Bolt M6*18	4	
12	19510-GY7A-9000	Wind wheel	1	



MOVABLE & PULLEY

No.	NO PART	NAME PART	QTY	REMARK
1	23100-GY6C-9000-GC	Belt drive 835	1	
2	2210A-GY6A-9003	Driver wheel groupware	1	
3	22102-GY6A-9000	Drive belt drive fan	1	
4	22105-GY6A-9000	Village sets of driving wheel	1	
5	22131-GY6A-9000	Ramp plate	1	
6	22132-GY6A-9000	Ramp Edge Piece Set	3	
7	22121-GY6A-9003	Ball assembly (weight 13g beads)	6	
8	22110-GY6A-9000	Sliding disk drive peer group	1	
9	2301A-GY6A-8000-CX	Pulley assy driven	1	
10	23010-GY6A-9000	Outer clutch	1	
11	23011-GY6A-8000-CX	Plate sub assy driven	1	