

CONTENTS—FRAME GROUP

<p>F01</p> <p style="text-align: center;">LOCK KIT</p>	<p>F02</p> <p style="text-align: center;">MUFFLER</p>	<p>F03-1</p> <p style="text-align: center;">MAIN FRAME</p>
<p>F03-2</p> <p style="text-align: center;">REAR FRAME</p>	<p>F03-3</p> <p style="text-align: center;">GEARSHIFT LEVER</p>	<p>F04-1</p> <p style="text-align: center;">PLASTICS 1</p>
<p>F04-2</p> <p style="text-align: center;">PLASTICS 2</p>	<p>F04-3</p> <p style="text-align: center;">PLASTICS 3</p>	<p>F04-4</p> <p style="text-align: center;">PLASTICS 4</p>
<p>F04-5</p> <p style="text-align: center;">PLASTICS 5</p>	<p>F04-6</p> <p style="text-align: center;">PLASTIC 6</p>	<p>F04-7</p> <p style="text-align: center;">PLASTIC 7</p>

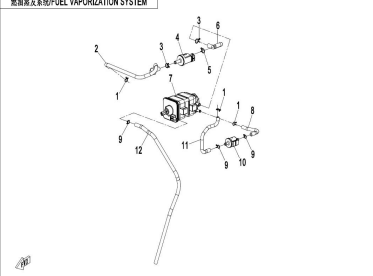

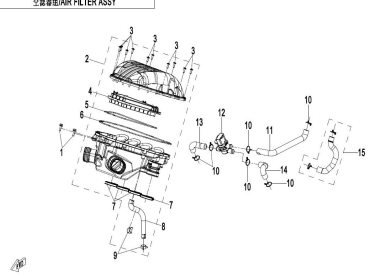
CONTENTS—FRAME GROUP

<p>F04-8</p> <p style="text-align: center;">PLASTIC 8</p> <p style="text-align: center;">塑料件 Ⅷ PLASTICS Ⅷ</p>	<p>F04-9</p> <p style="text-align: center;">PLASTIC 9</p> <p style="text-align: center;">塑料件 Ⅸ PLASTICS Ⅸ</p>	<p>F05</p> <p style="text-align: center;">FRONT SUSPENSION</p> <p style="text-align: center;">前悬架/FRONT SUSPENSION</p>
<p>F0-6</p> <p style="text-align: center;">REAR SUSPENSION</p> <p style="text-align: center;">后悬架/REAR SUSPENSION</p>	<p>F07-A</p> <p style="text-align: center;">FRONT WHEEL(WITHOUT TPMS)</p> <p style="text-align: center;">前轮/FRONT WHEEL</p>	<p>F07-B</p> <p style="text-align: center;">FRONT WHEEL(TPMS)</p> <p style="text-align: center;">前轮/FRONT WHEEL</p>
<p>F0-8</p> <p style="text-align: center;">BRAKE SYSTEM</p> <p style="text-align: center;">制动系统/BRAKE SYSTEM</p>	<p>F0-10</p> <p style="text-align: center;">STEERING SYSTEM</p> <p style="text-align: center;">转向系统/STEERING SYSTEM</p>	<p>F11-A</p> <p style="text-align: center;">REAR WHEEL</p> <p style="text-align: center;">后轮/REAR WHEEL</p>
<p>F11-B</p> <p style="text-align: center;">REAR WHEEL</p> <p style="text-align: center;">后轮/REAR WHEEL</p>	<p>F12</p> <p style="text-align: center;">FUEL TANK</p> <p style="text-align: center;">油箱/FUEL TANK</p>	<p>F13</p> <p style="text-align: center;">SEAT</p> <p style="text-align: center;">座椅/SEAT</p>

CONTENTS—FRAME GROUP

<p>F14</p> <p style="text-align: center;">FOOTREST</p>	<p>F15</p> <p style="text-align: center;">ELECTRIC SYSTEM</p>	<p>F16</p> <p style="text-align: center;">LIGHTS</p>
<p>F17</p> <p style="text-align: center;">DASHBOARD</p>	<p>F18</p> <p style="text-align: center;">COOLING SYSTEM</p>	<p>F19-1</p> <p style="text-align: center;">LABEL</p> <div style="border: 1px solid black; padding: 5px;"> <p>WARNING</p> <p>Failure to follow these instructions may result in serious injury or death.</p> <ul style="list-style-type: none"> ◆ Read the Owner's Manual carefully before riding. Do not attempt to do any repairs/modification to your motorcycle. ◆ Always wear helmet and protective gear. ◆ Do not attempt operation of the vehicle or engine, but do not touch rotating parts such as wheels during running. ◆ Do not attempt to start the engine if there is any problem with the fuel system or electrical system. ◆ Never use vehicle as a lift or a platform regularly. ◆ Do not use the engine as a pump for any purpose. ◆ Do not touch the engine when it is hot. ◆ Do not touch the engine when it is hot. <p style="text-align: right;">CFMOTO</p> </div> <div style="border: 1px solid black; padding: 5px; margin-top: 10px;"> <p>WARNING</p> <p>The passenger strap is hidden under the rear seat cushion.</p> <p style="text-align: right;">CFMOTO</p> </div>
<p>F19-2</p> <p style="text-align: center;">DECAL</p>	<p>F19-3-A</p> <p style="text-align: center;">DECAL KITS(ZEPHYR BLUE)</p> <p>6ARV-190100-1000-10个性贴花总成</p>	<p>F19-3-B</p> <p style="text-align: center;">DECAL KITS(NEBULA WHITE)</p> <p>6ARV-190100-1000-11个性贴花总成</p>
<p>F19-4</p> <p style="text-align: center;">GSO LABEL(MIDDLE EAST GULF STATES)</p> <div style="border: 1px solid black; padding: 10px;"> <p>Name of the Manufacturer: ZHEJIANG CFMOTO POWER CO., LTD.</p> <p>Country of Production: CHINA Year and month of production:</p> <p>VIN:</p> <p>Engine capacity: cc Model year:</p> <p>This motorcycle complies with all GSO Technical Regulations and GSO Standards in effect up to the date of manufacture.</p> </div>	<p>F19-5</p> <p style="text-align: center;">EAC LABEL (KAZAKHSTAN)</p>	<p>F20</p> <p style="text-align: center;">TOOLS</p>

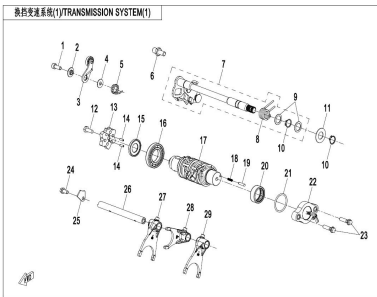
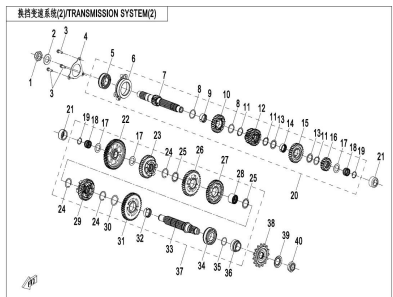
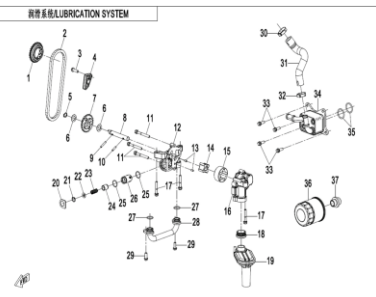
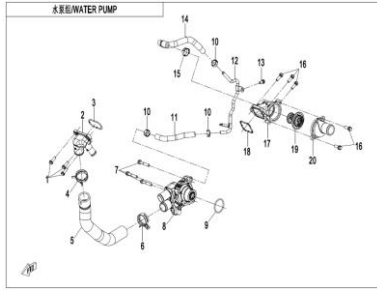
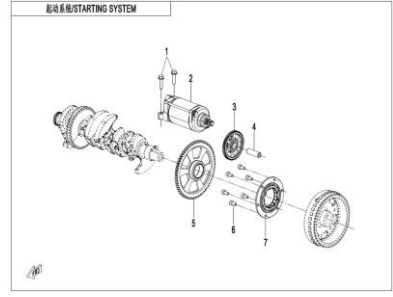
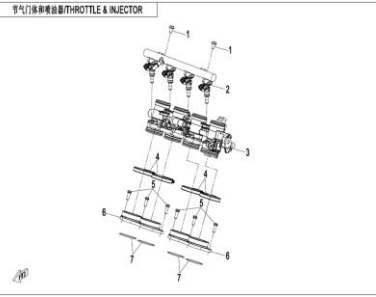
CONTENTS—FRAME GROUP

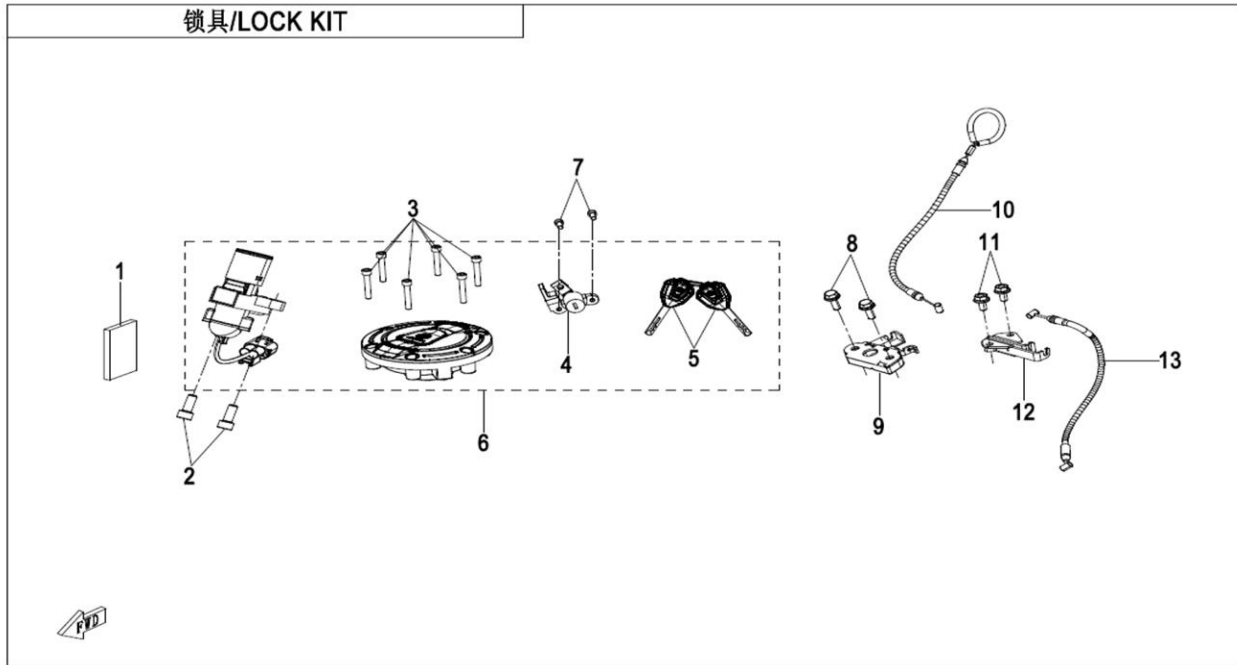
F36 FUEL EVAPORATION SYSTEM	F38 OWNER'S MANUAL	F41 AIR FILTER ASSY
<p>燃油蒸发系统/FUEL VAPORIZATION SYSTEM</p> 		<p>空滤总成/AIR FILTER ASSY</p> 

CONTENTS—ENGINE GROUP

<p>E01-1</p> <p style="text-align: center;">UPPER & LOWER CRANKCASE</p>	<p>E01-2</p> <p style="text-align: center;">LEFT & RIGHT SIDE COVER</p>	<p>E01-3</p> <p style="text-align: center;">OIL PAN</p>
<p>E02-1</p> <p style="text-align: center;">CYLINDER HEAD COVER</p>	<p>E02-2</p> <p style="text-align: center;">CYLINDER HEAD(1)</p>	<p>E02-3</p> <p style="text-align: center;">CYLINDER HEAD(2)</p>
<p>E02-4</p> <p style="text-align: center;">CYLINDER BODY</p>	<p>E02-5</p> <p style="text-align: center;">CAMSHAFT ASSY</p>	<p>E03</p> <p style="text-align: center;">MAGNETO ASSY</p>
<p>E04-1</p> <p style="text-align: center;">CRANKSHAFT & CONNECTING ROD(1)</p>	<p>E04-2</p> <p style="text-align: center;">CRANKSHAFT & CONNECTING ROD(2)</p>	<p>E05</p> <p style="text-align: center;">CLUTCH SAAY</p>

CONTENTS—ENGINE GROUP

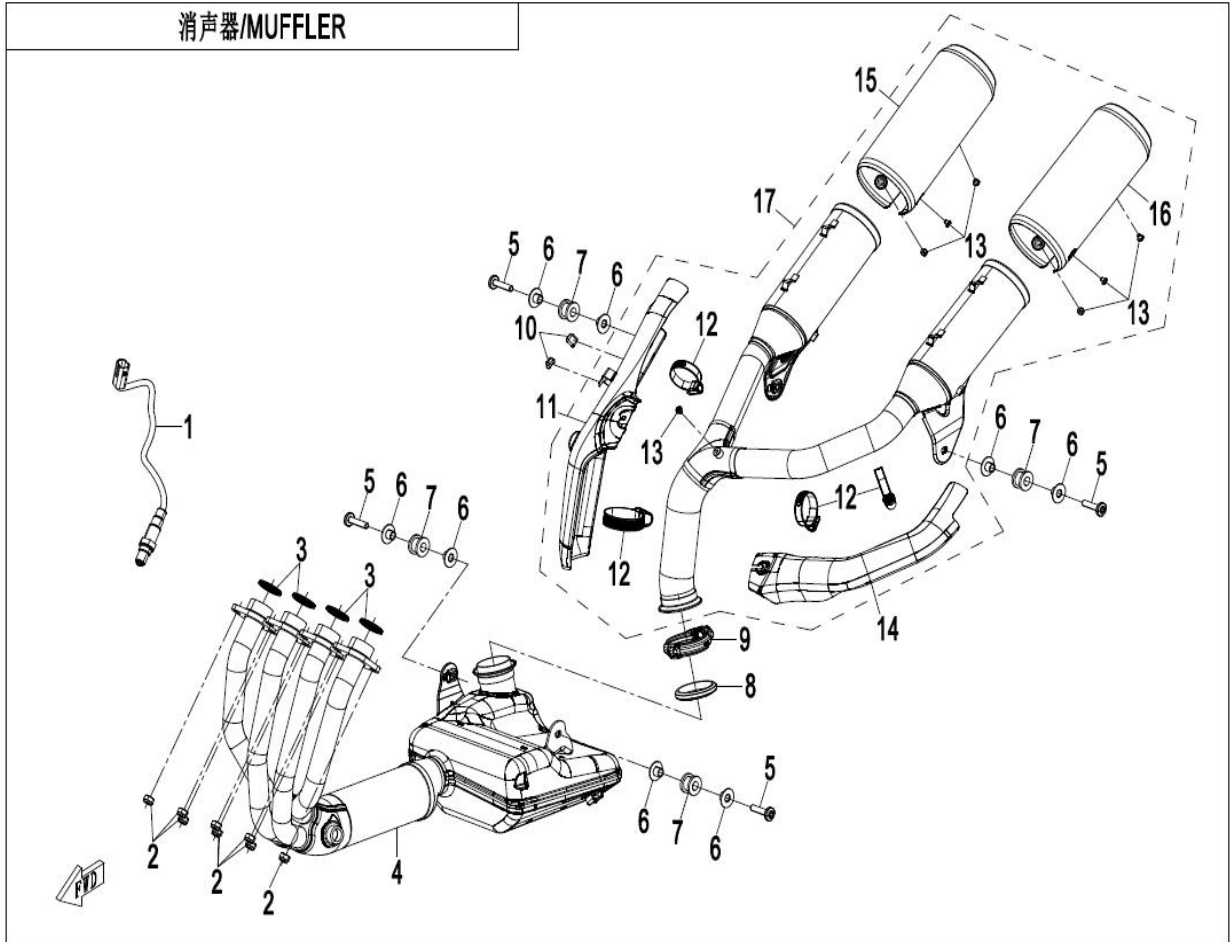
<p>E06-1</p> <p style="text-align: center;">TRANSMISSION SYSTEM(1)</p> 	<p>E06-2</p> <p style="text-align: center;">TRANSMISSION SYSTEM(2)</p> 	<p>E07</p> <p style="text-align: center;">LUBRICATION SYSTEM</p> 
<p>E08</p> <p style="text-align: center;">WATER PUMP</p> 	<p>E09</p> <p style="text-align: center;">STARTING SYSTEM</p> 	<p>E17</p> <p style="text-align: center;">THROTTLE & INJECTOR</p> 



F01 LOCK KIT

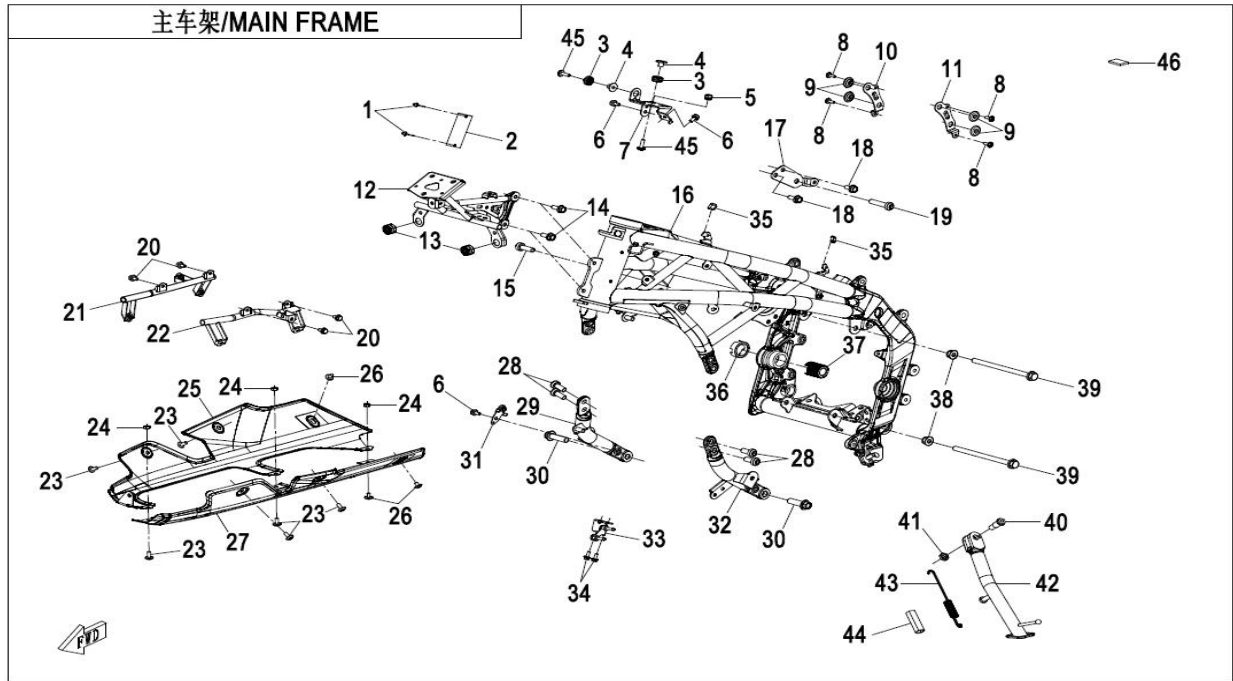
Item No.	Parts Number	Parts Name(EN)	Qty	Specification
01	5270-150001	BATTERY FOAM MAT LH AND RH	1	
02	30102-080016810	INNER HEX SCREW	2	M8x16@TRIVALENT CHROMIUM
03	30102-0500304S0	INNER HEX SCREW	6	
04	6GUV-010310-6001	SEAT LOCK	1	
05	6KMV-011020-B001	KEY	2	
06	6ARV-011000-1000	LOCK KIT	1	
07	30102-050012810	SCREW	2	M5x12@COLOR ZINC TRIVALENT CHROMIUM
08	30006-060016810	BOLT	2	M6x16
09	6GU#-010320-6000	LOCK SEAT, SEAT	1	
10	6ARV-010800-1000	PULL RING SEAT CABLE	1	
11	30006-060012810	BOLT	2	M6x12
12	A000-010600	LOCK SEAT, SEAT	1	
13	6ARV-010900-1000	SEAT CABLE	1	

消声器/MUFFLER



F02 MUFFLER

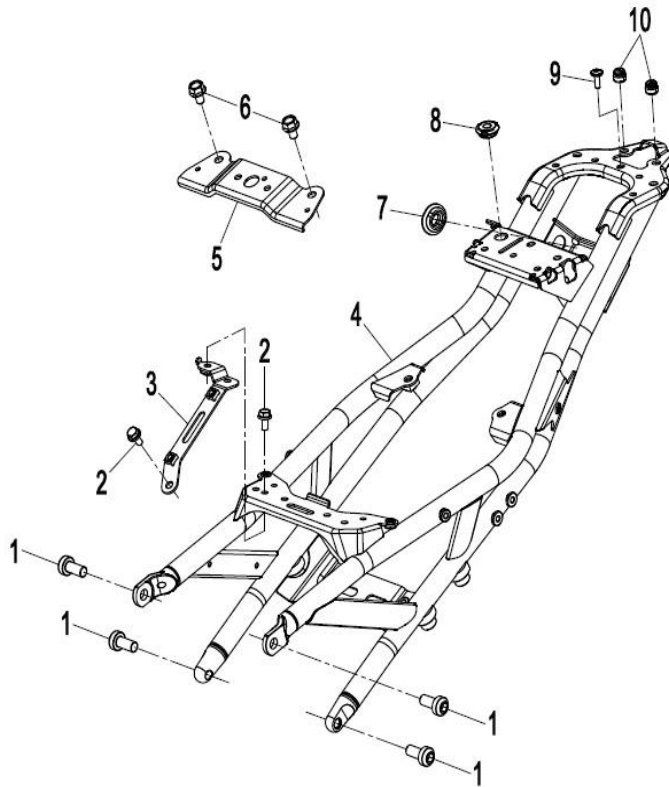
Item No.	Parts Number	Parts Name(EN)	Qty	Specification
01	0HU0-176000	OXYGEN SENSOR	1	
02	6L30-020005	LOCK NUT	8	
03	6SMV-020010-1000	EXPORT GASKET	4	
04	6ARV-021100-1001	EXHAUST MUFFLER ASSY	1	
05	6ARV-020004-1000	SCREW	4	M8×35
06	6GU#-020002-6001	BUSHING	8	
07	A000-020004	DAMPER, MUFFLER	4	
08	6L30-021001	SEAL SLEEVE 1, GRAPHITE	1	
09	C63605058100	CLAMP	1	
10	6GU#-021005-6000	GUARD RUBBER SLEEVE	2	
11	6ARV-021010-1001	EXHAUST PIPE HEAT INSULATOR GUARD 1	1	
12	7030-021305	SCREW CLAMP, A-TYPE	4	
13	6ARV-021300-1000-20	SCREW	7	
14	6ARV-021020-1001	EXHAUST PIPE HEAT INSULATOR GUARD 2	1	
15	6ARV-021381-1000	RH REAR MUFFLER DECO GUARD	1	
16	6ARV-021380-1000	LH REAR MUFFLER DECO GUARD	1	
17	6ARV-021300-1001	REAR MUFFLER BODY ASSY	1	



F03-1 MAIN FRAME

Item No.	Parts Number	Parts Name(EN)	Qty	Specification
01	30902-0401320	RIVET	2	φ4×13
02	6FIA-190012	VIN PLATE	1	
03	6WWWV-030019-5000	CUSHION SLEEVE	2	
04	9060-180029	RADIATOR SLEEVE TUBE	2	
05	6WWWV-045801-5000	PITTED RUBBER	1	
06	30006-060012810	BOLT	3	M6×12
07	6ARV-030250-1000	ABS BRACKET	1	
08	30006-050010810	BOLT	4	M5×10
09	6KMOV-041112-3000	M6 RUBBER SLEEVE	4	
10	6ARV-030141-1000	RH SHIELD GUARD BRACKET	1	
11	6ARV-030131-1000	LH SHIELD GUARD BRACKET	1	
12	6ARV-030500-1000	FRONT BRACKET ASSY	1	
13	6KWV-030003-1000	HEADLIGHT BRACKET SLEEVE	2	
14	30006-080020810	BOLT	2	M8×20
15	6AQV-030007-6000	SCREW	1	
16	6ARV-033000-1001-0BP00	FRONT FRAME ASSY	1	MAUD SPIRIT BLACK
17	6ARV-033111-1000	ENGINE FRONT LH BRACKET	1	
18	30006-080016810	BOLT	2	M8×16
19	6WWWV-030011-5000	INNER HEX SCREW M10x45	1	
20	6WWWV-046702-5000	INNER HEX SCREW M6x12	4	
21	6ARV-030020-1001	ENGINE LOWER RH GUARD BRACKET ASSY	1	
22	6ARV-030010-1001	ENGINE LOWER LH GUARD BRACKET ASSY	1	
23	A000-040702	INNER HEX SCREW M6x12	6	M6x12
24	30202-060110	NUT	3	M6
25	6ARV-030171-1002	RH LOWER GUARD	1	
26	6100-120005	INNER HEX SCREW M6x8	3	M6x8
27	6ARV-030161-1000	LH LOWER GUARD	1	
28	6GU#-030007-6000	REAR FRAME BOLT	4	
29	6ARV-030360-1001	ENGINE RH EXTENSION ASSY	1	
30	30024-122040110	BOLT	2	
31	6ARV-030071-1000	T-PIPE BRACKET	1	
32	6ARV-030350-1001	ENGINE LH EXTENSION ASSY	1	
33	6ARV-004110-1500	SECONDARY GULP VALVE BRACKET ASSY	1	
34	30006-050012810	BOLT	2	M5×12
35	6GU#-021005-6000	GUARD RUBBER SLEEVE	2	
36	6ARV-033826-1000	NUT	1	
37	6ARV-033825-1001	NUT	1	
38	30204-102110	NUT	2	M10×1.25
39	30001-102150110	BOLT M10x1.25x150	2	M10x1.25x150
40	A000-030006	SIDE STAND BOLT	1	
41	30208-102010	NUT	1	M10×1.25
42	6ARV-030400-1000-0BP00	SIDE BRACKET ASSY	1	MAUD SPIRIT BLACK
43	A000-030210	SIDE STAND SPRING ASSY	1	
44	A000-030004	SIDE STAND SPRING SLEEVE	1	
45	6WWWV-046902-5000	INNER HEX SCREW M6x20	2	

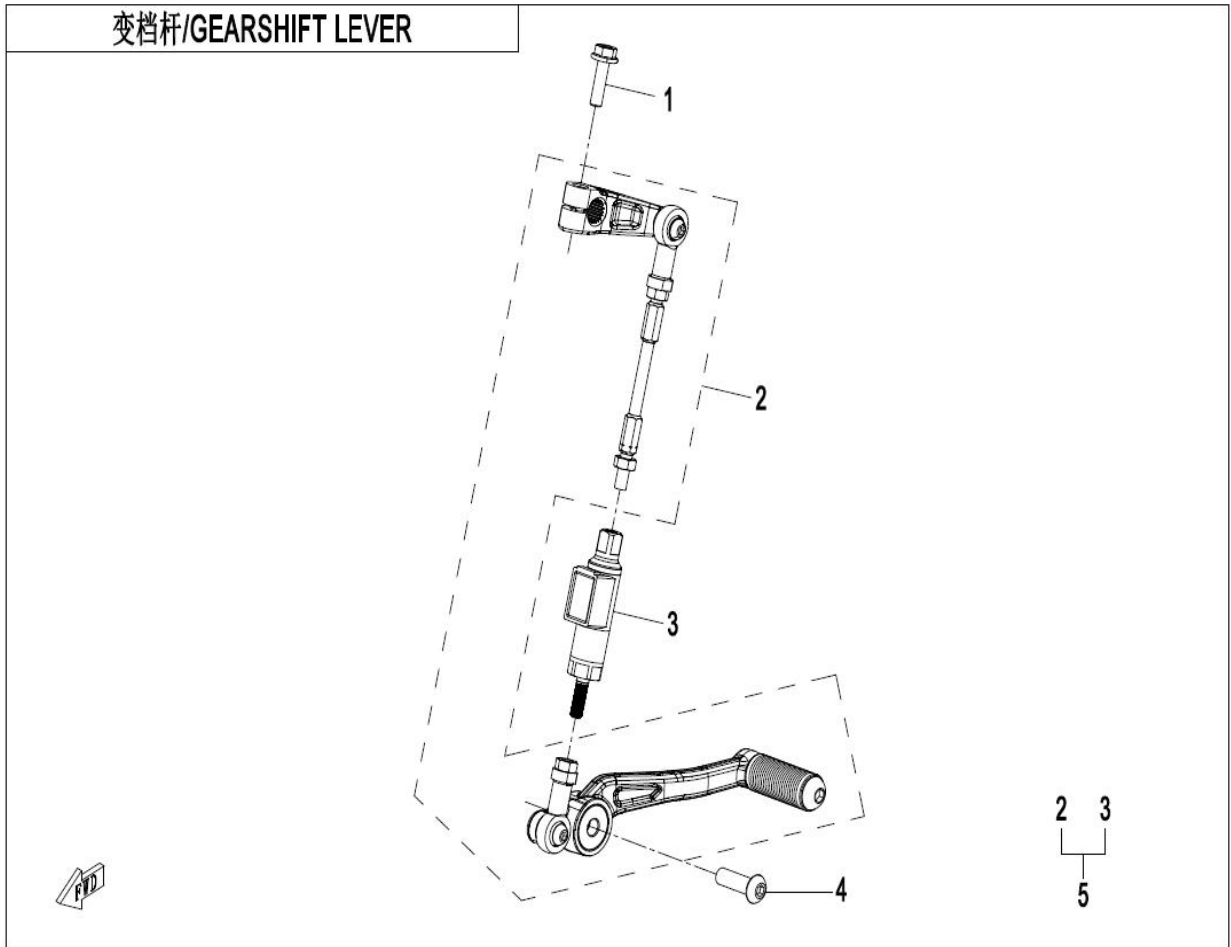
副车架/REAR FRAME



F03-2 REAR FRAME

Item No.	Parts Number	Parts Name(EN)	Qty	Specification
01	6L30-030092	BOLT M10x22	4	M10x22
02	6WWV-046702-5000	INNER HEX SCREW M6x12	2	
03	6ARV-030070-1000	RADIATOR LOWER BRACKET	1	
04	6ARV-032000-1002	REAR FRAME ASSY	1	
05	6ARV-030110-1000	DRIVER SEAT BRACKET	1	
06	30006-080016810	BOLT	2	M8x16
07	8080-040064	FRONT FENDER DAMPER	1	
08	5BY0-040010	RUBBER SLEEVE	1	
09	6WWV-047102-5000	INNER HEX SCREW M5x14	1	
10	6WWV-045801-5000	PITTED RUBBER	2	

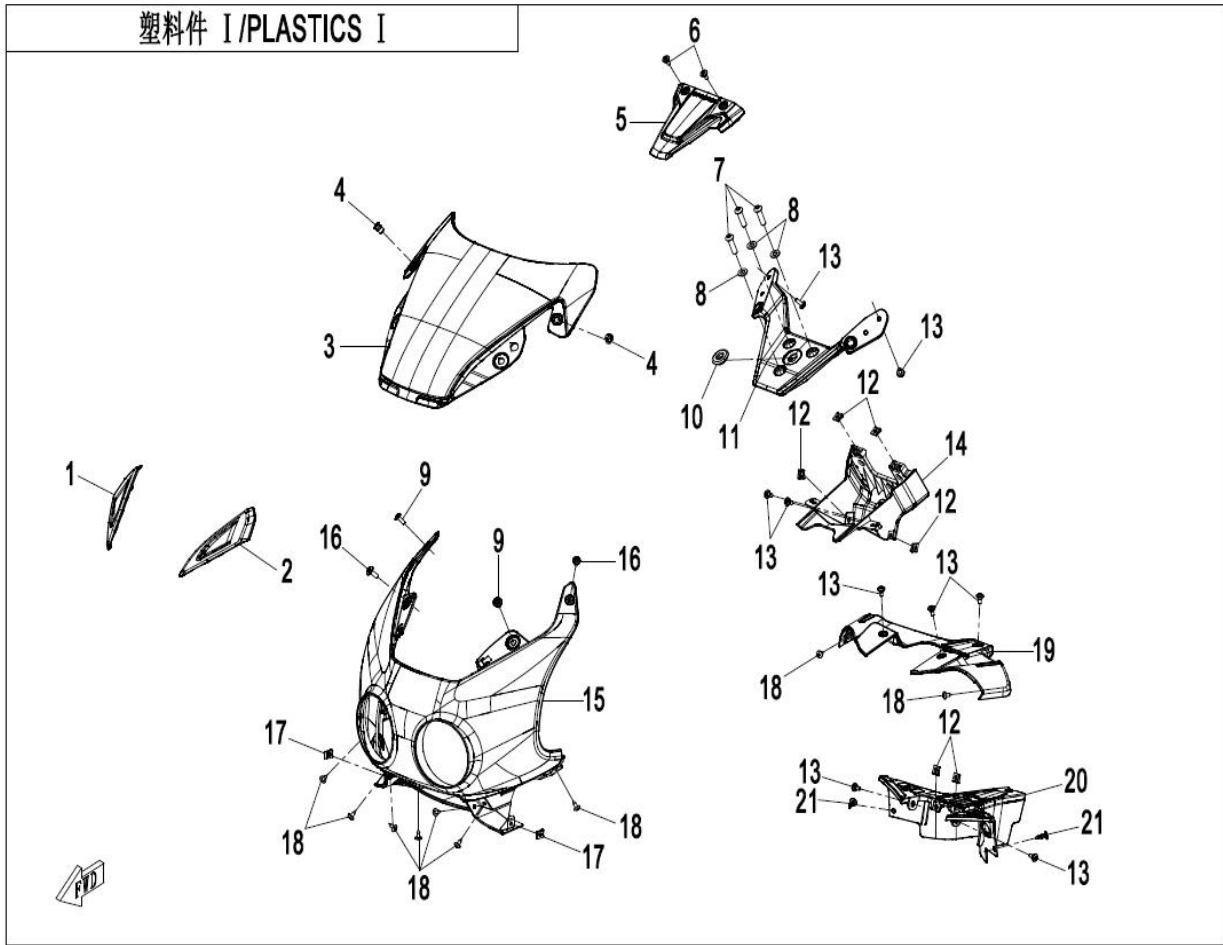
变档杆/GEARSHIFT LEVER



F03-3 GEARSHIFT LEVER

Item No.	Parts Number	Parts Name(EN)	Qty	Specification
01	30006-060022870	BOLT	1	GB/T5789_M6×22_8.8
02	6ARV-142000-1000	SHIFT LEVER CONNECTING ASSY	1	
03	6AQV-155500-1501-10	QUICK-SHIFT SENSOR	1	
04	30121-080025160	SCREW	1	M8x25
05	6ARV-149000-1000	QUICK-SHIFT ASSY	1	

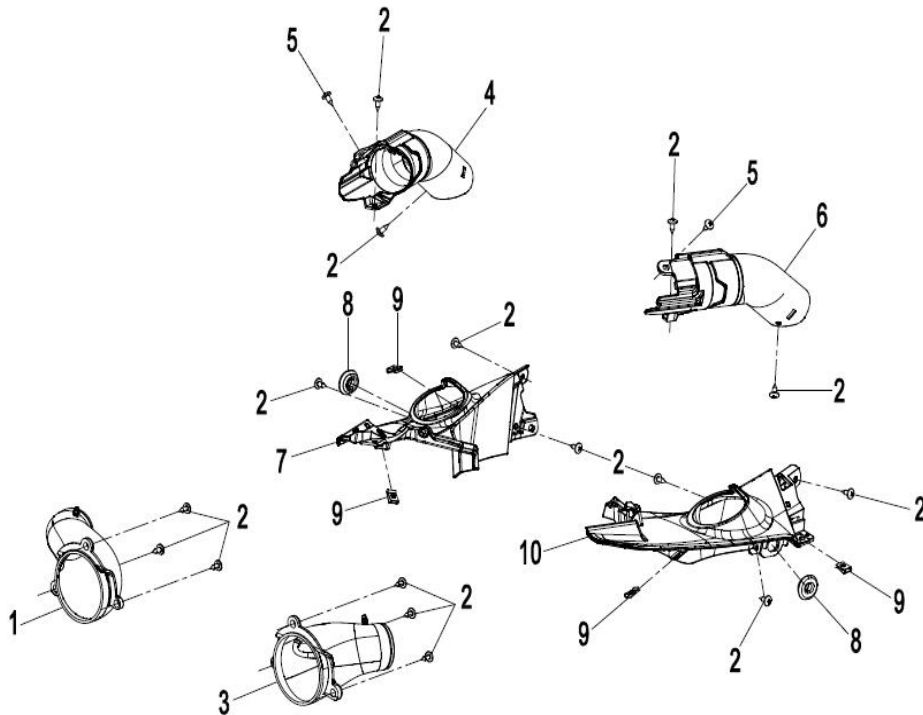
塑料件 I / PLASTICS I



F04-1 PLASTICS 1

Item No.	Parts Number	Parts Name(EN)	Qty	Specification
01	6ARV-040104-1001	RH HEADLIGHT PANEL DECO COVER	1	
02	6ARV-040103-1001	LH HEADLIGHT PANEL DECO COVER	1	
03	6ARV-040101-1001	WINDSHIELD	1	
04	6ARV-046001-1000	NUT	2	
05	6ARV-040301-1000	DASHBOARD GUARD	1	
06	6WVV-046502-5000	STEPPED SCREW M5	2	
07	30121-080020870	SCREW	3	M8x20@BLACK ZINC-PLATED
08	30306-080112	WASHER	3	φ8
09	6WVV-047101-5000	M5x14 INNER HEX SCREW	2	M5x14
10	6FIV-040401-7100	RUBBER HEAD	1	
11	6ARV-040307-1001	REAR VIEW MIRROR BRACKET	1	
12	6KM#-040081-8000-M1	NUT CLIP M5	6	
13	6AQV-043003-6000	STEP SCREW	9	
14	6ARV-040306-1000	DASHBOARD SUPPORT FRAME	1	
15	6ARV-040102-1001-0BM00	HEADLIGHT PANEL	1	NEBULA BLACK
15	6ARV-040102-1001-0EN00	HEADLIGHT PANEL	1	ZEPHYR BLUE
16	6WVV-046802-5000	INNER HEX SCREW M6x16	2	
17	8080-000002	CLIP NUT ST4.8	2	ST4.8
18	30110-481130070	SCREW	9	
19	6ARV-040305-1000	DASHBOARD UPPER COVER PLATE	1	
20	6ARV-040302-1000	DASHBOARD	1	
21	8080-041130	EXPANSION RIVET ASSY	2	

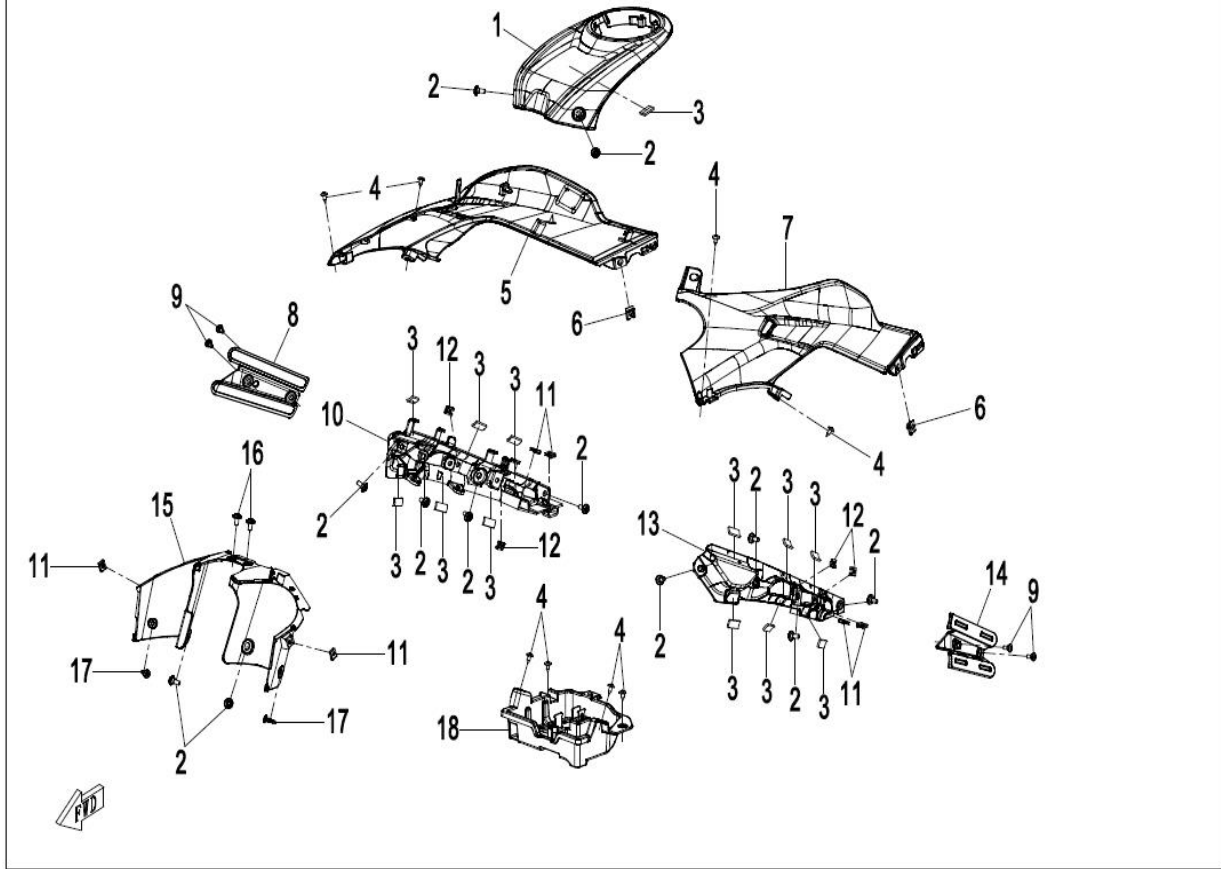
塑料件 II/PLASTICS II



F04-2 PLASTICS 2

Item No.	Parts Number	Parts Name(EN)	Qty	Specification
01	6ARV-040512-1000	RH RAM AIR INLET AUX PIPE FRONT PART	1	
02	30110-481130070	SCREW	16	
03	6ARV-040511-1000	LH RAM AIR INLET AUX PIPE FRONT PART	1	
04	6ARV-040514-1000	RH RAM INTAKE SUB-PIPE REAR PART	1	
05	30110-480160070	SELF-TAPPING SCREW	2	ST 4.8×16
06	6ARV-040513-1000	LH RAM INTAKE SUB-PIPE REAR PART	1	
07	6ARV-040309-1001	DASHBOARD HOUSING RH GUARD	1	
08	6FIV-040401-7100	RUBBER HEAD	2	
09	8080-000002	CLIP NUT ST4.8	4	ST4.8
10	6ARV-040308-1001	DASHBOARD LH GUARD	1	

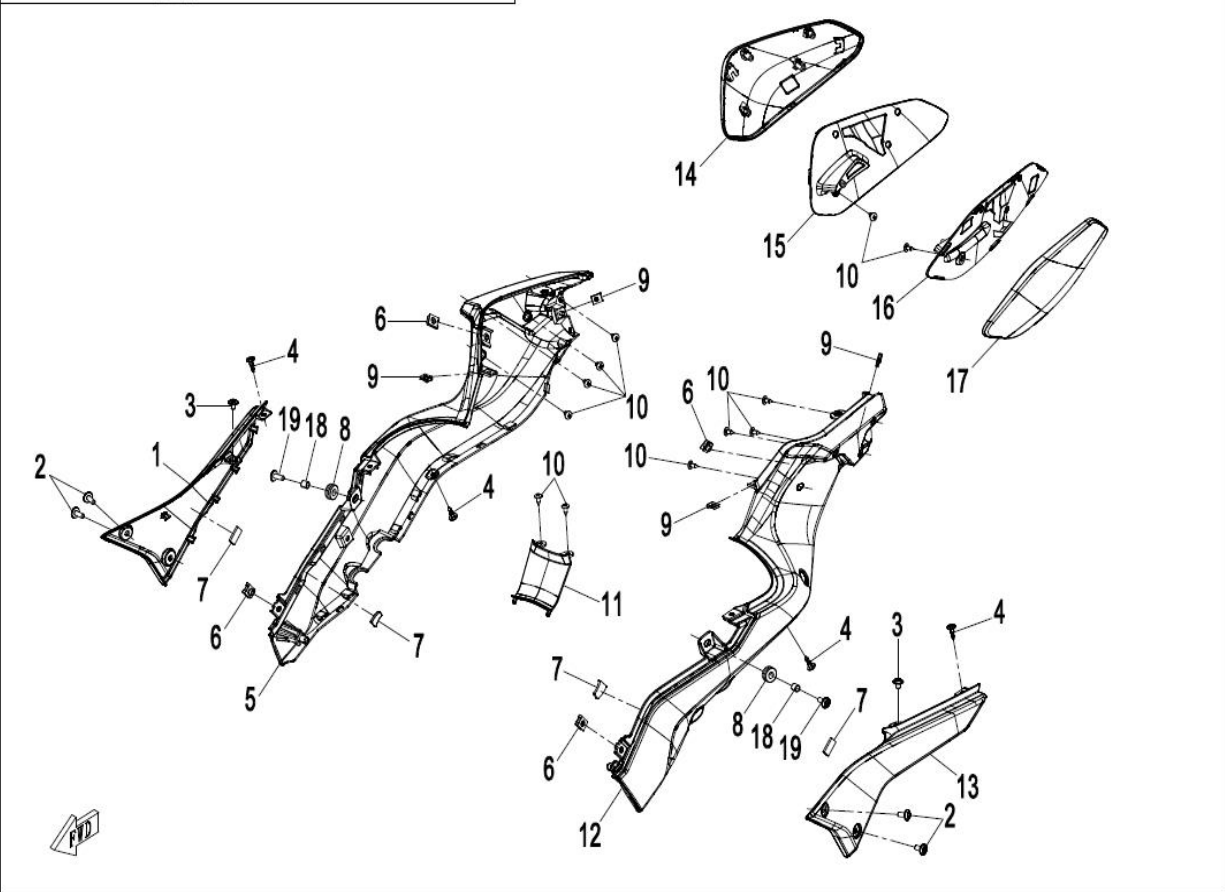
塑料件 III/PLASTICS III



F04-3 PLASTICS 3

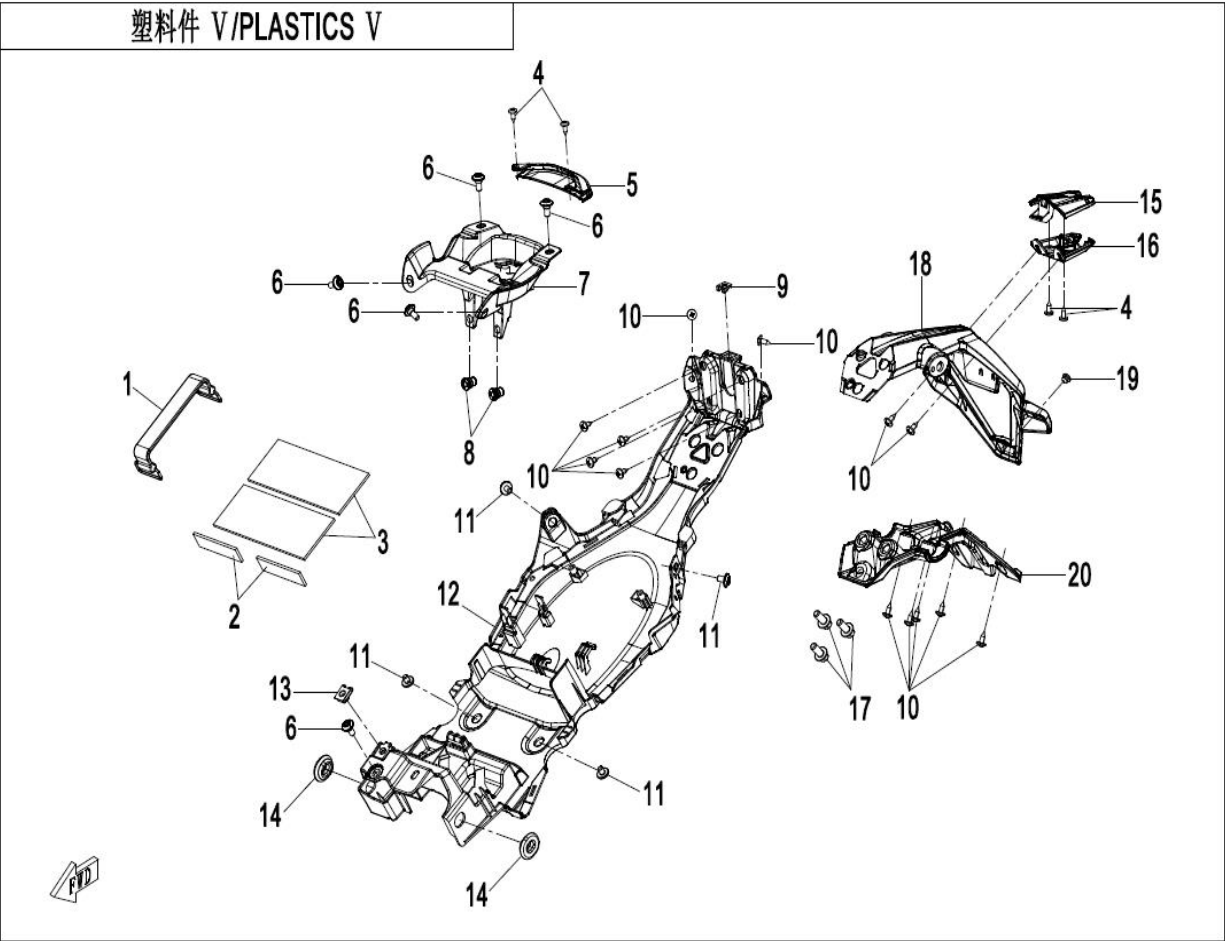
Item No.	Parts Number	Parts Name(EN)	Qty	Specification
01	6ARV-040403-1001	FUEL TANK UPPER GUARD	1	
02	6WVV-046602-5000	INNER HEX STEPPED SCREW M6x14	12	
03	6KM#-160420-8001	SPONGE MAT	13	
04	30110-481130070	SCREW	8	
05	6ARV-040402-1001	FUEL TANK RH GUARD	1	
06	8030-040800-00001	NUT CLIP M6	2	M6
07	6ARV-040401-1001	FUEL TANK LH GUARD	1	
08	6ARV-040602-1000	RH FRAME HEAT INSULATOR	1	
09	6AQV-043003-6000	STEP SCREW	4	
10	6ARV-040409-1000	RH FRAME CLAMP	1	
11	8080-000002	CLIP NUT ST4.8	6	ST4.8
12	6KM#-040081-8000-M1	NUT CLIP M5	4	
13	6ARV-040408-1000	LH FRAME CLAMP	1	
14	6ARV-040601-1000	LH FRAME HEAT INSULATOR	1	
15	6ARV-040303-1000	STEERING PANEL	1	
16	6WVV-046802-5000	INNER HEX SCREW M6x16	2	
17	8080-041130	EXPANSION RIVET ASSY	2	
18	6ARV-040404-1001	CANISTER SERVICE BOX	1	

塑料件 IV/PLASTICS IV



F04-4 PLASTICS 4

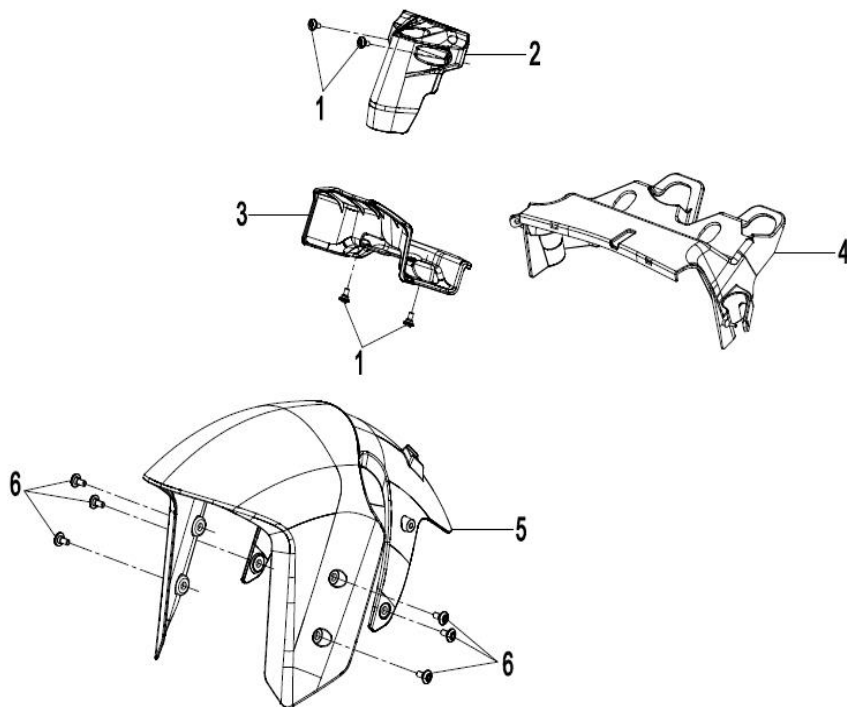
Item No.	Parts Number	Parts Name(EN)	Qty	Specification
01	6ARV-040604-1001-0VR00	RH DECO COVER	1	ELECTRO SILVER
02	6WWV-046802-5000	INNER HEX SCREW M6×16	4	
03	6100-120005	INNER HEX SCREW M6x8	2	M6x8
04	8080-041130	EXPANSION RIVET ASSY	4	
05	6ARV-040709-1001	SEAT LOWER RH PANEL	1	
06	8030-040800-00001	NUT CLIP M6	4	M6
07	6KM#-160420-8001	SPONGE MAT	4	
08	6090-040302	CUSHION SLEEVE	2	
09	8080-000002	CLIP NUT ST4.8	4	ST4.8
10	30110-481130070	SCREW	12	
11	6ARV-040710-1000	MIDDLE COVER PLATE	1	
12	6ARV-040708-1001	SEAT LOWER LH PANEL	1	
13	6ARV-040603-1001-0VR00	LH DECO COVER	1	ELECTRO SILVER
14	6ARV-040704-1000-0BU00	TAIL LIGHT RH GUARD	1	MIST SILVER BLACK
14	6ARV-040704-1000-0HC00	TAIL LIGHT RH GUARD	1	VELOCITY GREY
15	6ARV-040706-1000	RH NUMBER PLATE LINER	1	
16	6ARV-040705-1000	LH NUMBER PLATE LINER	1	
17	6ARV-040703-1000-0HC00	TAIL LIGHT LH GUARD	1	VELOCITY GREY
17	6ARV-040703-1000-0BU00	TAIL LIGHT LH GUARD	1	MIST SILVER BLACK
18	6090-040303	BUSHING	2	
19	6WWV-046902-5000	INNER HEX SCREW M6x20	2	



F04-5 PLASTICS 5

Item No.	Parts Number	Parts Name(EN)	Qty	Specification
01	6060-150700	TIE BAND, BATTERY	1	
02	4020-040202	SPONGE, FRONT VENTILATION PLATE	2	
03	9060-038128	HEAT INSULATOR SPONGE STRIP 2	2	
04	30110-420130070	SELF-TAPPING SCREW	4	ST4.2x13@BLACK ZINC-PLATED
05	6ARV-040712-1001	TAIL LIGHT UPPER COVER	1	
06	6WWV-046602-5000	INNER HEX STEPPED SCREW M6x14	5	
07	6ARV-040711-1000	PASSENGER SEAT LOWER ELECTRICAL BOX	1	
08	6ARV-046001-1000	NUT	2	
09	6KM#-040081-8000-M1	NUT CLIP M5	1	
10	30110-481130070	SCREW	13	
11	6100-120005	INNER HEX SCREW M6x8	4	M6x8
12	6ARV-040707-1000	FRAME BASE PLATE	1	
13	8030-040800-00001	NUT CLIP M6	1	M6
14	6FIV-040401-7100	RUBBER HEAD	2	
15	6ARV-040815-1000	LICENSE LIGHT UPPER GUARD	1	
16	6ARV-040816-1001	LICENSE LIGHT LOWER GUARD	1	
18	6ARV-040813-1000	REAR FENDER UPPER PART	1	
19	6AQV-043001-6000	RUBBER	1	
20	6ARV-040814-1000	REAR FENDER LOWER PART	1	
21	30023-080016810	BOLT	3	M8x16

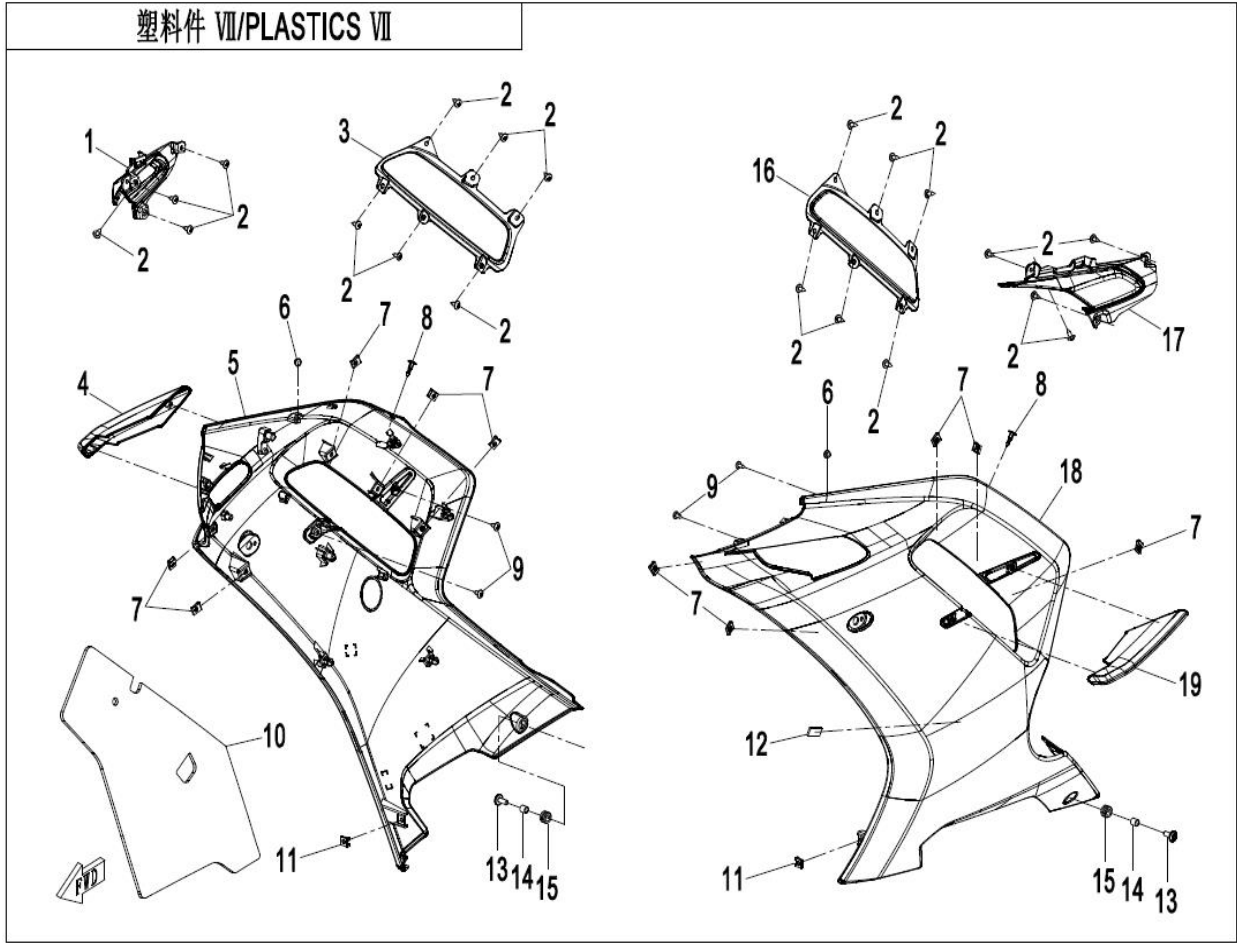
塑料件 VI/PLASTICS VI



F04-6 PLASTICS 6

Item No.	Parts Number	Parts Name(EN)	Qty	Specification
01	6WWV-046502-5000	STEPPED SCREW M5	4	
02	6ARV-046030-1000	POWER LOCK DECO GUARD	1	
03	6ARV-046031-1001	LOWER TRIPLE CLAMP FENDER	1	
04	6ARV-046032-1001	RADIATOR DEFLECTOR	1	
05	6ARV-040801-1001-0VE00	FRONT FENDER	1	NEBULA WHITE
05	6ARV-040801-1001-0BM00	FRONT FENDER	1	NEBULA BLACK
06	6WWV-046602-5000	INNER HEX STEPPED SCREW M6x14	6	

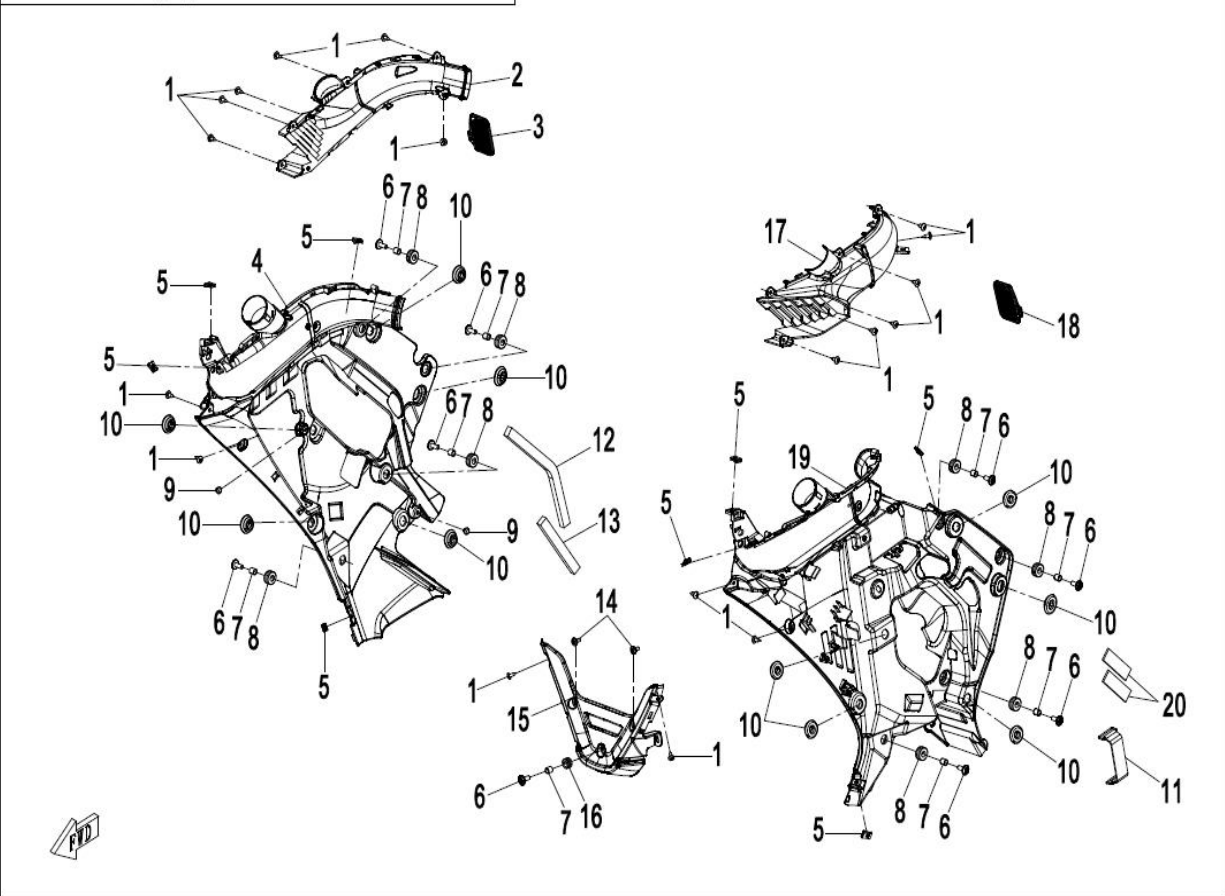
塑料件 VII/PLASTICS VII



F04-7 PLASTICS 7

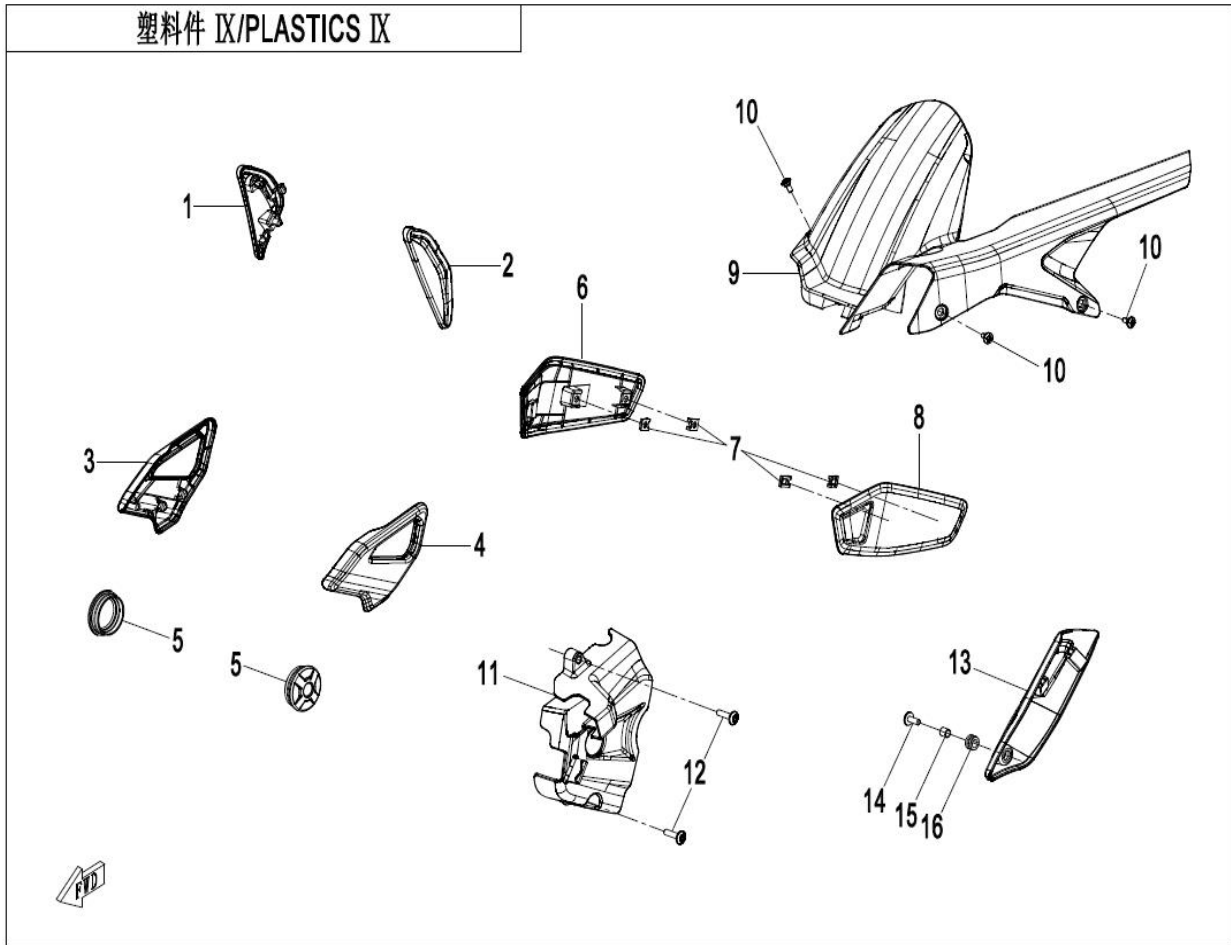
Item No.	Parts Number	Parts Name(EN)	Qty	Specification
01	6ARV-040506-1000	RH AIR INTAKE DECO COVER	1	
02	30110-481130070	SCREW	20	
03	6ARV-040510-1000	RADIATOR RH PANEL DECO NET	1	
04	6ARV-040508-1000-0BM00	RH WING	1	NEBULA BLACK
04	6ARV-040508-1000-0HC00	RH WING	1	VELOCITY GREY
05	6ARV-040502-1001-0D800	RADIATOR RH PANEL	1	NEBULA BLACK+NEBULA WHITE+VELOCITY GREY
05	6ARV-040502-1001-0D900	RADIATOR RH PANEL	1	ZEPHYR BLUE+NEBULA BLACK+MERCURY SILVER
06	6AQV-043001-6000	RUBBER	2	
07	8080-000002	CLIP NUT ST4.8	10	ST4.8
08	8080-041130	EXPANSION RIVET ASSY	2	
09	30110-420130070	SELF-TAPPING SCREW	4	ST4.2x13@BLACK ZINC-PLATED
10	6ARV-046036-1001	RADIATOR RH PANEL HEAT INSULATION FOAM	1	
11	6KM#-040081-8000-M1	NUT CLIP M5	2	
12	6KM#-160420-8001	SPONGE MAT	1	
13	6WWW-046902-5000	INNER HEX SCREW M6x20	2	
14	6090-040303	BUSHING	2	
15	6KM#-040302-8000	CUSHION SLEEVE	2	
16	6ARV-040509-1000	RADIATOR LH PANEL DECO NET	1	
17	6ARV-040505-1000	LH AIR INTAKE DECO COVER	1	
18	6ARV-040501-1001-0D800	RADIATOR LH PANEL	1	NEBULA BLACK+NEBULA WHITE+VELOCITY GREY
18	6ARV-040501-1001-0D900	RADIATOR LH PANEL	1	ZEPHYR BLUE+NEBULA BLACK+MERCURY SILVER
19	6ARV-040507-1000-0BM00	LH WING	1	NEBULA BLACK
19	6ARV-040507-1000-0HC00	LH WING	1	VELOCITY GREY

塑料件 VIII/PLASTICS VIII



F04-8 PLASTICS 8

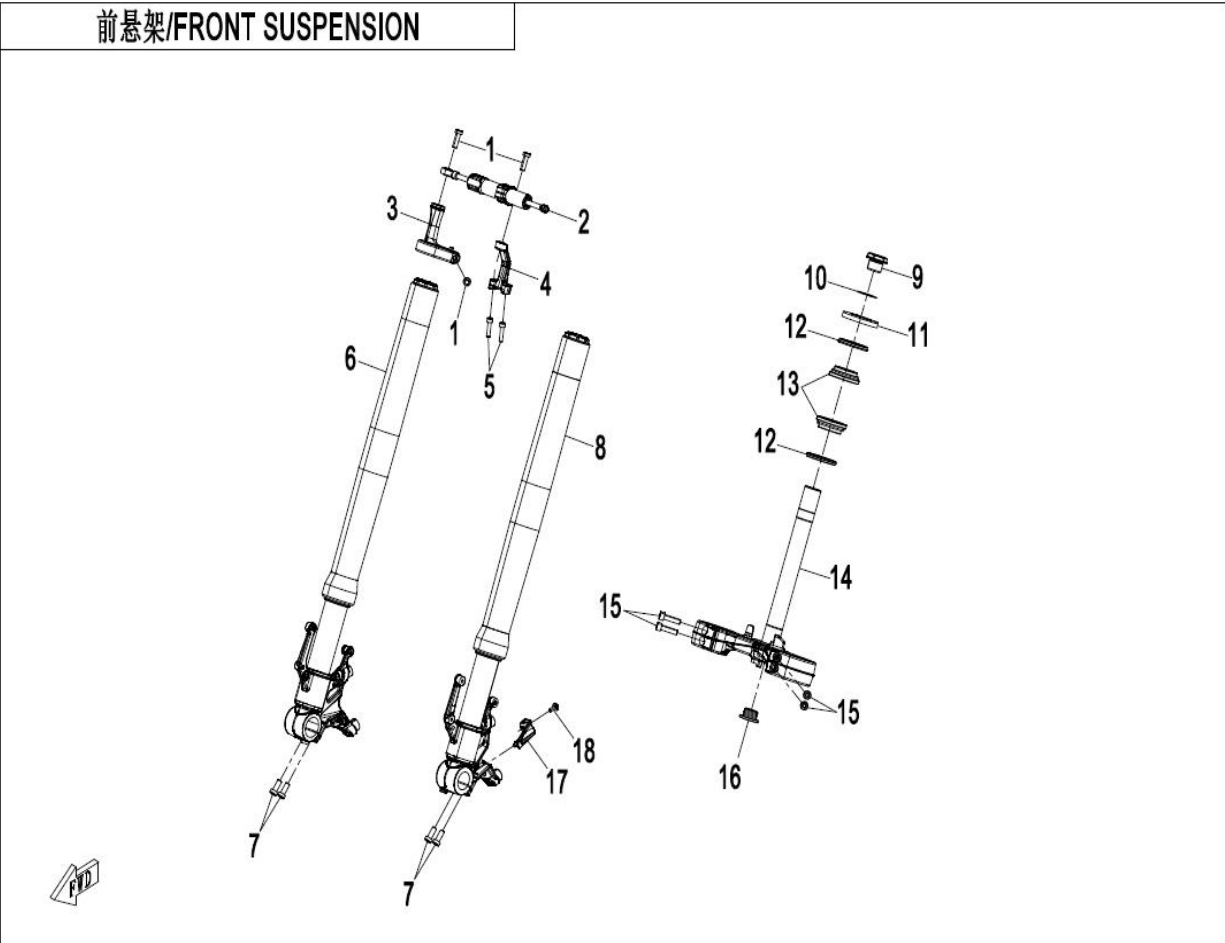
Item No.	Parts Number	Parts Name(EN)	Qty	Specification
01	30110-481130070	SCREW	18	
02	6ARV-040518-1001	RAM INTAKE MAIN PIPE RH HALF	1	
03	6ARV-040520-1000	RH RAM AIR INLET MAIN SCREEN	1	
04	6ARV-040504-1001	RH LINER	1	
05	8080-000002	CLIP NUT ST4.8	8	ST4.8
06	6WV-046902-5000	INNER HEX SCREW M6x20	9	
07	6090-040303	BUSHING	9	
08	6090-040302	CUSHION SLEEVE	8	
09	6AQV-043001-6000	RUBBER	2	
10	6FIV-040401-7100	RUBBER HEAD	10	
11	9RHV-150700-1000	TIE BAND, BATTERY	1	
12	6ARV-046034-1000	V-SHAPED FOAM INSULATION COTTON	1	
13	6ARV-046035-1000	FOAM INSULATION COTTON	1	
14	6AQV-043003-6000	STEP SCREW	2	
15	6ARV-040901-1000	ENGINE FRONT GUARD	1	
16	6KM#-040302-8000	CUSHION SLEEVE	1	
17	6ARV-040517-1001	RAM INTAKE MAIN PIPE LH HALF	1	
18	6ARV-040519-1000	LH RAM AIR INLET MAIN SCREEN	1	
19	6ARV-040503-1001	LH LINER	1	
20	4020-040202	SPONGE, FRONT VENTILATION PLATE	2	



F04-9 PLASTICS 9

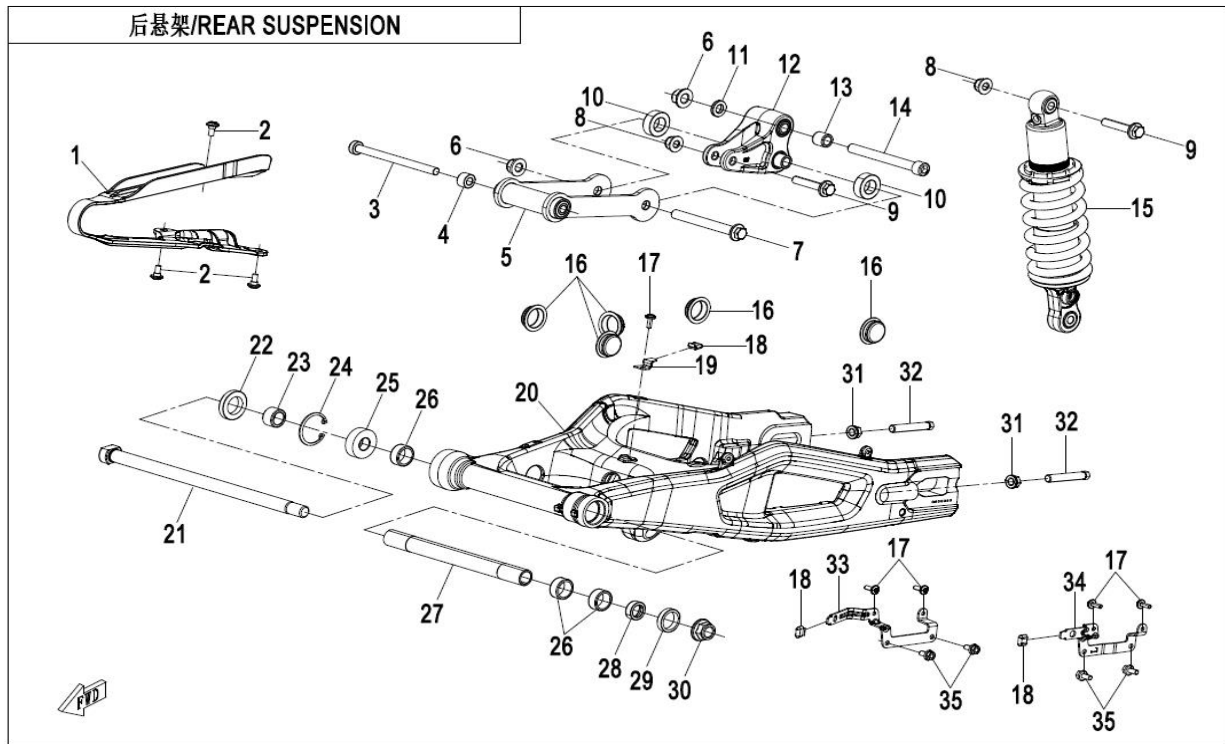
Item No.	Parts Number	Parts Name(EN)	Qty	Specification
01	6ARV-040606-1000	EH BENCHMARK DECO COVER	1	
02	6ARV-040605-1000	LH BENCHMARK DECO COVER	1	
03	6ARV-046021-1000	RH FOOTREST PANEL	1	
04	6ARV-046020-1000	LH FOOTREST PANEL	1	
05	6ARV-040607-1000	BENCHMARK SEAT COVER	2	
06	6ARV-040812-1000	REAR FORK RH GUARD	1	
07	6KM#-040081-8000-M1	NUT CLIP M5	4	
08	6ARV-040811-1000	REAR FORK LH GUARD	1	
09	6ARV-040810-1000	REAR FORK PANEL	1	
10	6WWWV-046502-5000	STEPPED SCREW M5	3	
11	6ARV-000102-1001	SMALL SPROCKET GUARD	1	
12	6WWWV-047002-5000	INNER HEX SCREW M6x25	2	
13	6ARV-040905-1000-0D500	MUFFLER GUARD	1	SAPPHIRE BLACK
14	6WWWV-046802-5000	INNER HEX SCREW M6x16	1	
15	6090-040303	BUSHING	1	
16	6KM#-040302-8000	CUSHION SLEEVE	1	

前悬架/FRONT SUSPENSION



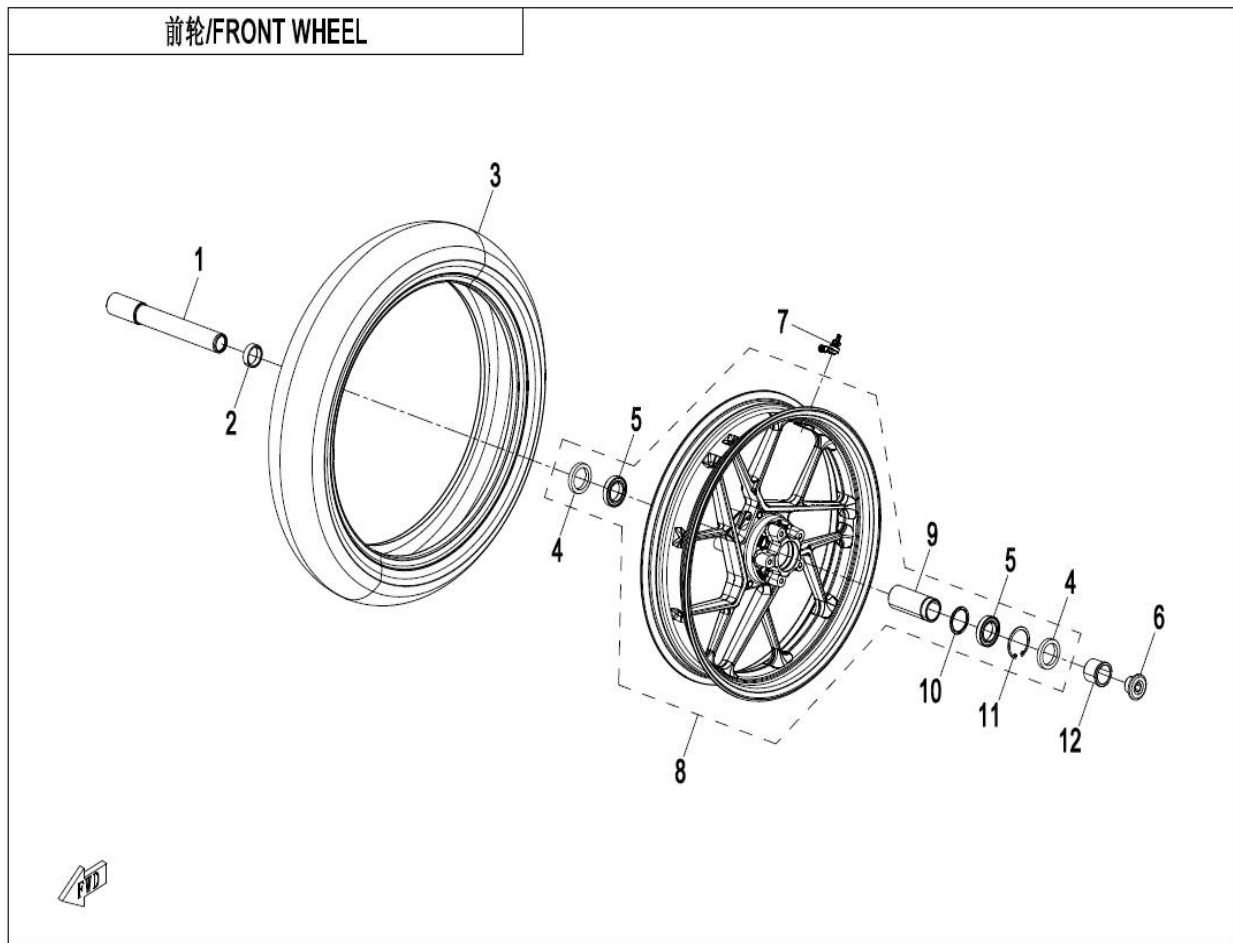
F05 FRONT SUSPENSION

Item No.	Parts Number	Parts Name(EN)	Qty	Specification
01	6WWV-050009-5000	SCREW M8x25	3	
02	6ARV-050100-1000-M1	STEERING DAMPER	1	
03	6ARV-050102-1000	STEERING DAMPER BRACKET 2	1	
04	6ARV-050101-1000	STEERING DAMPER BRACKET 1	1	
05	30102-060025810	SCREW	2	M6x25@COLOR ZINC-PLATED
06	6ARV-050600-1000-M1-0BP00	FRONT RH SHOCK ABSORBER	1	MAUD SPIRIT BLACK
07	30102-080020870	SCREW	4	
08	6ARV-050500-1000-M1-0BP00	FRONT LH SHOCK ABSORBER	1	MAUD SPIRIT BLACK
09	6L30-050002	LOCK SCREW, UPPER TRIPLE CLAMP	1	
10	6WWV-050005-5000	WASHER	1	
11	6L30-050003	ANTI-DUST CAP	1	
12	6AQV-050010-1000	ANTI-DUST RING ASSY	2	
13	6L30-050200	STEERING BEARING ASSY	2	
14	6ARV-050300-1000	LOWER TRIPLE CLAMP ASSY	1	
15	30102-080030810	SCREW	4	M8x30
16	6L30-050004	PLUG, FRONT FORK	1	
17	6KWV-050501-1000	DECO COVER	1	
18	6WWV-047102-5000	INNER HEX SCREW M5x14	1	



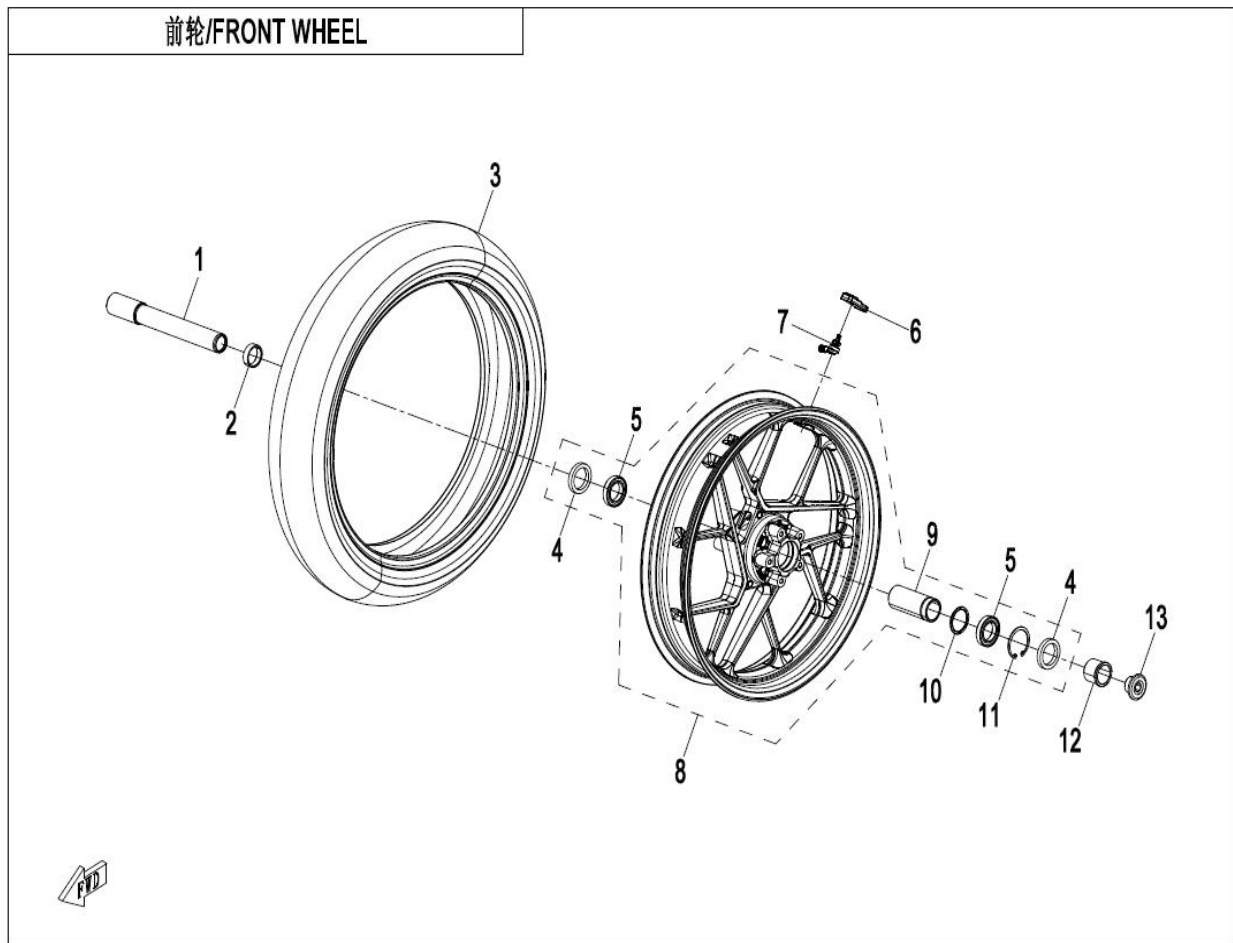
F06 REAR SUSPENSION

Item No.	Parts Number	Parts Name(EN)	Qty	Specification
01	6ARV-060303-1000	CHAIN GUARD	1	
02	6WWV-046602-5000	INNER HEX STEPPED SCREW M6x14	3	
03	6AQV-060009-1002	TIE ROD BOLT	1	M10x130
04	6AQV-060005-1000	SPACER, TIE ROD	1	
05	6ARV-060600-1000	LEVER ASSY	1	
06	30204-122810	NUT	2	M12x1.25
07	6AQV-060307-3000	A-SHAPE SWING ARM BOLT	1	M12x103
08	30204-102110	NUT	2	M10x1.25
09	6AQV-060004-1002	REAR SHOCK ABSORBER BOLT	2	M10x50
10	6AQV-060504-1000	RETAINER	2	
11	6AQV-060304-3000	WASHER	1	
12	6ARV-060500-1000	A-SHAPE SWING ARM ASSY	1	
13	6AQV-060302-3000	BUSHING	1	
14	6AQV-060303-3000	A-SHAPE SWING ARM BOLT	1	M12x110
15	6ARV-060100-1000-M1	REAR SHOCK ABSORBER	1	
16	6NT1-060003	DUST CAP, SMALL	5	
17	6WWV-047102-5000	INNER HEX SCREW M5x14	5	
18	6GU#-021005-6000	GUARD RUBBER SLEEVE	3	
19	6ARV-060302-1000	FRONT BRACKET	1	
20	6ARV-060301-1000-0BP00	REAR FORK	1	
21	6ARV-060007-1000	REAR FORK SHAFT	1	
22	30500-025802N	OIL SEAL	1	FB25x40x7
23	6GUV-060017-5600	REAR FORK RH BUSHING	1	
24	30800-04005	CIRCLIP FOR HOLE	1	
25	30400-01704	BEARING	1	17
26	30403-02200	BEARING	3	22x28x12
27	6GUV-060015-5600	REAR FORK LINER	1	
28	6WWV-060002-5000	REAR SWING ARM BUSHING	1	
29	6WWV-060030-5000-10	OIL SEAL	1	
30	6AQV-060006-1000-M1	NUT	1	M16x1.5
31	6L30-060013	CHAIN ADJUSTER LOCK NUT	2	
32	6L30-060002	CHAIN ADJUSTING BOLT	2	
33	6ARV-060305-1000	RH BRACKET	1	
34	6ARV-060304-1000	LH BRACKET	1	
35	6WWV-046702-5000	INNER HEX SCREW M6x12	4	



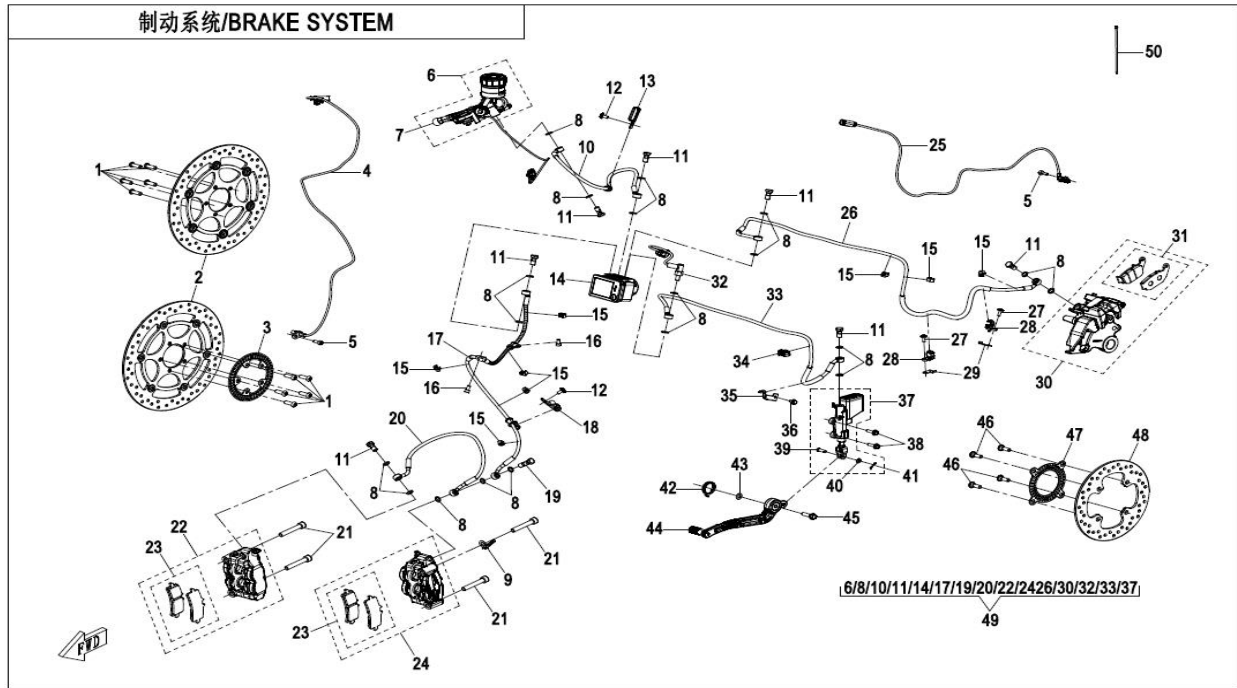
F07-A FRONT WHEEL(WITHOUT TPMS)

Item No.	Parts Number	Parts Name(EN)	Qty	Specification
01	6L30-070001	FRONT WHEEL SHAFT	1	
02	6WWV-070002-5000	RH BUSHING, FRONT WHEEL	1	
03	30705-1793	FRONT TIRE	1	
04	6WWV-070100-5000-21	OIL SEAL	2	
05	30400-03082	BEARING	2	
06	6L30-070004	LOCK SCREW, FRONT AXLE	1	
07	FA7V-070300-1000	INFLATION VALVE	1	
08	6ARV-070100-1000-0YH00	FRONT RIM ASSY	1	
08	6ARV-070100-1000-0DH00	FRONT RIM ASSY	1	HIGH BRIGHT BLACK
09	6ARV-070102-1000	CORE SHAFT	1	
10	6WWV-070105-5000	WASHER	1	
11	30800-04705	CIRCLIP FOR HOLE 47	1	
12	6WWV-070003-5000	LH BUSHING, FRONT WHEEL	1	



F07-B FRONT WHEEL(TPMS)

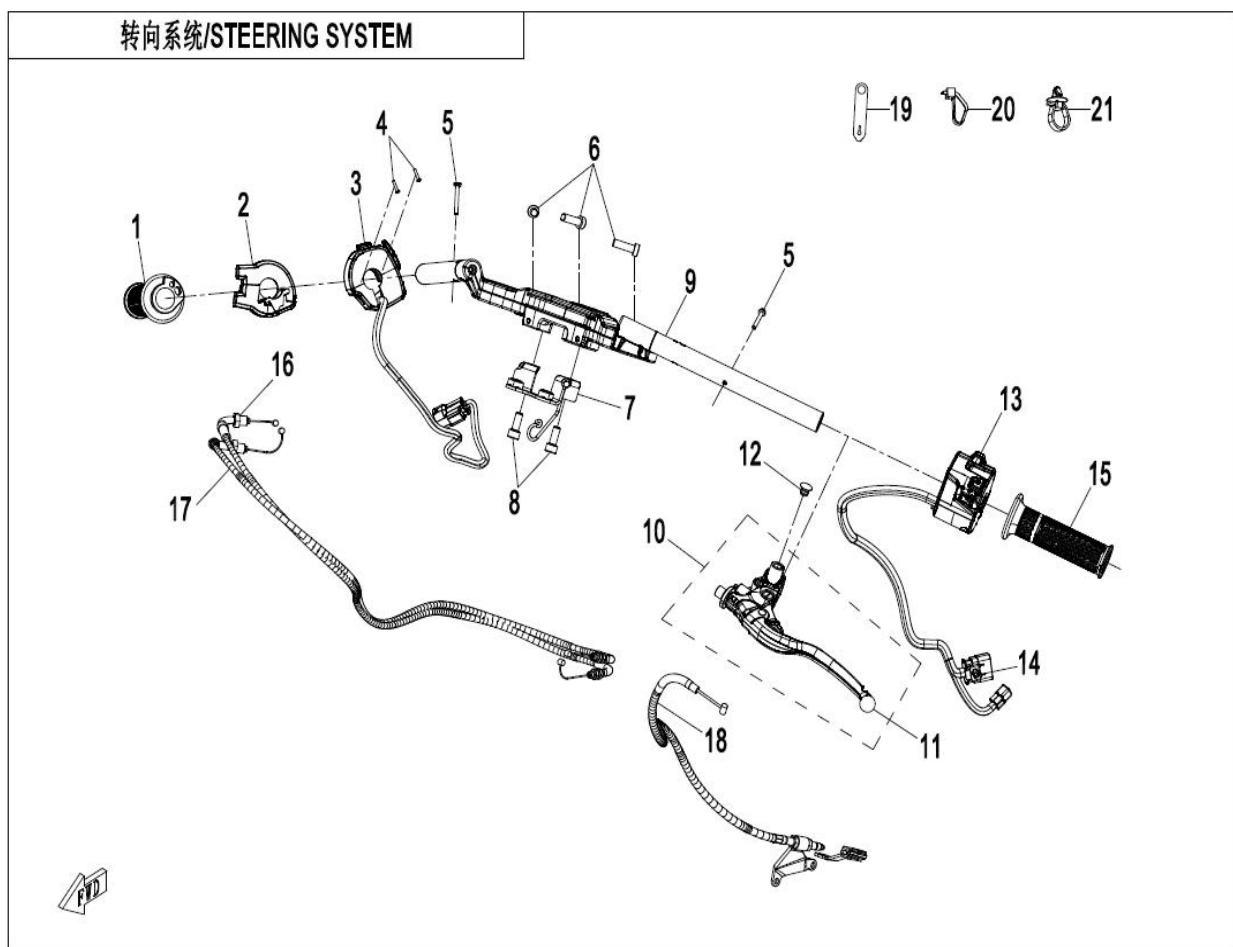
Item No.	Parts Number	Parts Name(EN)	Qty	Specification
01	6L30-070001	FRONT WHEEL SHAFT	1	
02	6WWW-070002-5000	RH BUSHING, FRONT WHEEL	1	
03	30705-1793	FRONT TIRE	1	
04	6WWW-070100-5000-21	OIL SEAL	2	
05	30400-03082	BEARING	2	
06	6WWW-150850-5A01	TIRE PRESSURE SENSOR	1	BLUETOOTH
07	6ARV-070030-1000-M1	VALVE	1	
08	6ARV-070100-1000-0YH00	FRONT RIM ASSY	1	
08	6ARV-070100-1000-0DH00	FRONT RIM ASSY	1	HIGH BRIGHT BLACK
09	6ARV-070102-1000	CORE SHAFT	1	
10	6WWW-070105-5000	WASHER	1	
11	30800-04705	CIRCLIP FOR HOLE 47	1	
12	6WWW-070003-5000	LH BUSHING, FRONT WHEEL	1	
13	6L30-070004	LOCK SCREW, FRONT AXLE	1	



F08 BRAKE SYSTEM

Item No.	Parts Number	Parts Name(EN)	Qty	Specification
01	6GUV-080001-7000	SCREW	10	
02	6GUV-080010-5600	FRONT BRAKE DISC ASSY	2	
03	6L30-080003	GEAR RING, FRONT WHEEL	1	
04	FA8V-080004-1500-M1	SPEED SENSOR	1	
05	30102-060016810	SCREW	2	M6×16
06	6ARV-081100-1000-M1	HAND BRAKE MASTER CYLINDER	1	
07	6ARV-081100-1000-20	HANDLE	1	
08	6KM#-081000-8100-20	WASHER	19	
09	6AQV-081002-1000	WIRE CLIP, FRONT SPEED SENSOR	1	
10	6ARV-081500-1000	FRONT BRAKE FLUID OUTLET HOSE	1	
11	6KM#-080103-8101	PIPE BOLT	7	
12	6WVV-046702-5000	INNER HEX SCREW M6x12	2	
13	6ARV-081501-1000	FRONT BRAKE FLUID OUTLET HOSE CLIP	1	
14	6ARV-081001-1000-M1	ABS CONTROLLER	1	
15	6KJ0-080003-00001	BRAKE HOSE CLIP	8	
16	30102-060012810	SCREW	2	M6×12
17	6ARV-081600-1000	FRONT BRAKE FLUID INLET HOSE	1	
18	6ARV-081602-1000	FRONT BRAKE FLUID INLET HOSE CLIP 2	1	
19	7020-081005	LONG BANJO BOLT	1	
20	6ARV-081610-1000	FRONT BRAKE LOWER FLUID HOSE	1	
21	30102-102060810	SCREW	4	M10x1.25x60@TRIVALENT CHROMIUM
22	6ARV-081300-1000-M1	FRONT RH BRAKE CALIPER ASSY	1	
23	6ARV-0812A0	BRAKE PAD ASSY	2	
24	6ARV-081200-1000-M1	FRONT LH BRAKE CALIPER ASSY	1	
25	6AQV-080004-1000-M2	FRONT SPEED SENSOR	1	
26	6ARV-081900-1000	REAR BRAKE FLUID INLET HOSE	1	
27	6WVV-047102-5000	INNER HEX SCREW M5x14	2	
28	6L30-080005	WIRE CLIP 1, BRAKE FLUID HOSE	2	
29	6GUV-080007-5600	SPEED SENSOR CABLE CLIP	2	
30	6ARV-081400-1000-M1	REAR BRAKE CALIPER ASSY	1	
31	6KM0-0911B0	REAR BRAKE PAD ASSY	1	
32	6GUV-081070-5000-M1	REAR BRAKE LIGHT SWITCH	1	
33	6ARV-081800-1000	REAR BRAKE FLUID OUTLET HOSE	1	
34	6L30-080006	WIRE CLIP 2, BRAKE FLUID HOSE	1	
35	6ARV-081802-1000	REAR BRAKE FLUID OUTLET HOSE CLIP	1	
36	30006-060010810	BOLT	1	M6×10
37	6ARV-081700-1000-M1	REAR BRAKE MASTER CYLINDER ASSY	1	
38	30006-060022810	BOLT	2	M6×22
39	6ARV-081700-1000-38	PIN SHAFT	1	
40	6ARV-081700-1000-39	PLAIN WASHER	1	
41	6ARV-081700-1000-37	COTTER PIN	1	
42	6AQV-080400-1000	SPRING	1	
43	30306-080112	WASHER	1	φ8
44	6ARV-080300-1000	REAR BRAKE FOOT PEDAL ASSY	1	
45	0JYA-062104	BOLT M8x28	1	M8x28
46	A000-080001	SCREW	4	
47	6NTG-080009	REAR GEAR RING	1	
48	6AQV-080006-1000	REAR BRAKE DISC	1	
49	6ARV-081000-1000	ABS HYDRAULIC BRAKE ASSY	1	
50	8010-150003	TIE BAND	2	5x250

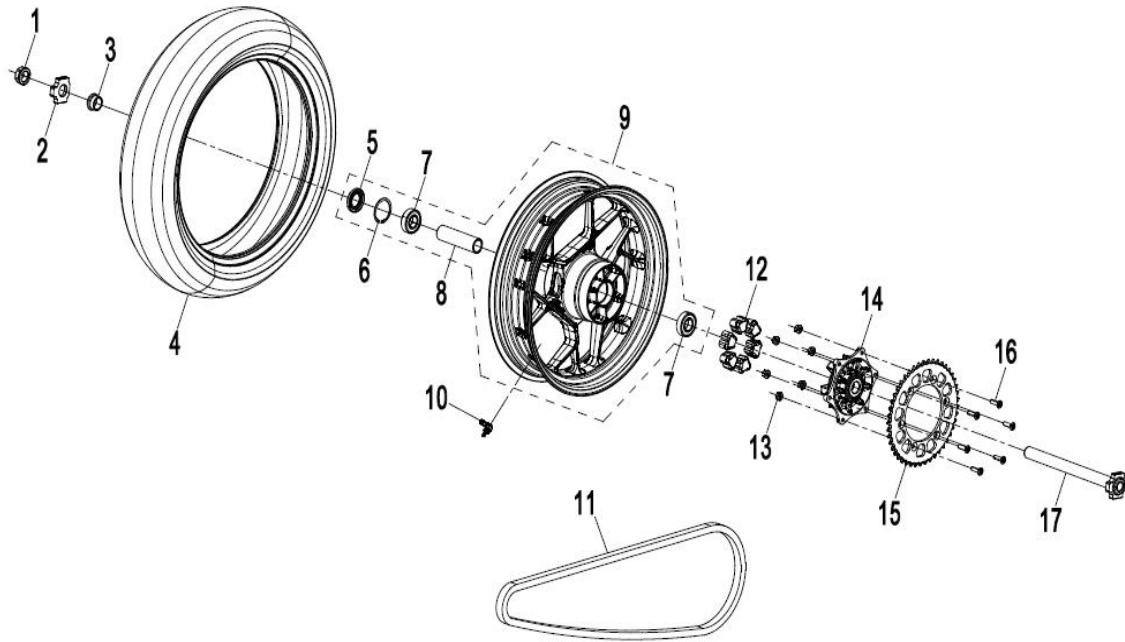
转向系统/STEERING SYSTEM



F10 STEERING SYSTEM

Item No.	Parts Number	Parts Name(EN)	Qty	Specification
01	6AQV-100010-6000	RH GRIP	1	
02	6AQV-100700-6000	THROTTLE LEVER ASSY	1	
03	6ARV-167000-1000	RH HANDLEBAR SWITCH ASSY	1	
04	30137-250120010	SCREW	2	ST2.5×12
05	30105-040030410	SCREW	2	M4×30
06	6WWV-050009-5000	SCREW M8×25	3	
07	6ARV-100008-1000	STEM LOCK BRACKET	1	
08	30102-080020810	SCREW	2	M8×20@TRIVALENT CHROMIUM
09	6ARV-100100-1000-0BP00	UPPER TRIPLE CLAMP HANDLEBAR ASSY	1	MAUD SPIRIT BLACK
10	6WWV-100200-5003	CLUTCH LEVER ASSY	1	
11	6WWV-100201-5000	CLUTCH LEVER	1	
12	6KM#-100002-8000	CLUCH LEVER PLUG	1	
13	6ARV-166000-1000	LH HANDLEBAR SWITCH ASSY	1	
14	6GU#-150001-6000-M1	CLASP	1	
15	6AQV-100001-6000	LH GRIP	1	
16	6ARV-100400-1001	THROTTLE CABLE	1	
17	6ARV-100500-1001	ADJUSTABLE THROTTLE CABLE	1	
18	6ARV-100600-1001	CLUTCH CABLE	1	
19	6KJ0-100002	CLUTCH PULL BINDING	2	
20	0000-000014	TIE BAND	1	BLACK
21	801F-100101	TIE BAND	3	

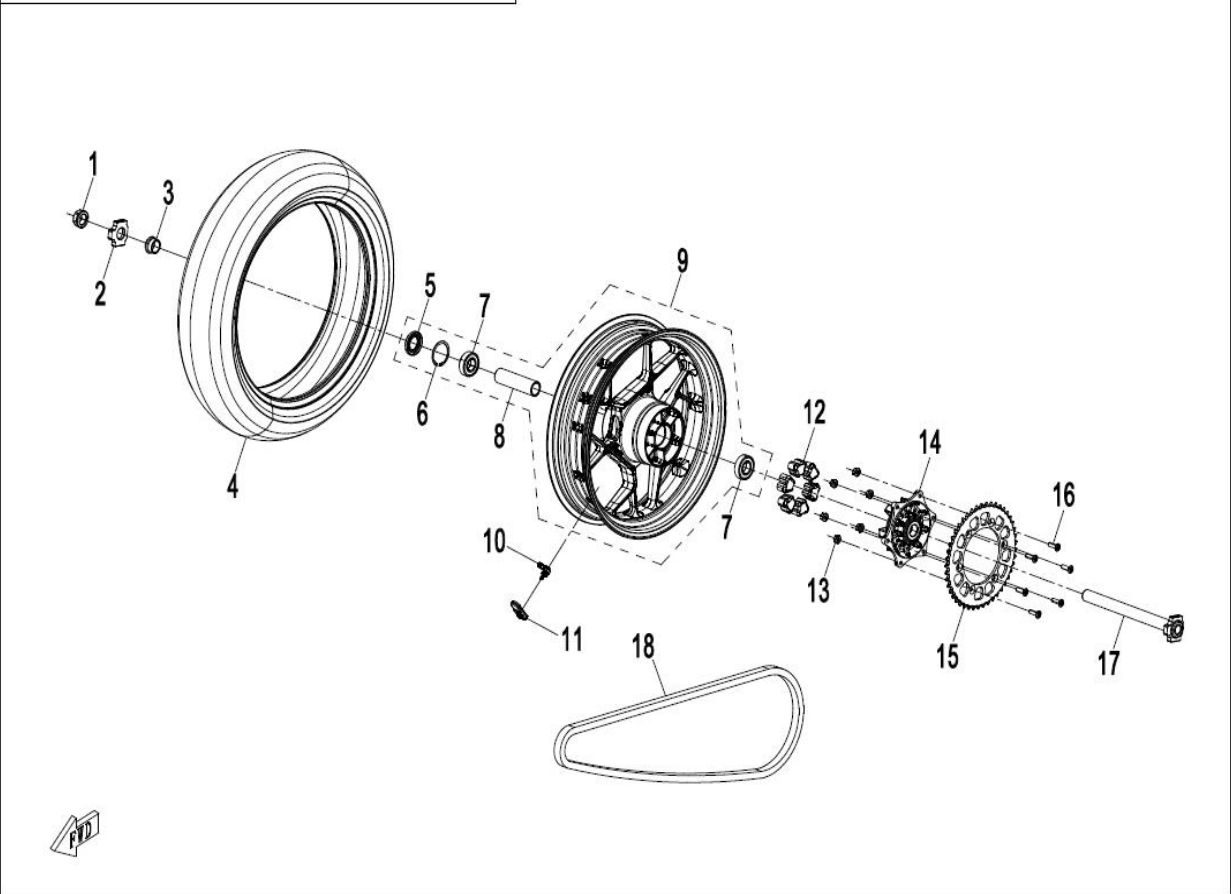
后轮/REAR WHEEL



F11-A REAR WHEEL(WITHOUT TPMS)

Item No.	Parts Number	Parts Name(EN)	Qty	Specification
01	6WWV-110001-5000	NUT, REAR WHEEL SHAFT	1	
02	6WWV-110002-5001	RH CHAIN ADJUSTING BLOCK	1	
03	6ARV-110006-1000	REAR WHEEL RH BUSHING	1	
04	30705-1797	REAR TIRE	1	
05	6WWV-110100-5000-21	OIL SEAL	1	
06	30800-05205	CIRCLIP FOR HOLE	1	52
07	30400-02503	BEARING	2	6205-2RS
08	6ARV-110102-1000	CORE SHAFT	1	
09	6ARV-110100-1000-M1-0DH00	REAR RIM ASSY	1	HIGH BRIGHT BLACK
09	6ARV-110100-1000-M1-0YH00	REAR RIM ASSY	1	
10	FA7V-070300-1000	INFLATION VALVE	1	
11	3120953	CHAIN	1	
12	6L30-110003	SPROCKET DAMPER	6	
13	30204-080810	LOCK NUT	6	M8
14	6WWV-110300-5000	SPROCKET ASSY	1	
15	6WWV-110005-5000	REAR SPROCKET	1	
16	6WWV-110004-5001	SUNK_SCREW_M8x28	6	M8x28
17	6WWV-110400-5000-10	REAR WHEEL SHAFT ASSY	1	

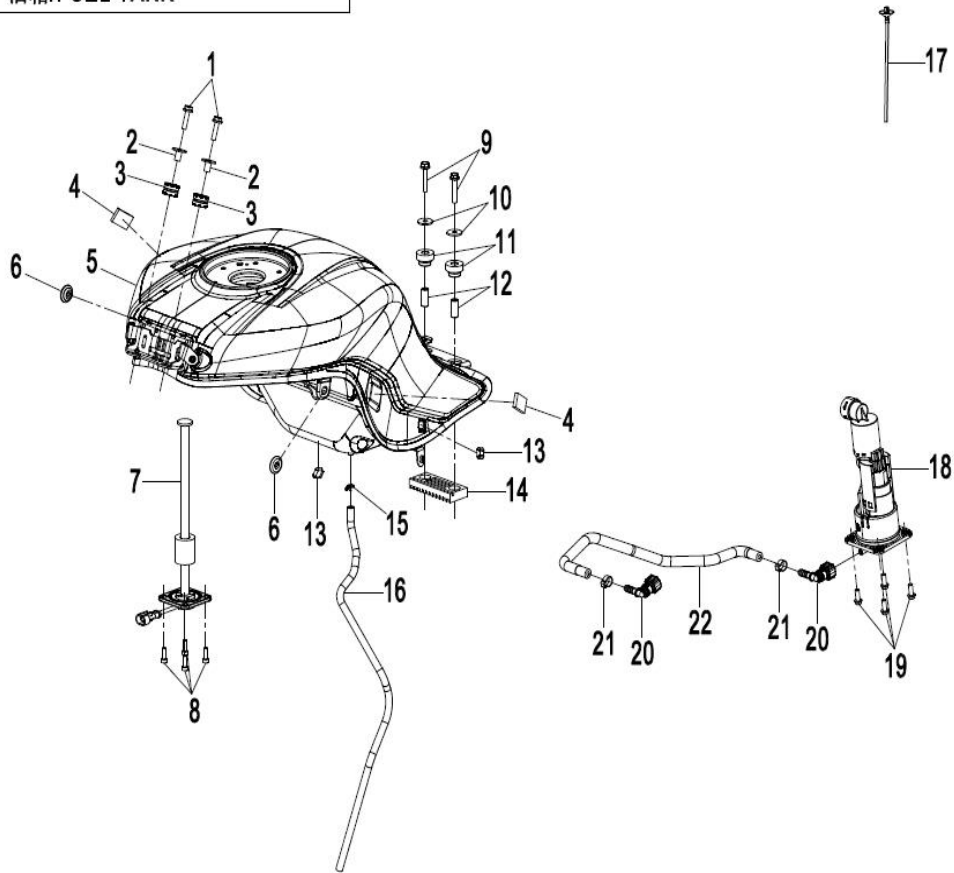
后轮/REAR WHEEL



F11-B REAR WHEEL(TPMS)

Item No.	Parts Number	Parts Name(EN)	Qty	Specification
01	6WWV-110001-5000	NUT, REAR WHEEL SHAFT	1	
02	6WWV-110002-5001	RH CHAIN ADJUSTING BLOCK	1	
03	6ARV-110006-1000	REAR WHEEL RH BUSHING	1	
04	30705-1797	REAR TIRE	1	
05	6WWV-110100-5000-21	OIL SEAL	1	
06	30800-05205	CIRCLIP FOR HOLE	1	52
07	30400-02503	BEARING	2	6205-2RS
08	6ARV-110102-1000	CORE SHAFT	1	
09	6ARV-110100-1000-M1-0DH00	REAR RIM ASSY	1	HIGH BRIGHT BLACK
09	6ARV-110100-1000-M1-0YH00	REAR RIM ASSY	1	
10	6ARV-070030-1000-M1	VALVE	1	
11	6WWV-150850-5A01	TIRE PRESSURE SENSOR	1	BLUETOOTH
12	6L30-110003	SPROCKET DAMPER	6	
13	30204-080810	LOCK NUT	6	M8
14	6WWV-110300-5000	SPROCKET ASSY	1	
15	6WWV-110005-5000	REAR SPROCKET	1	
16	6WWV-110004-5001	SUNK_SCREW_M8x28	6	M8x28
17	6WWV-110400-5000-10	REAR WHEEL SHAFT ASSY	1	
18	3120953	CHAIN	1	

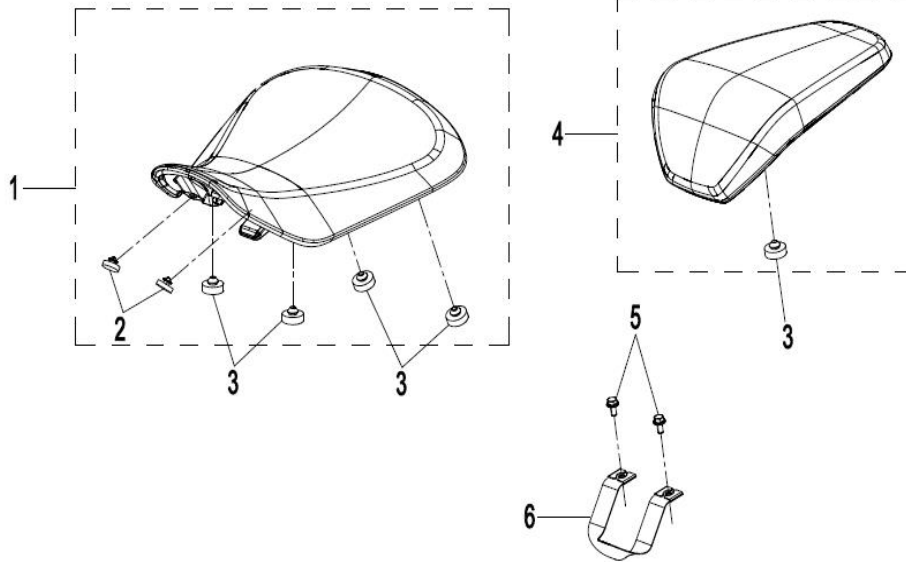
油箱/FUEL TANK



F12 FUEL TANK

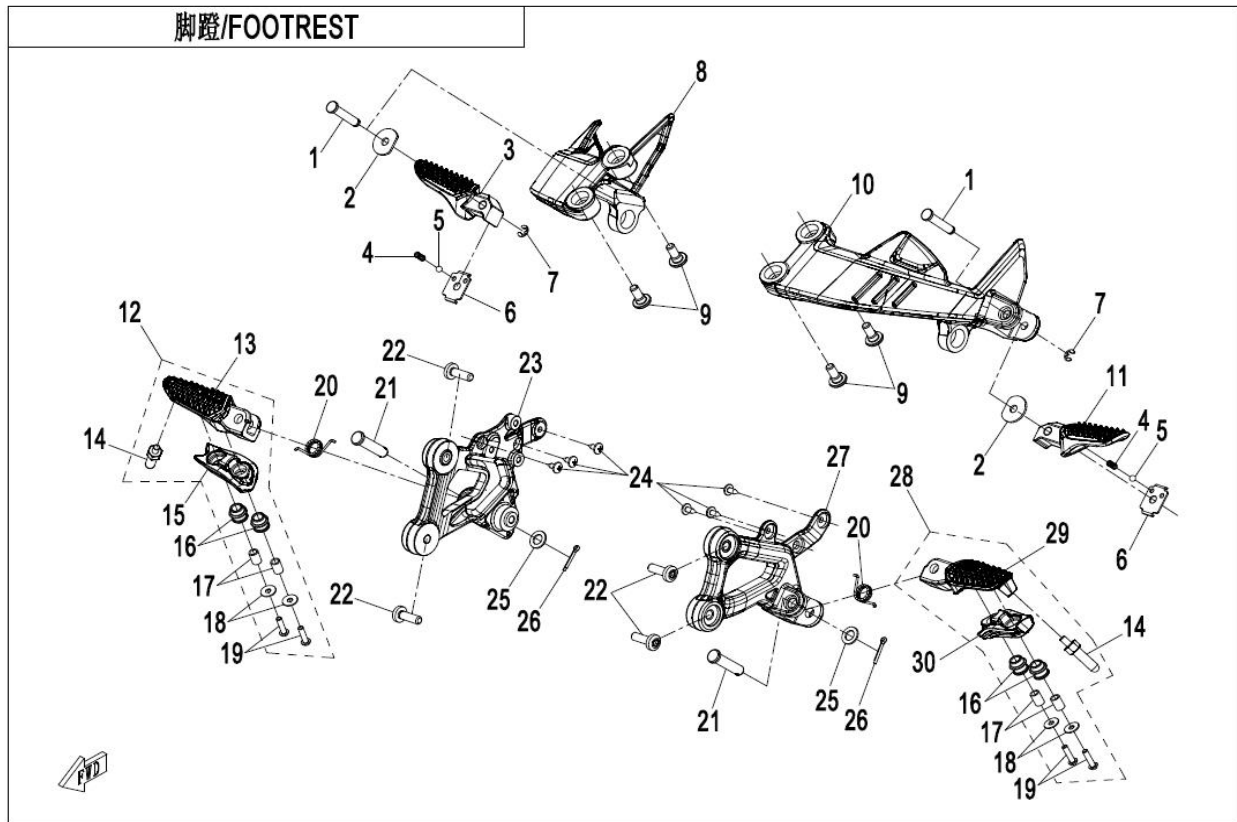
Item No.	Parts Number	Parts Name(EN)	Qty	Specification
01	30006-060025810	BOLT	2	M6×25
02	6KM0-120010	T-TYPE BUSHING ASSY	2	
03	5020-031001	RUBBER SLEEVE, FRONT LICENSE BRACKET	2	
04	6NT1-041510	BUCKLE ASSY	2	
05	6ARV-122000-1000-11	FUEL TANK DECAL ASSY	1	
05	6ARV-122000-1000-10	FUEL TANK DECAL ASSY	1	
06	6KMV-041112-3000	M6 RUBBER SLEEVE	2	
07	6ARV-170200-1000-M1	FUEL LEVEL SENSOR	1	
08	30102-050016810	SCREW	4	M5x16@TRIVALENT CHROMIUM
09	30006-060035810	BOLT	2	M6×35
10	30301-060412	WASHER	2	φ6
11	6NQ#-120004-6000	RUBBER DAMPER	2	
12	6ARV-120003-1000	BUSHING	2	
13	6GU#-021005-6000	GUARD RUBBER SLEEVE	2	
14	6ARV-120004-1000	RUBBER DAMPER BLOCK	1	
15	30601-111010	CLAMP	1	A11
16	9CSV-360005-6000	BREATHER HOSE 2, FUEL TANK	1	
17	801F-100101	TIE BAND	3	
18	6L30-150900	FUEL PUMP	1	
19	30006-060016810	BOLT	4	M6×16
20	6090-120210	QUICK JOINT	2	
21	6070-120400	CLAMP	2	Dia14.5
22	6ARV-120010-1000	HIGH-PRESSURE FUEL HOSE ASSY	1	

座墊/SEAT



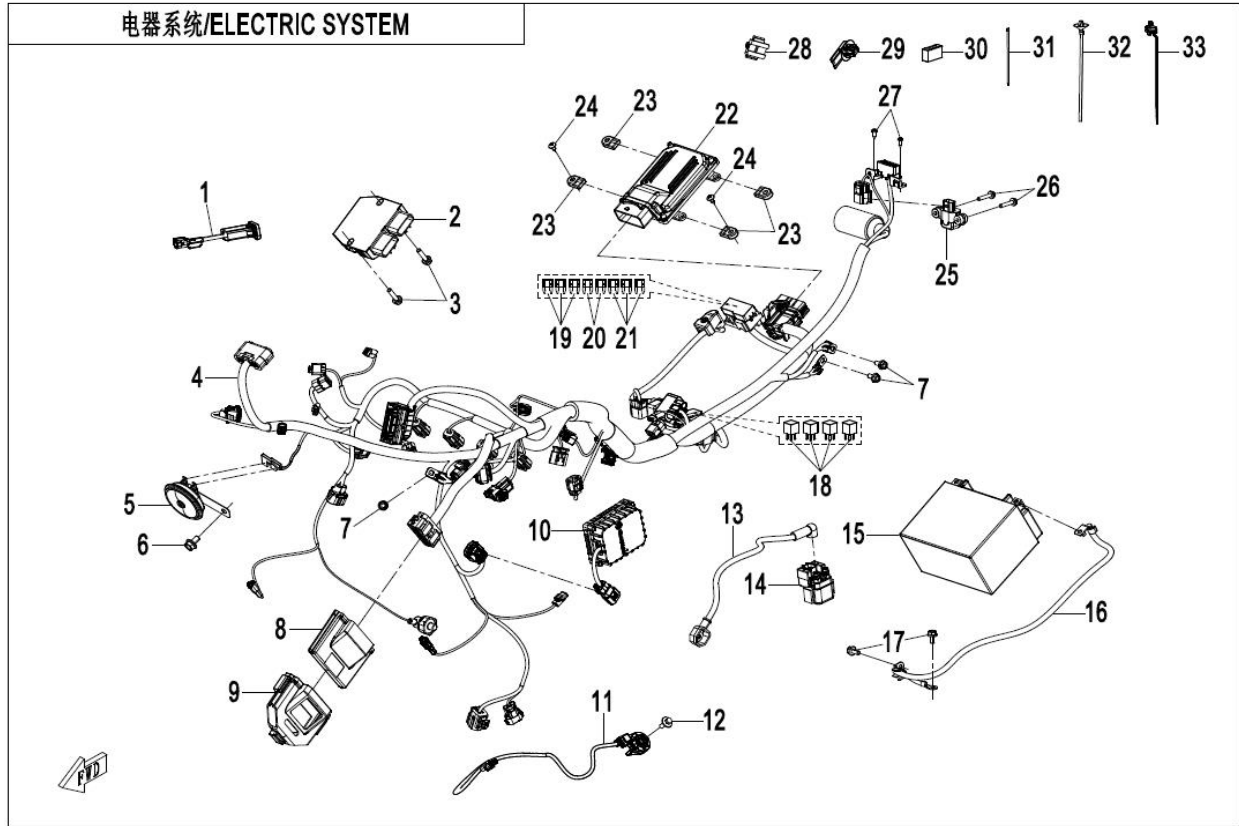
F13 SEAT

Item No.	Parts Number	Parts Name(EN)	Qty	Specification
01	6ARV-130100-1001	FRONT SEAT ASSY	1	
02	6KMV-130101-M300	RUBBER DAMPER	2	
03	6KM0-130205	CUSHION RUBBER WAHSER	7	
04	6ARV-130200-1000	REAR SEAT ASSY	1	
05	30006-060012810	BOLT	2	M6×12
06	6KWV-130300-1000	TIE BAND ASSEMBLY	1	



F14 FOOTREST

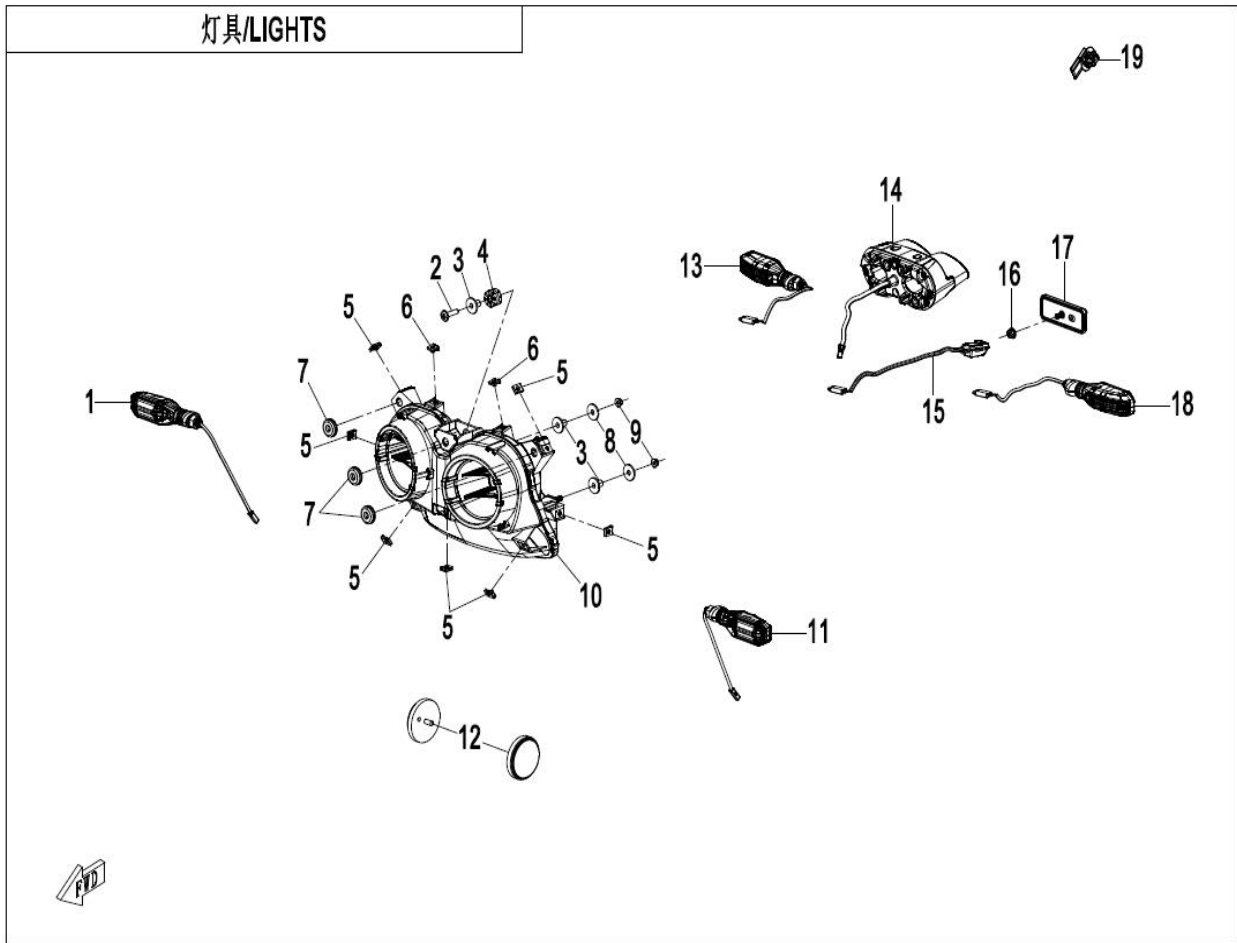
Item No.	Parts Number	Parts Name(EN)	Qty	Specification
01	A000-140142	PIN SHAFT Dia 8	2	Dia 8
02	A000-140106	LOCATING GASKET 2	2	
03	6AQV-140500-1001-0VR00	REAR RH FOOTREST SEAT	1	
04	5190-037813	SPRING	2	
05	5190-037814	STEEL BALL	2	
06	A000-140104	LOCATING GASKET 1	2	
07	30802-00603	CIRCLIP 6	2	6
08	6ARV-140040-1000	REAR RH FOOTREST BRACKET	1	
09	5HY0-220113	BOLT M8x20	4	M8x20
10	6ARV-140030-1000	REAR LH FOOTREST BRACKET	1	
11	6AQV-140400-1001-0VR00	REAR LH FOOTREST SEAT	1	
12	6AQV-1409B0	FRONT RH FOOTREST ASSY	1	
13	6AQV-140900-1001-0VR00	FRONT RH FOOTREST SEAT	1	
14	6AQV-140620-1000	LIMIT SCREW	2	
15	6GUV-140003-5600-0BP00	FRONT RH FOOTREST BALANCER	1	MAUD SPIRIT BLACK
16	6KMV-140001-3000	RUBBER DAMPER	4	
17	6NTG-200419	BUSHING	4	
18	30305-050112	WASHER	4	φ5
19	30105-050020450	SCREW	4	M5x20
20	A000-140103-10000	SPRING	2	
21	6WWV-140141-5000	PIN SHAFT	2	
22	6ARV-140002-1000	SCREW	4	M8x28
23	6ARV-140700-1000-0VR00	FRONT RH FOOTREST BRACKET ASSY	1	ELECTRO SILVER
24	30110-481130070	SCREW	6	
25	30300-100112	WASHER	2	φ10
26	30903-0322210	COTTER PIN	2	φ3.2x22
27	6ARV-140600-1000-0VR00	FRONT LH FOOTREST BRACKET ASSY	1	ELECTRO SILVER
28	6AQV-1408B0	FRONT LH FOOTREST ASSY	1	
29	6AQV-140800-1001-0VR00	FRONT LH FOOTREST SEAT	1	
30	6GUV-140002-5600-0BP00	FRONT LH FOOTREST BALANCER	1	MAUD SPIRIT BLACK



F15 ELECTRIC SYSTEM

Item No.	Parts Number	Parts Name(EN)	Qty	Specification
01	FA8V-150600-1001-10	USB OUTLET SOCKET	1	
02	6NTV-151000-3000	REGULATOR	1	
03	30006-060025810	BOLT	2	M6x25
04	6ARV-150100-1001	MAIN CABLE	1	
05	6ARV-150600-1000	HORN	1	
06	30006-080014810	BOLT	1	M8x14
07	30006-060010810	BOLT	3	M6x10
08	6ARV-151900-1000	BCM	1	
09	6WVV-150420-5000-10	BCM BUSHING	1	
10	SN1V-691100-1201-11	T-BOX	1	AllyTech@Eurasia and Africa and Australia except Turkey
10	SN1V-691100-1501-11	T-BOX	1	Turkey
10	SN1V-691100-1401-11	T-BOX	1	AllyTech@South America except for Brazil
10	SN1V-691100-1601-11	T-BOX	1	Brazil
10	SN1V-691100-1301-11	T-BOX	1	North Amrica
11	6ARV-151200-1000	SIDE STAND SWITCH	1	
12	6NQ#-000204-6001	BOLT	1	M6x16
13	6ARV-150310-1000	STARTER MOTOR POSITIVE CABLE	1	
14	6AQV-150510-7100	STARTER RELAY	1	
15	31021200	BATTERY	1	12V12AH
16	6ARV-150420-1000	BATTERY NEGATIVE CABLE	1	
17	30006-060012810	BOLT	2	M6x12
18	5BY4-150330	AUXILIARY RELAY	4	
19	8010-151301	FUSE 5A	3	5A
20	806A-151305	FUSE 15A	2	15A
21	806A-151307	25A FUSE	3	
22	6ARV-001000-1000	ECM ASSY	1	
23	6ARV-046033-1000	ECU RUBBER SLEEVE	4	
24	30110-420160070	SELF-TAPPING SCREW	2	ST4.2x16@BLACK ZINC-PLATED
25	6KJ0-150600	ROLL-OVER SENSOR	1	
26	0A70-014004-00002	BOLT M5x25	2	M5x25
27	30110-481130070	SCREW	2	
28	CFCV-CBC005-2000-M1	CLIP	3	
29	6GU#-150001-6000-M1	CLASP	2	
30	6100-150500	RUBBER SLEEVE, FLASHER	2	
31	8010-150003	TIE BAND	14	5x250
32	801F-100101	TIE BAND	2	
33	9DS#-150009-6100-M1	TIE BAND ZDG4.7x194	1	

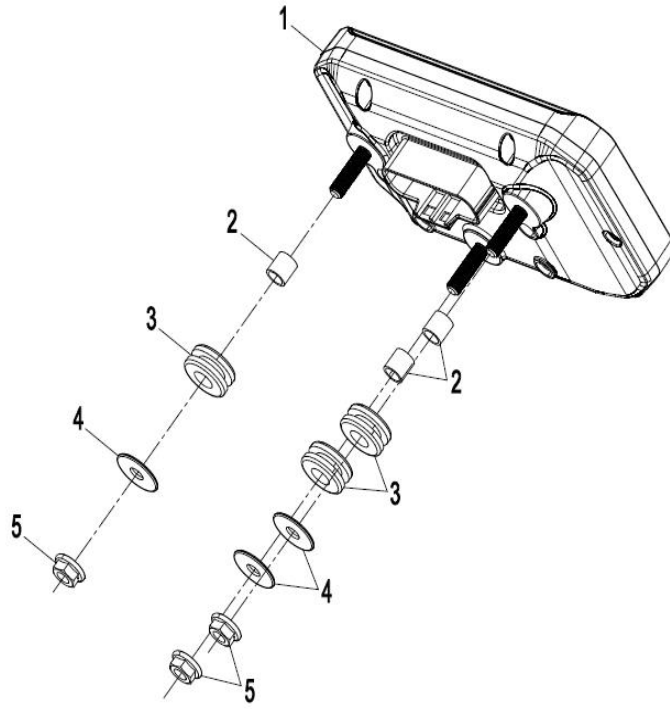
灯具/LIGHTS



F16 LIGHTS

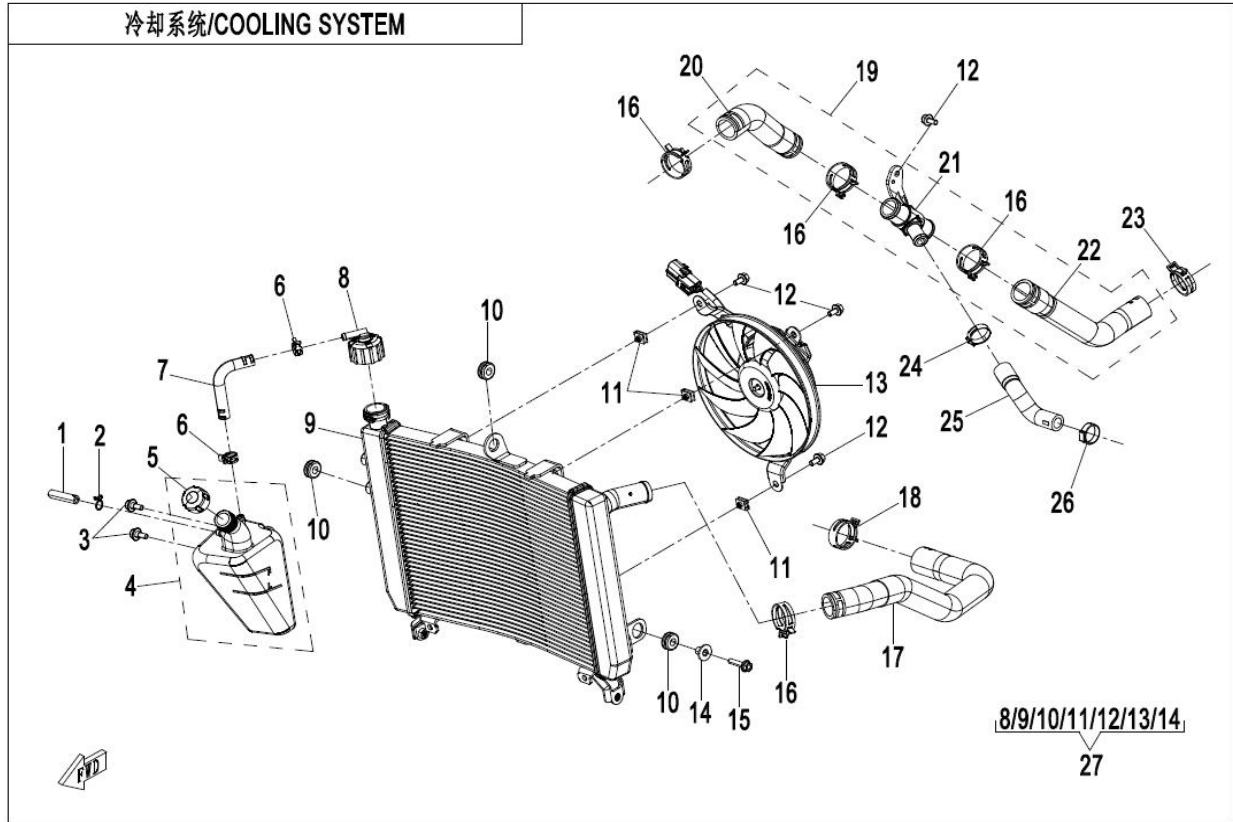
Item No.	Parts Number	Parts Name(EN)	Qty	Specification
01	6ARV-160520-1000	FRONT RH TURN LIGHT ASSY	1	
02	6GU#-000201-6000	INNER HEX SCREW M6x25	1	
03	6GU#-000202-6000	T SHAPE BUSHING KIT	3	
04	5020-031001	RUBBER SLEEVE, FRONT LICENSE BRACKET	1	
05	8080-000002	CLIP NUT ST4.8	7	ST4.8
06	6KM#-040081-8000-M1	NUT CLIP M5	2	
07	6AQV-040606-7100	SIDE PANEL CUSHION SLEEVE	3	
08	30301-060412	WASHER	2	φ6
09	30202-060110	NUT	2	M6
10	6ARV-160110-1000	HEADLIGHT ASSY	1	
11	6ARV-160510-1000	FRONT LH TURN LIGHT ASSY	1	
12	9GQV-160920-1401-M1	FRONT SIDE REFLECTOR	2	
13	6ARV-160540-1000	REAR RH TURN LIGHT ASSY	1	
14	6ARV-160200-1000	TAIL LIGHT	1	
15	6ARV-160600-1000	LICENSE LIGHT	1	
16	30202-050110	NUT	1	M5
17	6WWW-160230-5000	REAR REFLECTOR	1	
18	6ARV-160530-1000	REAR LH TURN LIGHT ASSY	1	
19	6GU#-150001-6000-M1	CLASP	1	

仪表/DASHBOARD



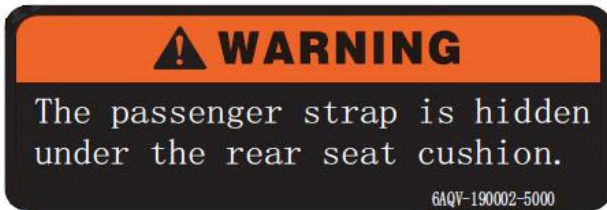
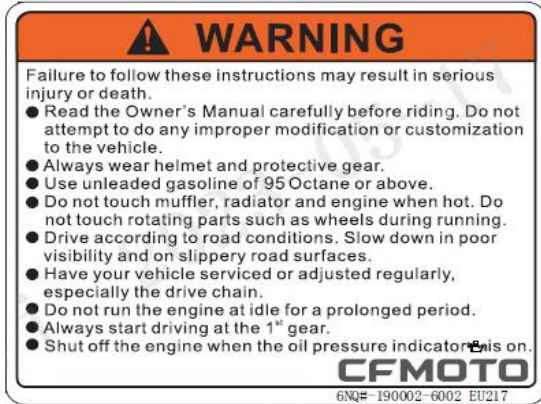
F17 DASHBOARD

Item No.	Parts Number	Parts Name(EN)	Qty	Specification
01	6ARV-171000-1000-10	DASHBOARD	1	
01	6ARV-171000-1000-11	DASHBOARD	1	
01	6ARV-171000-1000-12	DASHBOARD	1	
02	6090-040303	BUSHING	3	
03	6090-040302	CUSHION SLEEVE	3	
04	30305-060112	WASHER	3	φ6
05	30202-060110	NUT	3	M6



F18 COOLING SYSTEM

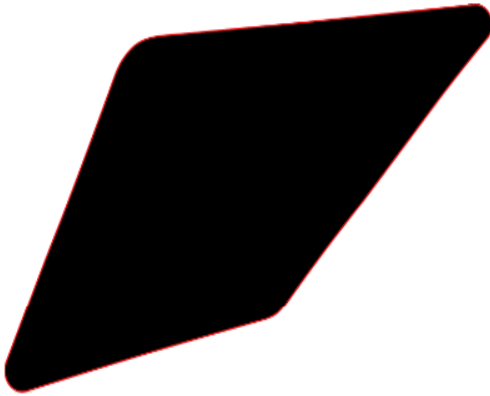
Item No.	Parts Number	Parts Name(EN)	Qty	Specification
01	6ARV-180007-1000	RESERVOIR OVERFLOW HOSE	1	
02	30601-110010	CLAMP	1	A10
03	8010-000004	BOLT M6x14	2	M6x14
04	6ARV-180200-1000	RESERVOIR ASSY	1	
05	6AQV-180110-1000	RESEVOIR COVER	1	
06	30601-212570	CLAMP	2	
07	6ARV-180003-1000	RESERVOIR CONNECTING PIPE	1	
08	6GUV-181010-6001	FILLER CAP ASSY	1	
09	6ARV-181100-1000	RADIATOR ASSY	1	
10	6WVV-181001-5000	DAMPING MAT, RADIATOR	3	
11	8030-040800-00001	NUT CLIP M6	3	M6
12	30006-060012870	BOLT	4	M6x12
13	6ARV-181200-1000	FAN MOTOR ASSY	1	
14	9060-180029	RADIATOR SLEEVE TUBE	1	
15	30006-060025870	BOLT	1	GB/T5789_M6x25
16	6WVV-180006-5000	CLAMP B32	4	
17	6ARV-180001-1000	RADIATOR WATER INLET HOSE	1	
18	7000-180007-00001	STEEL BAND CLAMP 34	1	
19	6ARV-180002-1000	RADIATOR WATER OUTLET HOSE	1	
20	6ARV-180004-1000	RADIATOR OUTLET PIPE 1	1	
21	6ARV-180005-1000	T-JOINT	1	
22	6ARV-180006-1000	RADIATOR OUTLET PIPE 2	1	
23	30601-229060	CLAMP	1	
24	0RVV-072003-1000	CLAMP	1	
25	0WRV-072002-1000	OIL COOLER OUTLET HOSE	1	
26	0SQV-028002-1000-M1	CLAMP	1	Dia 22.5
27	6ARV-181000-1000	RADIATOR FAN ASSY	1	



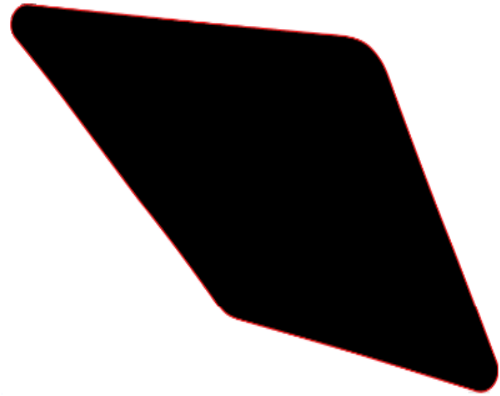
F19-1 LABEL

Item No.	Parts Number	Parts Name(EN)	Qty	Specification
01	6NQ#-190002-6002	SAFETY WARNING INSTRUCTION LABEL	1	
02	6AQV-190002-5000	SAFETY BELT LABEL	1	
03	9GQA-190201-10000	WARNING LABEL, FUEL FILLING PORT	1	

1



2



3



4



F19-2 DECAL

Item No.	Parts Number	Parts Name(EN)	Qty	Specification
01	6ARV-190206-1000	FUEL TANK RH WEAR-RESISTANT STICKER	1	
02	6ARV-190205-1000	FUEL TANK LH WEAR-RESISTANT STICKER	1	
03	6ARV-190006-1000-10	MODEL DECAL	2	
04	6ARV-191000-1000	POWER LOCK LOGO	1	

6ARV-190100-1000-10个性贴花总成

春风蓝配色



F19-3-A DECAL KITS(ZEPHYR BLUE)

Item No.	Parts Number	Parts Name(EN)	Qty	Specification
01	6ARV-190101-1000-10	RADIATOR LH PANEL UPPER DECAL	1	
02	6ARV-190102-1000-10	RADIATOR RH PANEL UPPER DECAL	1	
03	6ARV-190103-1000-10	RADIATOR LH PANEL LOWER DECAL	1	
04	6ARV-190104-1000-10	RADIATOR RH PANEL LOWER DECAL	1	
05	6ARV-190105-1000-10	TAIL LIGHT LH PANEL DECAL	1	
06	6ARV-190106-1000-10	TAIL LIGHT RH PANEL DECAL	1	
07	6ARV-190107-1000-10	RIM LH CFMOTO DECAL	2	
08	6ARV-190108-1000-10	RIM RH CFMOTO DECAL	2	
09	6ARV-190109-1000-10	FRONT FENDER DECAL	1	
10	6ARV-190110-1000-10	RIM LH DECAL	2	
11	6ARV-190111-1000-10	RIM RH DECAL	2	

6ARV-190100-1000-11个性贴花总成

星光白配色

刀模线(半模线) 覆膜线(定位线)

电镀银 星光黑 赤砂金 星光白 速感灰

贴花选材图例

- 光白亮光
- 光白哑光
- 透明亮光
- 透明哑光
- 透明内贴

1. 工件: 散热器左护板, 外贴
颜色: 星光黑, 亮光面
材料: PA6+GF15
2. 工件: 散热器右护板, 外贴
颜色: 星光黑, 亮光面
材料: PA6+GF15
3. 工件: 散热器左护板, 外贴
颜色: 星光黑, 亮光面
材料: PA6+GF15
4. 工件: 散热器右护板, 外贴
颜色: 星光黑, 亮光面
材料: PA6+GF15
5. 工件: 尾灯左护罩, 外贴
颜色: 星光黑, 亮光面
材料: ABS
6. 工件: 尾灯右护罩, 外贴
颜色: 星光黑, 亮光面
材料: ABS
7. 工件: 前后轮辋组合, 左侧, 内圈, 外贴
颜色: 星光黑, 亮光面
材料: A356
8. 工件: 前后轮辋组合, 右侧, 内圈, 外贴
颜色: 星光黑, 亮光面
材料: A356
9. 工件: 前挡泥板, 外贴
颜色: 星光黑, 亮光面
材料: PA+ABS
10. 工件: 前后轮辋组合, 左侧, 外圈, 外贴
颜色: 星光黑, 亮光面
材料: A356
11. 工件: 前后轮辋组合, 右侧, 外圈, 外贴
颜色: 星光黑, 亮光面
材料: A356

F19-3-B DECAL KITS(NEBULA WHITE)

Item No.	Parts Number	Parts Name(EN)	Qty	Specification
01	6ARV-190101-1000-11	RADIATOR LH PANEL UPPER DECAL	1	
02	6ARV-190102-1000-11	RADIATOR RH PANEL UPPER DECAL	1	
03	6ARV-190103-1000-11	RADIATOR LH PANEL LOWER DECAL	1	
04	6ARV-190104-1000-11	RADIATOR RH PANEL LOWER DECAL	1	
05	6ARV-190105-1000-11	TAIL LIGHT LH PANEL DECAL	1	
06	6ARV-190106-1000-11	TAIL LIGHT RH PANEL DECAL	1	
07	6ARV-190107-1000-11	RIM LH CFMOTO DECAL	2	
08	6ARV-190108-1000-11	RIM RH CFMOTO DECAL	2	
09	6ARV-190109-1000-11	FRONT FENDER DECAL	1	
10	6ARV-190110-1000-11	RIM LH DECAL	2	
11	6ARV-190111-1000-11	RIM RH DECAL	2	

Name of the Manufacturer:ZHEJIANG CFMOTO POWER CO., LTD.

Country of Production:CHINA Year and month of production:

VIN:

Engine capacity: cc Model year:

This motorcycle complies with all GSO Technical Regulations and GSO Standards in effect up to the date of manufacture.

F19-4 GSO LABEL(MIDDLE EAST GULF STATES)

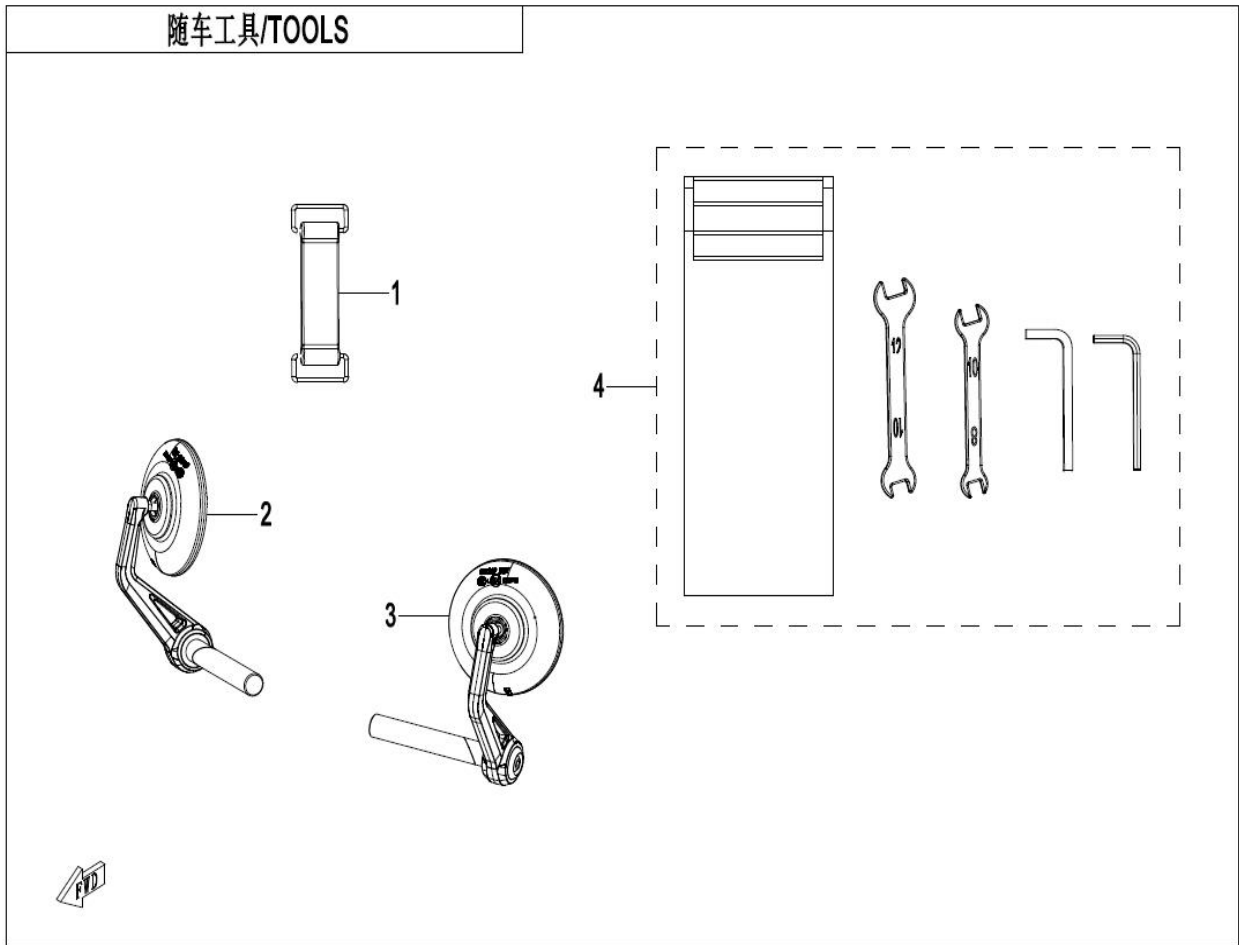
Item No.	Parts Number	Parts Name(EN)	Qty	Specification
01	6KMV-190017-B400	GSO LABEL	1	



F19-5 EAC LABEL (KAZAKHSTAN)

Item No.	Parts Number	Parts Name(EN)	Qty	Specification
01	7020-190507	EAC LABEL	1	EAC LABEL

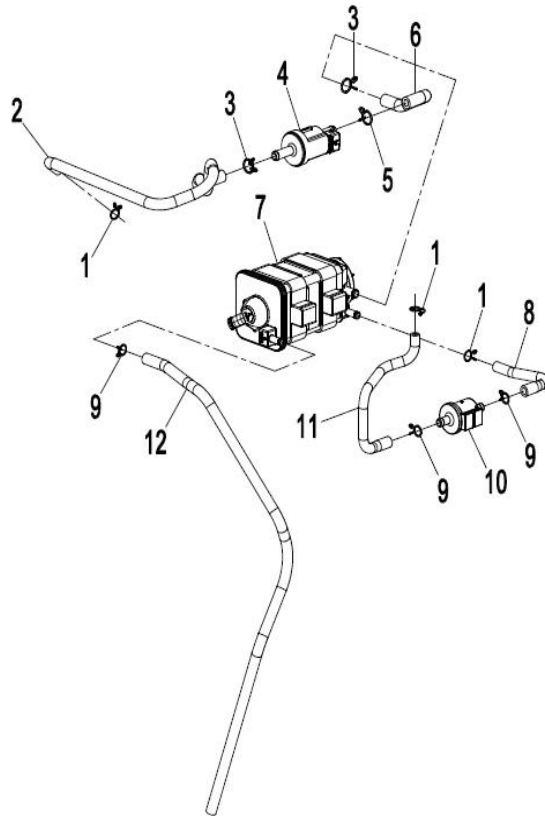
随车工具/TOOLS



F20 TOOLS

Item No.	Parts Number	Parts Name(EN)	Qty	Specification
01	8010-000012	TIE BAND ASSY	1	
02	6ARV-200400-1000	RH REAR VIEW MIRROR ASSY	1	
03	6ARV-200300-1000	LH REAR VIEW MIRROR ASSY	1	
04	6AQV-200100-1000	TOOL KIT	1	

燃油蒸发系统/FUEL VAPORIZION SYSTEM



F36 FUEL EVAPORATION SYSTEM

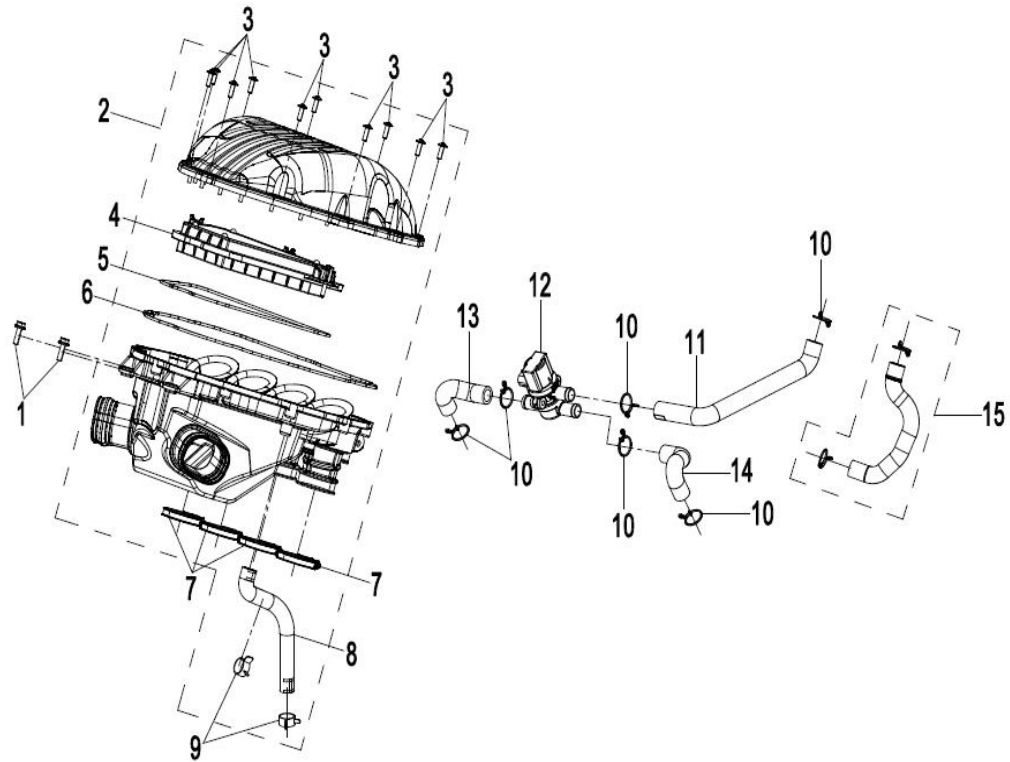
Item No.	Parts Number	Parts Name(EN)	Qty	Specification
01	30601-109010	CLAMP	3	A9
02	6ARV-360004-1001	FUEL VAPOR DESORPTION HOSE 2	1	
03	30601-111010	CLAMP	2	A11
04	1F3V-172000-1000	CANISTER MAGNETIC VALVE	1	
05	30601-112010	CLAMP	1	A12
06	6ARV-360003-1000	FUEL VAPOR DESORPTION HOSE 1	1	
07	6ARV-360200-1000	CANISTER	1	
08	6ARV-360002-1000	FUEL VAPOR ADSORPTION HOSE 2	1	
09	30601-110010	CLAMP	3	A10
10	6WWV-360010-5000	TWO-WAY VALVE	1	
11	6ARV-360001-1000	FUEL VAPOR ADSORPTION HOSE 1	1	
12	6ARV-360005-1000	CANISTER OVERFLOW PIPE	1	



F38 OWNER\ 'S MANUAL

Item No.	Parts Number	Parts Name(EN)	Qty	Specification
01	6ARV-380101-1100-12	OWNERS MANUAL	1	

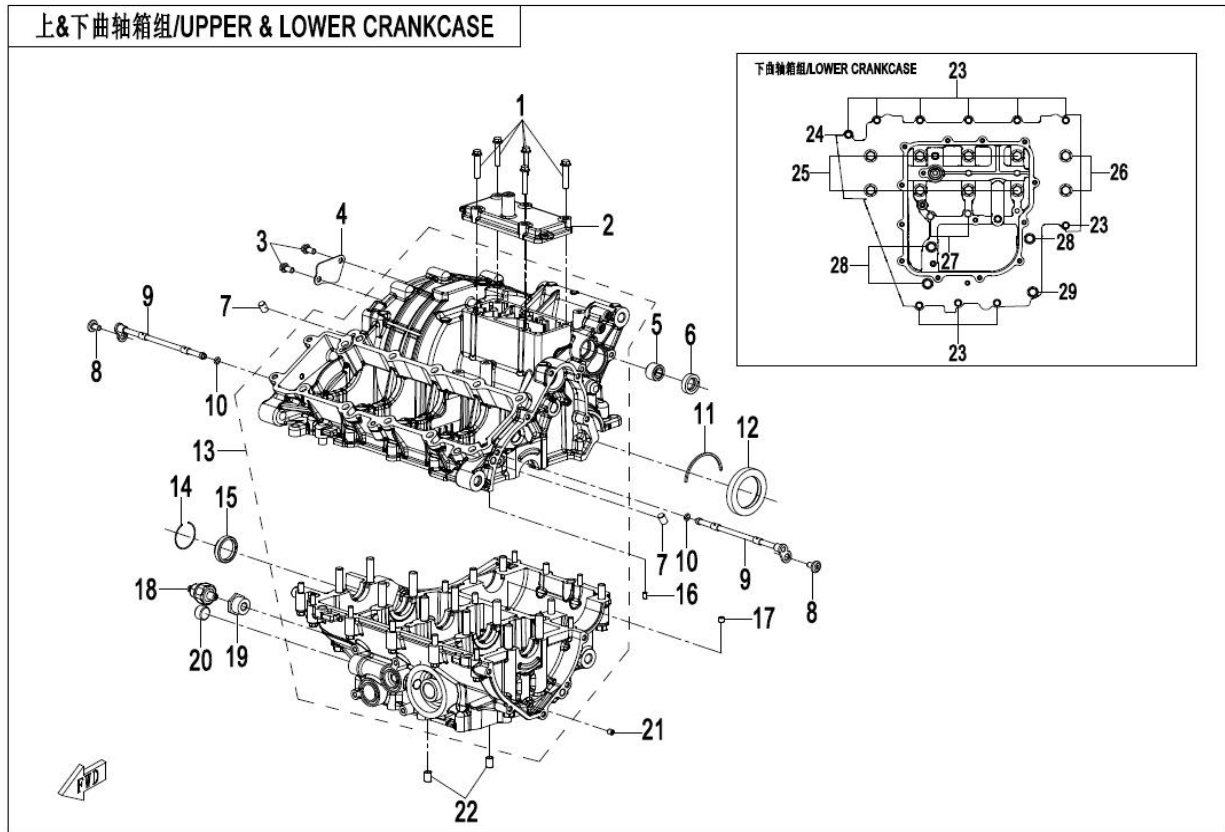
空滤器组/AIR FILTER ASSY



F41 AIR FILTER ASSY

Item No.	Parts Number	Parts Name(EN)	Qty	Specification
01	30006-060020810	BOLT	2	M6×20
02	0WRV-110000-1000	AIR FILTER ASSY	1	
03	0WRV-110000-1000-22	SCREW	10	
04	0WRV-112000-1000	AIR FILTER ELEMENT ASSY	1	
05	0WRV-110000-1000-21	FILTER ELEMENT SEAL RING	1	
06	0WRV-110000-1000-20	HOUSING SEAL RING	1	
07	0WRV-110006-1000	CLAMP ASSY	4	
08	0WRV-110005-1000	CRANKCASE BLEED PIPE	1	
09	0WRV-110000-1000-23	CLAMP	2	
10	30601-118010	CLAMP	6	A18
11	0WRV-140001-1000	SECONDARY GULP INTAKE PIPE	1	
12	0JYV-179000-3001	SECONDARY GULP VALVE	1	
13	0WRV-140003-1000	SECONDARY GULP OUTLET PIPE 2	1	
14	0WRV-140002-1000	SECONDARY GULP OUTLET PIPE 1	1	
15	0WRV-173100-1000	INTAKE COMPENSATION PIPE ASSY	1	

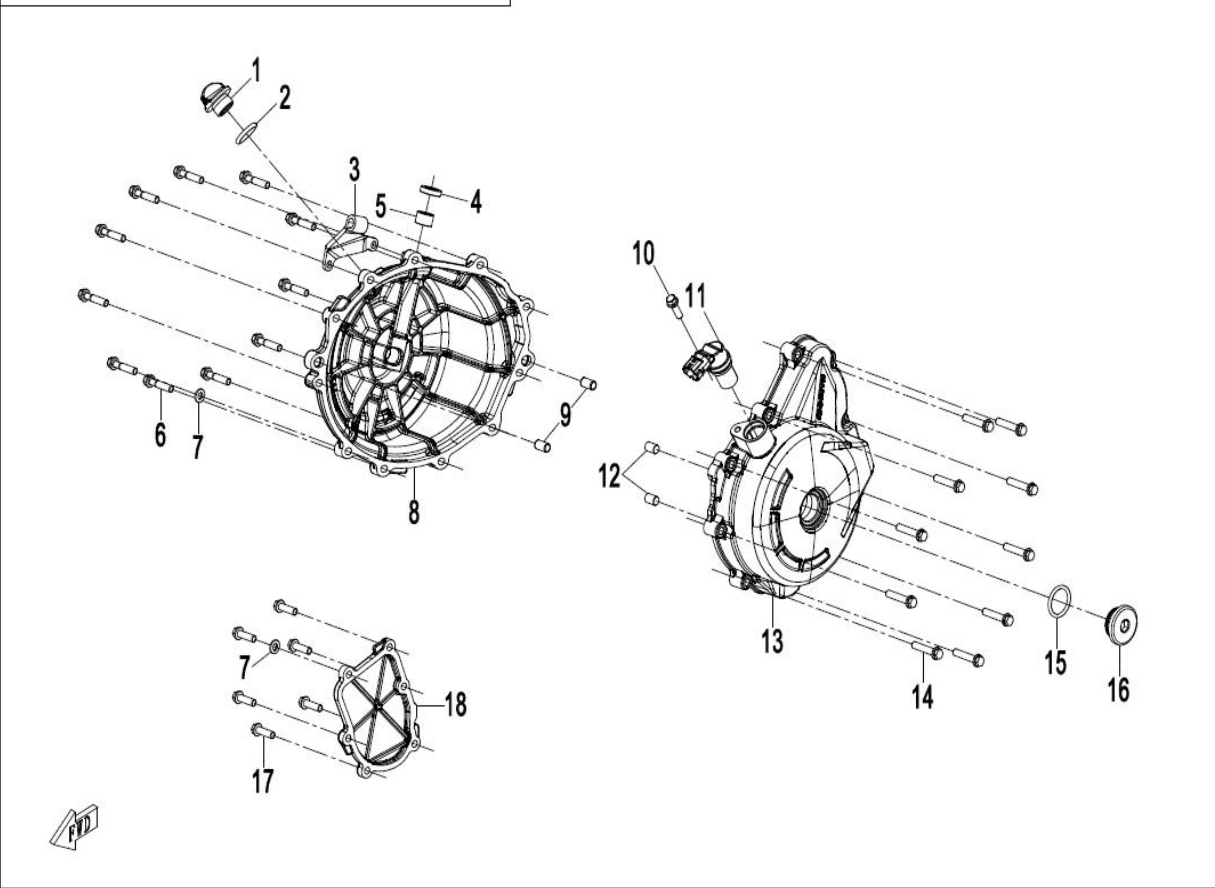
上&下曲轴箱组/UPPER & LOWER CRANKCASE



E01-1 UPPER & LOWER CRANKCASE ASSY

Item No.	Parts Number	Parts Name(EN)	Qty	Specification
01	0010-060012-0010	BOLT M6x30	5	M6x30
02	0WRV-011102-1000-0BP00	MAZE COVER	1	MAUD SPIRIT BLACK
03	0010-021019-0010	BOLT M6x12	2	M6x12
04	0HTV-011103-7000	MAZE RETAINER	1	
05	30403-01400	NEEDLE BEARING	1	
06	1F30-011600-10000	OIL SEAL	1	14x24x6
07	30410-00800	ROLLER	2	
08	0700-070002-00001	SCREW M6x9	2	
09	0WRV-011110-1000	PISTON COOLING PIPE ASSY	2	
10	0WRV-011111-1000	O-RING	2	4.9x1.9
11	0SQV-011004-1000	RETAINER, BEARING	1	
12	0SQV-010001-1001	COUNTERSHAFT OIL SEAL	1	
13	0WRV-01FZ01-1000-0BP00	CRANKCASE ASSY	1	MAUD SPIRIT BLACK
14	0HU0-013009	RETAINER	1	
15	0700-013100-00001	VIEWER, OIL LEVEL	1	
16	30406-00401	ROLLER NEEDLE P4x7.8	1	P4x7.8
17	0WRV-070001-1000	ORIFICE PLUG	1	
18	0WRV-012400-1000	OIL PRESSURE SWITCH	1	
19	0RVV-012006-1000	OIL PRESSURE SWITCH ADAPTER SEAT	1	
20	0700-012105-00001	PLUG, MAIN OIL RAIL	1	
21	0700-012104-00002	SCREW PLUG M6, OIL PASSAGE	1	M6
22	0DM0-022201-10000	DOWEL PIN	2	
23	0010-013008-0010	BOLT M6x35	10	M6x35
24	0WMV-022107-1000	WASHER	1	6.2x12x1.5
25	0HTV-012200-7000	BOLT	8	M9x96
26	0SQV-012200-1000	BOLT ASSY	2	M9x108
27	0010-021018-0010	BOLT M6x55	2	M6x55
28	0HTV-012500-7000	BOLT	3	M8x60
29	0HTV-012600-7000	BOLT	1	M8x50

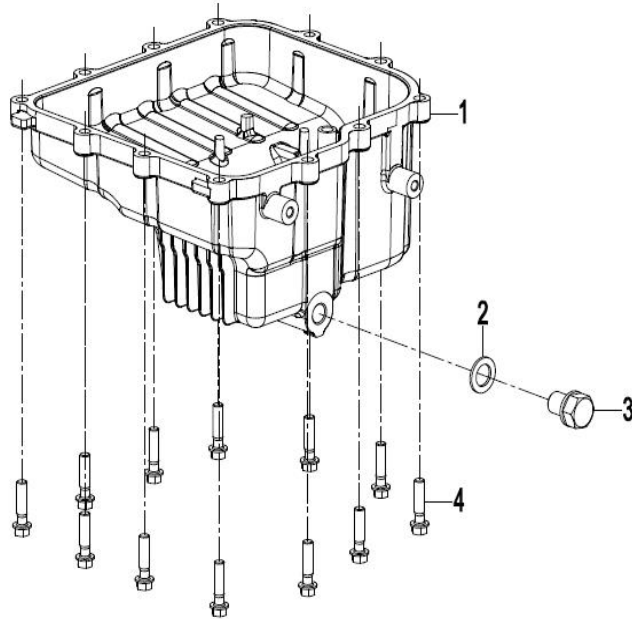
左&右侧盖组/LEFT & RIGHT SIDE COVER



E01-2 LEFT& RIGHT SIDE COVER

Item No.	Parts Number	Parts Name(EN)	Qty	Specification
01	0700-013008	PLUG, OIL FILLING	1	
02	0110-013030	O-RING	1	18x3.55
03	0WRV-050003-1000	CLUTCH CABLE BRACKET	1	
04	0010-080009	OIL SEAL	1	12x20x5
05	30403-01200	BEARING	1	12×16×10
06	0010-070003-00002	BOLT	11	
07	0WMV-022107-1000	WASHER	2	6.2×12×1.5
08	0WRV-013001-1000-0YP00	RH SIDE COVER	1	
09	0010-080008	DOWEL PIN	2	8X14
10	0010-023008-00001	BOLT	1	
11	0JVV-014100-6000	TRIGGER ASSY	1	
12	30410-00800	ROLLER	2	
13	0WRV-014001-1000-0YP00	LH SIDE COVER	1	
14	0010-060012-0010	BOLT M6x30	10	M6x30
15	0A70-014006-10000	O-RING	1	22.7×3.1
16	0A70-014005-0YP00	FRONT LH SIDE COVER NUT	1	
17	0010-023010-0010	BOLT M6x20	6	M6x20
18	0WRV-016001-1000-0BP00	TIMING GUARD COVER	1	MAUD SPIRIT BLACK

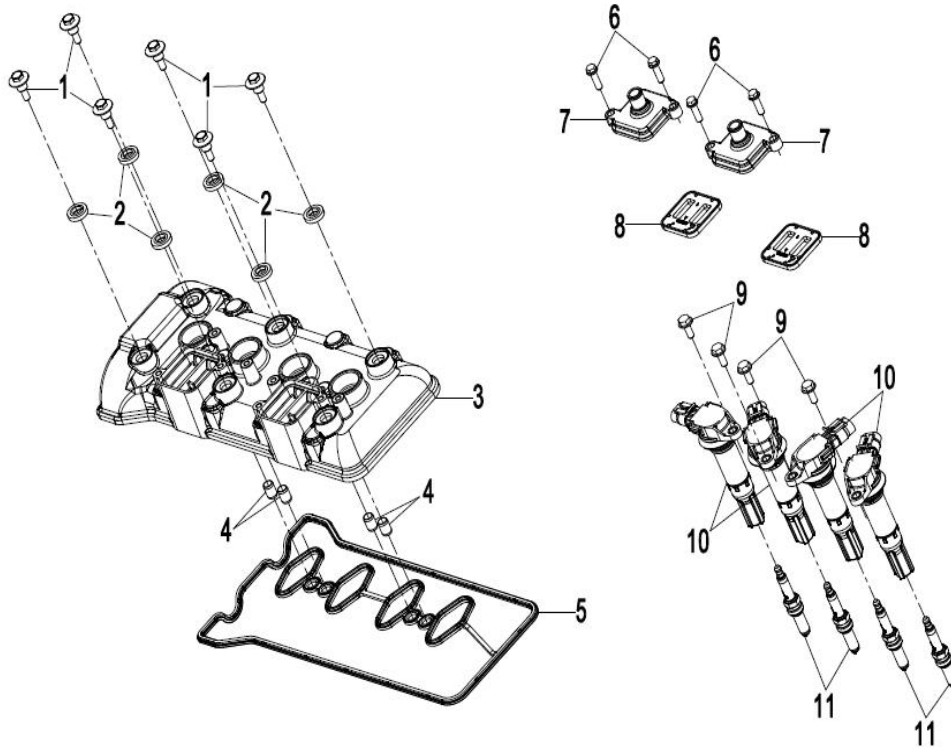
油底壳/OIL PAN



E01-3 OIL PAN

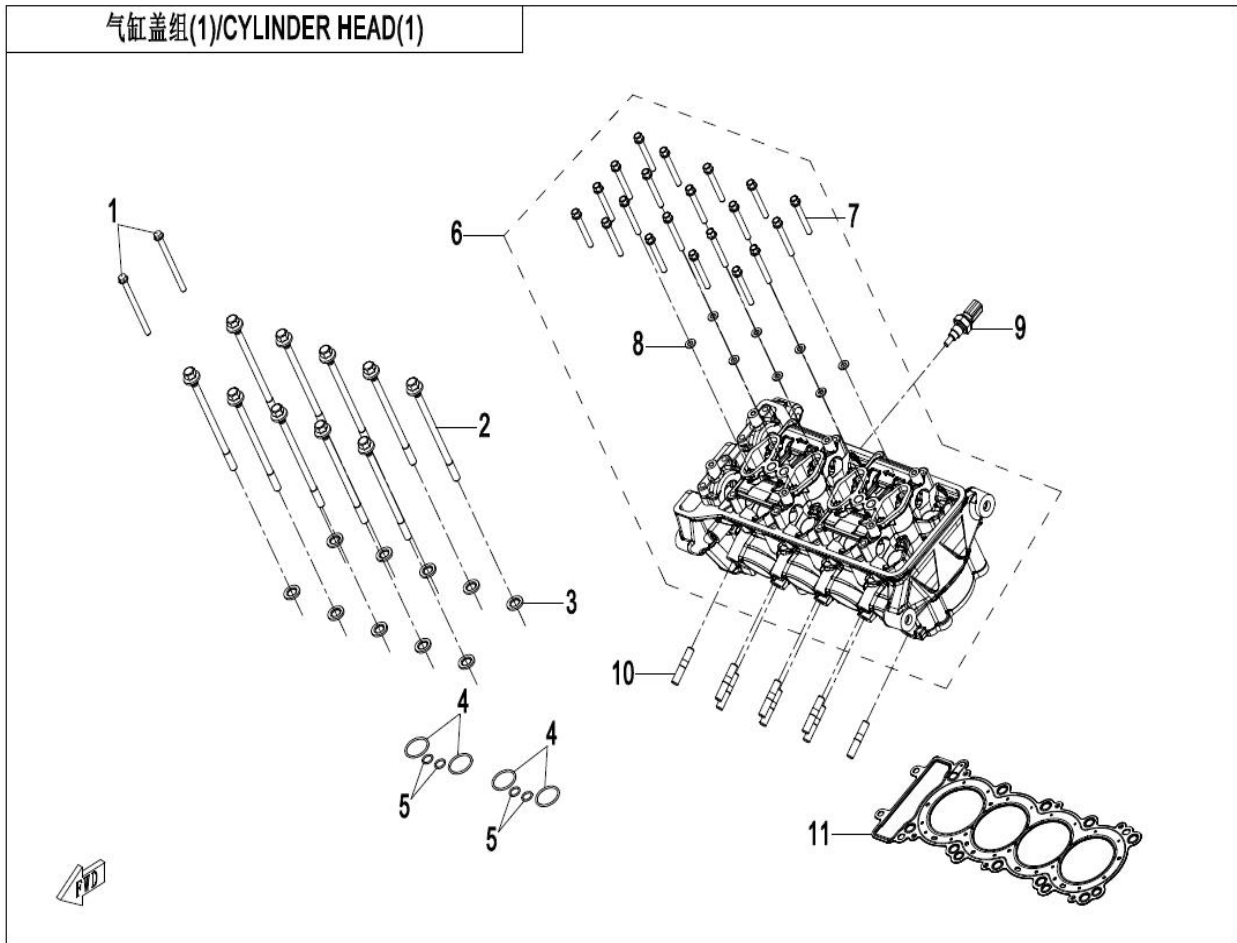
Item No.	Parts Number	Parts Name(EN)	Qty	Specification
01	0WRV-015001-1000-0BP00	OIL PAN	1	MAUD SPIRIT BLACK
02	0010-021014	WASHER 12	1	12
03	0180-011500	MAGNETIC DRAIN BOLT	1	M12x1.5
04	0010-021017-0010	BOLT M6x25	12	M6x25

气缸盖罩组/CYLINDER HEAD COVER



E02-1 CYLINDER HEAD COVER

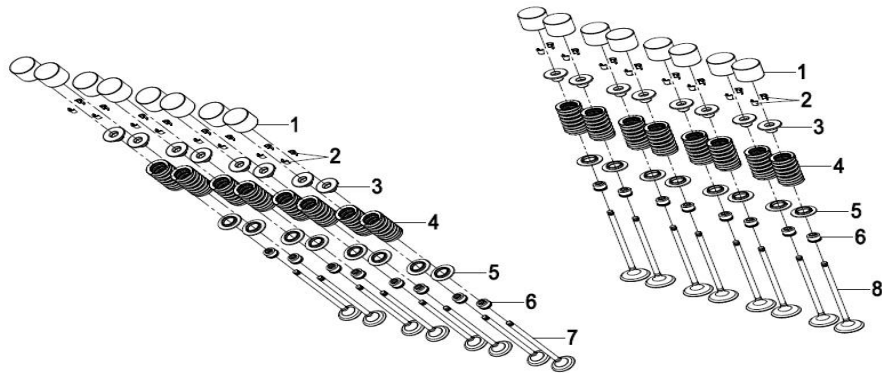
Item No.	Parts Number	Parts Name(EN)	Qty	Specification
01	0700-021003-00001	CYLINDER HEAD COVER BOLT	6	GALVANIZED TRIV
02	0700-021200	CYLINDER HEAD COVER BOLT SEAL RING	6	
03	0WRV-021001-1000-0BP00	CYLINDER GUARD COVER	1	MAUD SPIRIT BLACK
04	0010-021005	DOWEL PIN	4	10x14
05	0WRV-021002-1000	CYLINDER HEAD COVER SEAL RING	1	
06	0010-023010-0010	BOLT M6x20	4	M6x20
07	0RVV-021004-1000-0BP00	ONE-WAY VALVE COVER	2	MAUD SPIRIT BLACK
08	0MQB-021100-20001	SPRING VALVE ASSY	2	
09	0010-023008-00001	BOLT	4	
10	0WMV-178000-1000	IGNITION COIL	4	
11	0WRV-170200-1000	SPARK PLUG ASSY	4	



E02-2 CYLINDER HEAD(1)

Item No.	Parts Number	Parts Name(EN)	Qty	Specification
01	0800-022009-00001	BOLT M6x80	2	M6x80
02	0WMV-022008-1000	CYLINDER HEAD BOLT	10	
03	0700-022016	WASHER	10	10.5x19x2.3
04	0800-062205	O-RING	4	25x2
05	0060-022001	O-SEAL RING	4	10x1.6
06	0WRV-022100-1000-0BP00	CYLINDER HEAD ASSY	1	MAUD SPIRIT BLACK
07	0SQV-022106-1001	HEX FLANGE BOLT	20	
08	0WMV-022107-1000	WASHER	8	6.2x12x1.5
09	018B-022810	WATER TEMPERATURE SENSOR	1	
10	0180-022003-00002	STUD	8	M8x42
11	0WRV-022200-1000	CYLINDER HEAD GASKET	1	

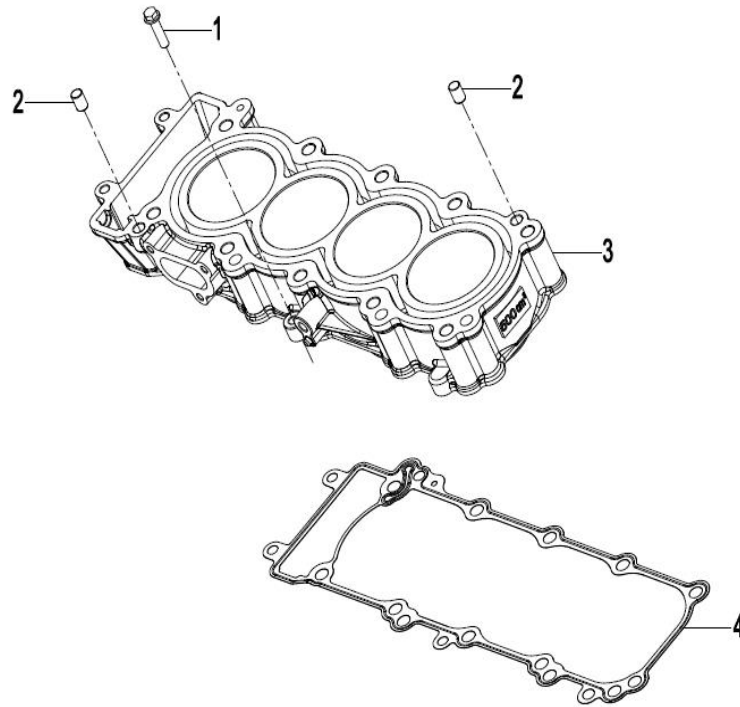
气缸盖组(2)/CYLINDER HEAD(2)



E02-3 CYLINDER HEAD(2)

Item No.	Parts Number	Parts Name(EN)	Qty	Specification
01	OWMV-022005-1000-00019	TAPPET	16	t=4.450
01	OWMV-022005-1000-00041	TAPPET	16	t=5.000
01	OWMV-022005-1000-00020	TAPPET	16	t=4.475
01	OWMV-022005-1000-00021	TAPPET	16	t=4.500
01	OWMV-022005-1000-00022	TAPPET	16	t=4.525
01	OWMV-022005-1000-00023	TAPPET	16	t=4.550
01	OWMV-022005-1000-00024	TAPPET	16	t=4.575
01	OWMV-022005-1000-00025	TAPPET	16	t=4.600
01	OWMV-022005-1000-00026	TAPPET	16	t=4.625
01	OWMV-022005-1000-00027	TAPPET	16	t=4.650
01	OWMV-022005-1000-00028	TAPPET	16	t=4.675
01	OWMV-022005-1000-00007	TAPPET	16	t=4.150
01	OWMV-022005-1000-00029	TAPPET	16	t=4.700
01	OWMV-022005-1000-00008	TAPPET	16	t=4.175
01	OWMV-022005-1000-00030	TAPPET	16	t=4.725
01	OWMV-022005-1000-00009	TAPPET	16	t=4.200
01	OWMV-022005-1000-00031	TAPPET	16	t=4.750
01	OWMV-022005-1000-00010	TAPPET	16	t=4.225
01	OWMV-022005-1000-00032	TAPPET	16	t=4.775
01	OWMV-022005-1000-00011	TAPPET	16	t=4.250
01	OWMV-022005-1000-00033	TAPPET	16	t=4.800
01	OWMV-022005-1000-00012	TAPPET	16	t=4.275
01	OWMV-022005-1000-00034	TAPPET	16	t=4.825
01	OWMV-022005-1000-00013	TAPPET	16	t=4.300
01	OWMV-022005-1000-00035	TAPPET	16	t=4.850
01	OWMV-022005-1000-00014	TAPPET	16	t=4.325
01	OWMV-022005-1000-00036	TAPPET	16	t=4.875
01	OWMV-022005-1000-00015	TAPPET	16	t=4.350
01	OWMV-022005-1000-00016	TAPPET	16	t=4.375
01	OWMV-022005-1000-00001	TAPPET	16	t=4.000
01	OWMV-022005-1000-00002	TAPPET	16	t=4.025
01	OWMV-022005-1000-00003	TAPPET	16	t=4.050
01	OWMV-022005-1000-00004	TAPPET	16	t=4.075
01	OWMV-022005-1000-00005	TAPPET	16	t=4.100
01	OWMV-022005-1000-00006	TAPPET	16	t=4.125
01	OWMV-022005-1000-00037	TAPPET	16	t=4.900
01	OWMV-022005-1000-00038	TAPPET	16	t=4.925
01	OWMV-022005-1000-00017	TAPPET	16	t=4.400
01	OWMV-022005-1000-00039	TAPPET	16	t=4.950
01	OWMV-022005-1000-00018	TAPPET	16	t=4.425
01	OWMV-022005-1000-00040	TAPPET	16	t=4.975
02	0700-022004	LOCK CLIP, VALVE	32	
03	OWMV-022003-1000	VALVE SPRING UPPER SEAT	16	
04	OWMV-022018-1000	SPRING VALVE	16	
05	OWMV-022006-1000	VALVE SPRING LOWER SEAT	16	
06	0700-022400-1000	SEAL RING, VALVE STEM	16	
07	OWMV-022013-1000	EXHAUST VALVE	8	
08	OWMV-022012-1000	INTAKE VALVE	8	

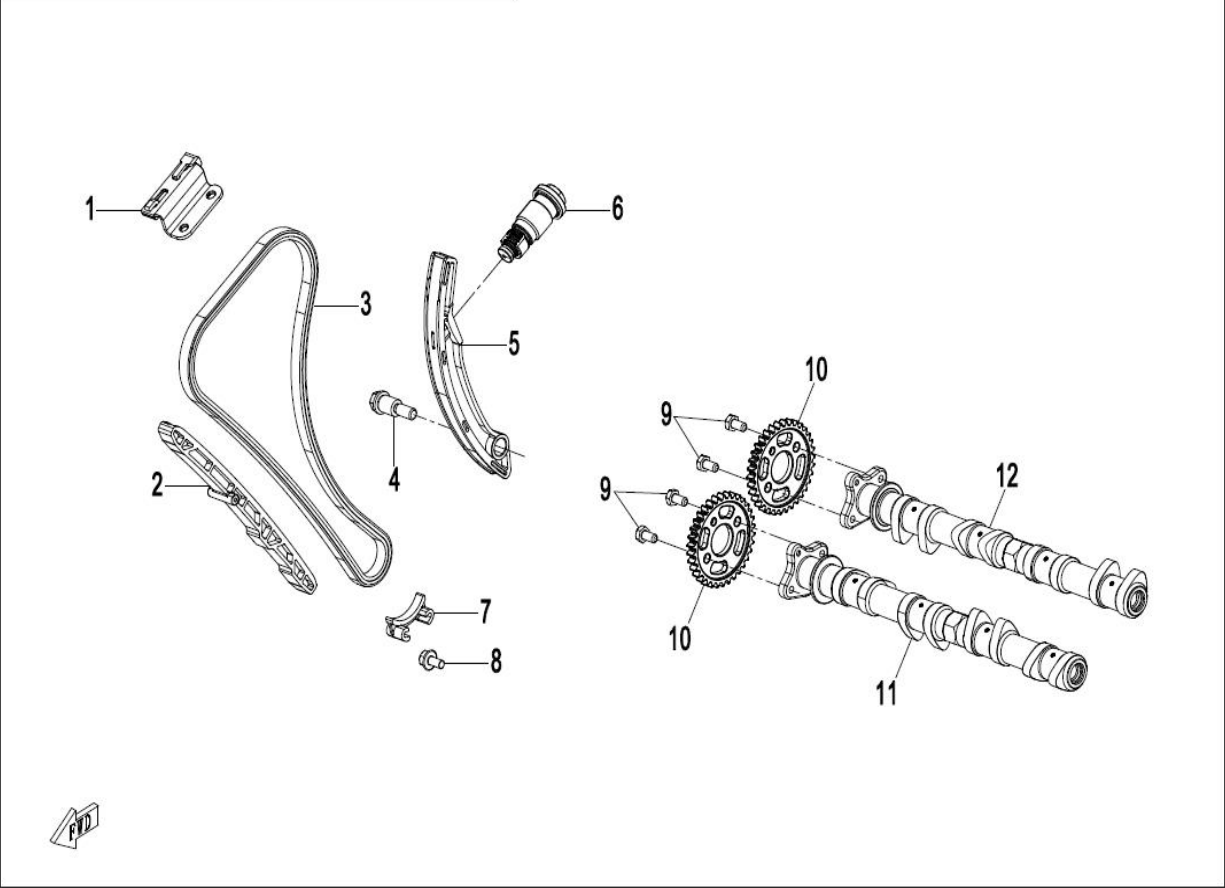
气缸体组/CYLINDER BODY



E02-4 CYLINDER BODY

Item No.	Parts Number	Parts Name(EN)	Qty	Specification
01	0010-021017-0010	BOLT M6x25	1	M6x25
02	30410-00800	ROLLER	2	
03	0WRV-023001-1000-0BP00	CYLINDER BODY	1	
04	0WRV-023002-1000	CYLINDER BODY GASKET	1	

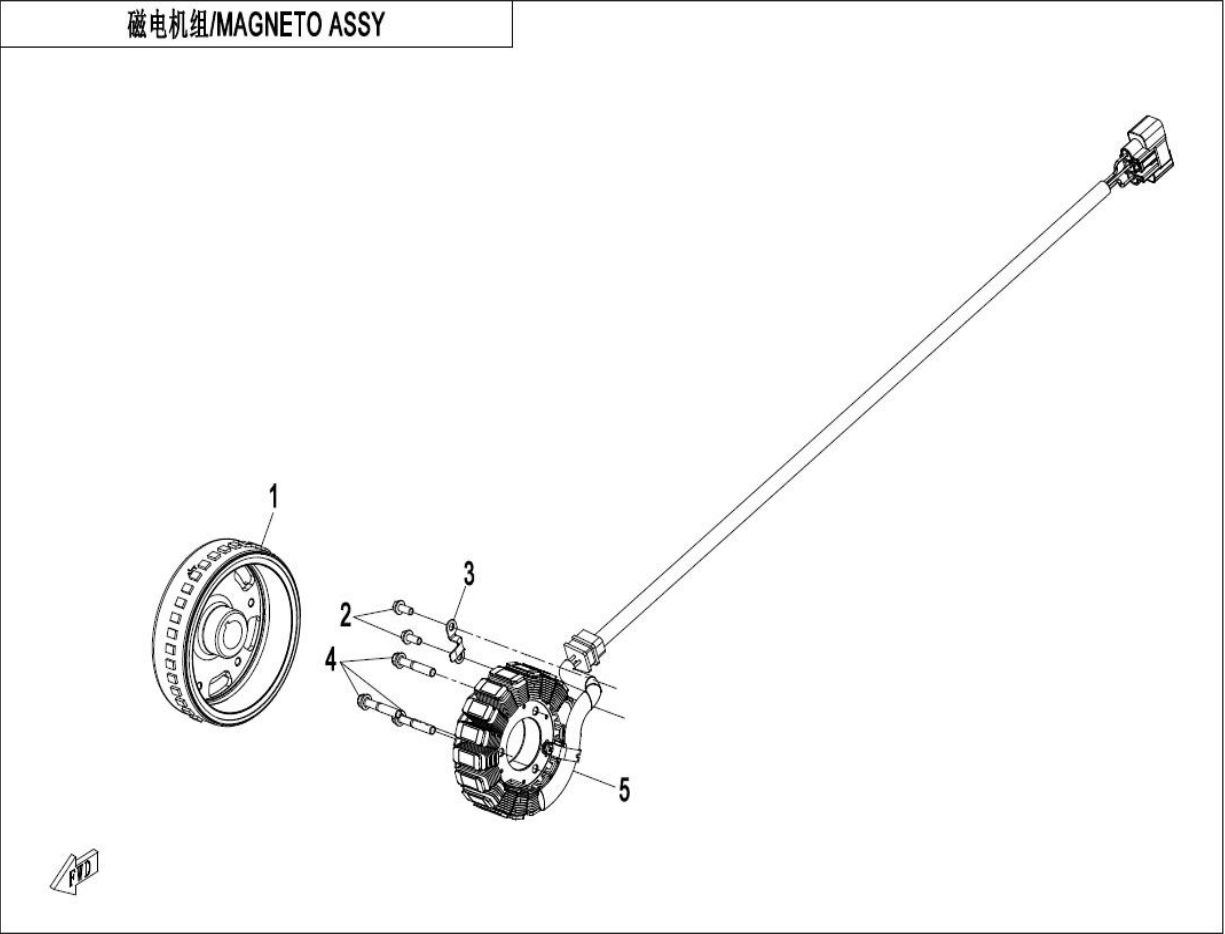
配气传动系统/CAMSHAFT ASSY



E02-5 CAMSHAFT ASSY

Item No.	Parts Number	Parts Name(EN)	Qty	Specification
01	0WRV-024500-1000	CHAIN PRESS PLATE	1	
02	0WMV-024003-1000	CHAIN GUIDE	1	
03	0WMV-024300-1000	TIMING CHAIN ASSY	1	
04	0700-024008-00001	PIN SHAFT	1	
05	0WMV-024002-1000	TENSION PLATE	1	
06	0WRV-024400-1000	TENSIONER ASSY	1	
07	0800-011007	CHAIN GUARD	1	
08	30006-060012810	BOLT	1	M6×12
09	30004-060012150	BOLT	4	
10	0WMV-024001-1000	TIMING DRIVEN SPROCKET	2	
11	0WRV-024200-1000	EXHAUST CAMSHAFT ASSY	1	
12	0WRV-024100-1000	INTAKE CAMSHAFT ASSY	1	

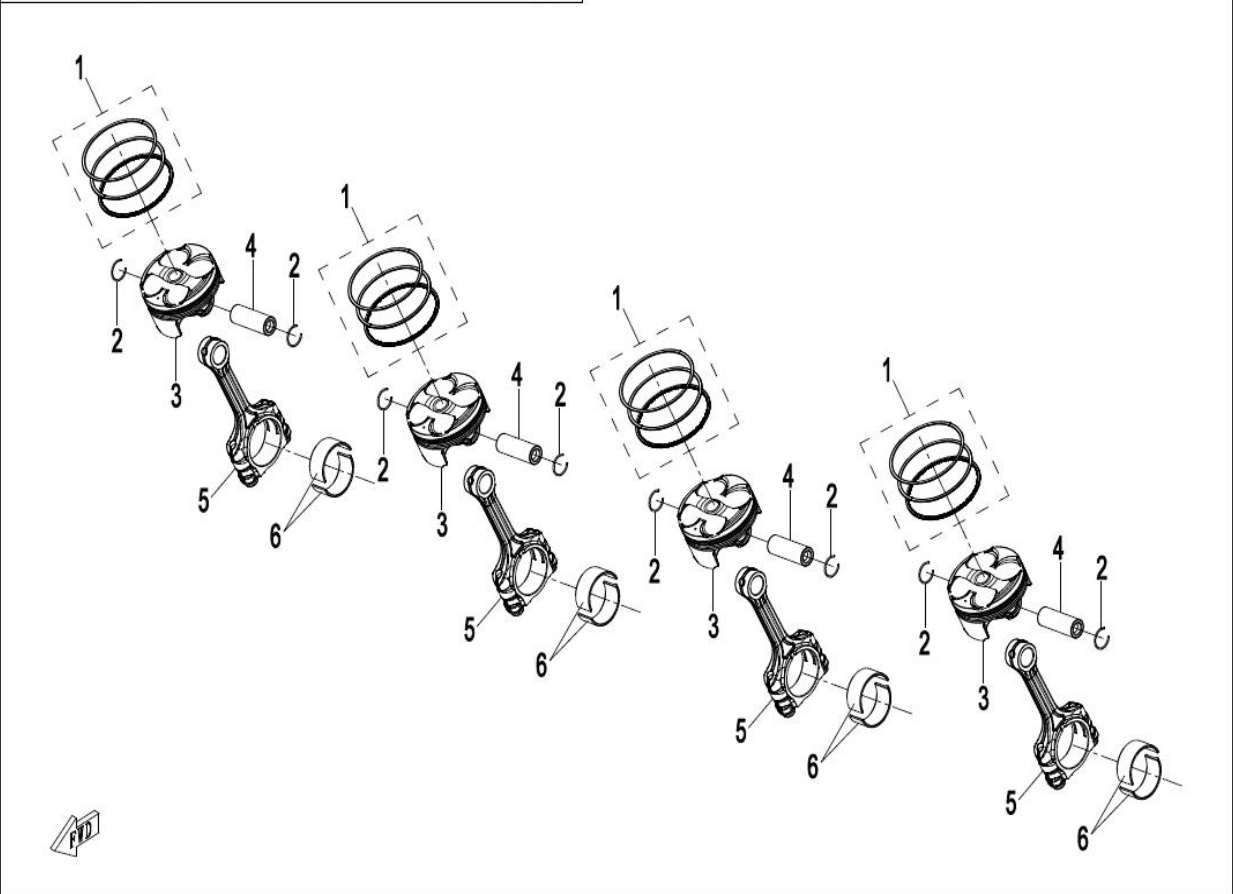
磁机组/MAGNETO ASSY



E03 MAGNETO ASSY

Item No.	Parts Number	Parts Name(EN)	Qty	Specification
01	0WRV-031000-1000	MAGNETO ROTOR ASSY	1	
02	0700-012013-00002	BOLT	2	
03	0WRV-030002-1000	WIRE PRESS PLATE	1	
04	0180-030001-00001	BOLT	3	M6x30
05	0WRV-032000-1000	MAGNETO STATOR ASSY	1	

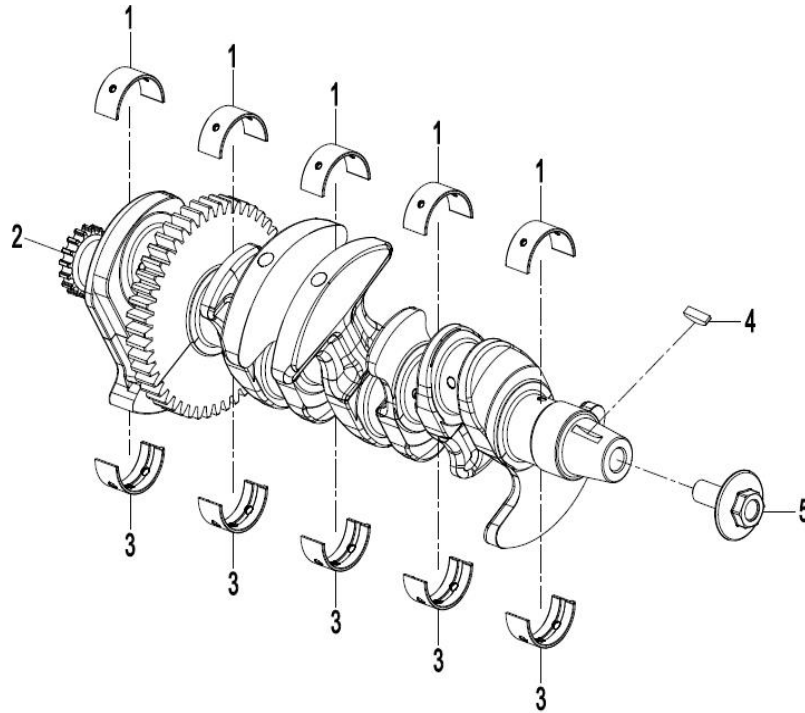
曲轴连杆组(1)/CRANKSHAFT & CONNECTING ROD(1)



E04-1 CRANKSHAFT &CONNECTING ROD 1

Item No.	Parts Number	Parts Name(EN)	Qty	Specification
01	0WMV-0421A0	PISTON RING ASSY	4	
02	0WMV-042106-1000	PISTON PIN CIRCLIP	8	
03	0WMV-042101-1000	PISTON	4	
04	0WMV-042105-1000	PISTON PIN	4	
05	0WMV-042200-1000-Q0-00001	CONNECTING ROD ASSY	4	MARK 1
05	0WMV-042200-1000-Q0-00002	CONNECTING ROD ASSY	4	MARK 2
05	0WMV-042200-1000-Q0-00003	CONNECTING ROD ASSY	4	MARK 3
06	0WMV-042300-1000-Q0-00002	CONNECTING ROD BEARING	8	BLACK
06	0WMV-042300-1000-Q0-00003	CONNECTING ROD BEARING	8	RED
06	0WMV-042300-1000-Q0-00004	CONNECTING ROD BEARING	8	YELLOW
06	0WMV-042300-1000-Q0-00005	CONNECTING ROD BEARING	8	GREEN
06	0WMV-042300-1000-Q0-00001	CONNECTING ROD BEARING	8	BLUE

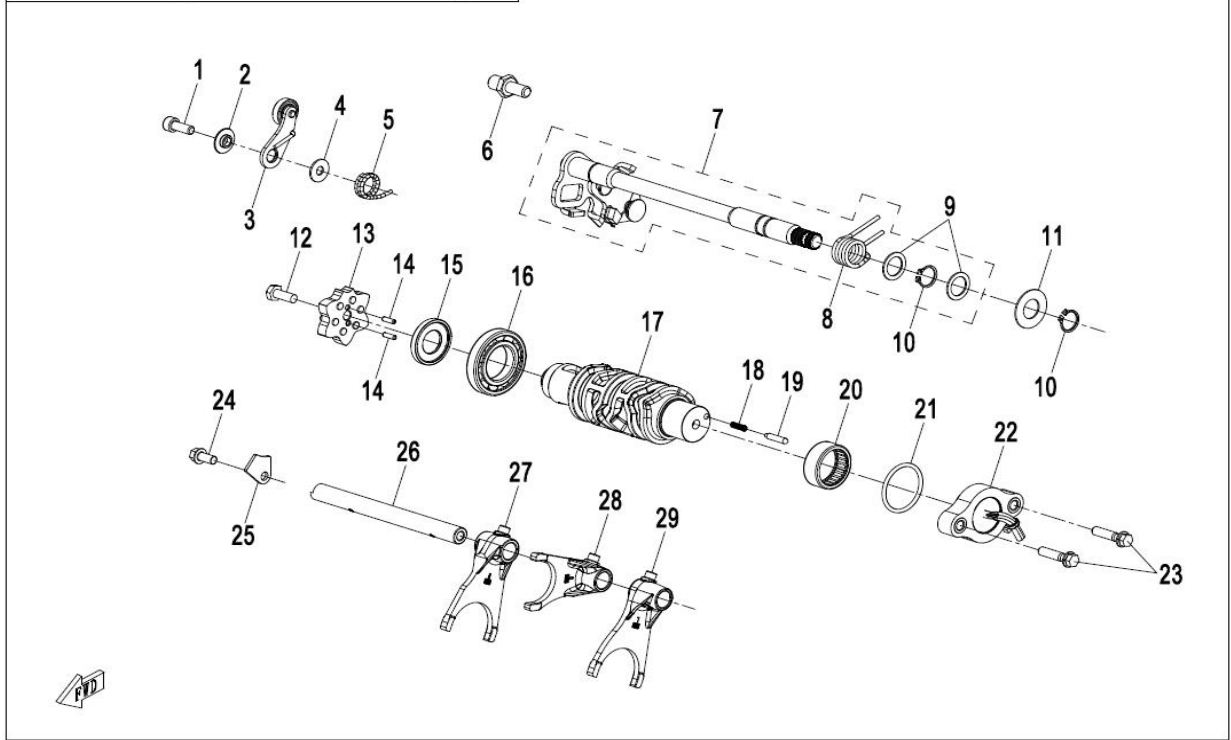
曲轴连杆组(2)/CRANKSHAFT & CONNECTING ROD(2)



E04-2 CRANKSHAFT &CONNECTING ROD 2

Item No.	Parts Number	Parts Name(EN)	Qty	Specification
01	0WMV-041300-1000-Q0-00001	UPPER MAIN BEARING	5	BLUE
01	0WMV-041300-1000-Q0-00002	UPPER MAIN BEARING	5	BLACK
01	0WMV-041300-1000-Q0-00003	UPPER MAIN BEARING	5	RED
01	0WMV-041300-1000-Q0-00004	UPPER MAIN BEARING	5	YELLOW
01	0WMV-041300-1000-Q0-00005	UPPER MAIN BEARING	5	GREEN
02	0WRV-041100-1000-Q0-00001	CRANKSHAFT ASSY	1	MARK A
02	0WRV-041100-1000-Q0-00002	CRANKSHAFT ASSY	1	MARK B
03	0WMV-041200-1000-Q0-00001	LOWER MAIN BEARING	5	BLUE
03	0WMV-041200-1000-Q0-00002	LOWER MAIN BEARING	5	BLACK
03	0WMV-041200-1000-Q0-00003	LOWER MAIN BEARING	5	RED
03	0WMV-041200-1000-Q0-00004	LOWER MAIN BEARING	5	YELLOW
03	0WMV-041200-1000-Q0-00005	LOWER MAIN BEARING	5	GREEN
04	0010-040006	WOODRUFF KEY	1	
05	0WMV-041400-1000	BOLT	1	

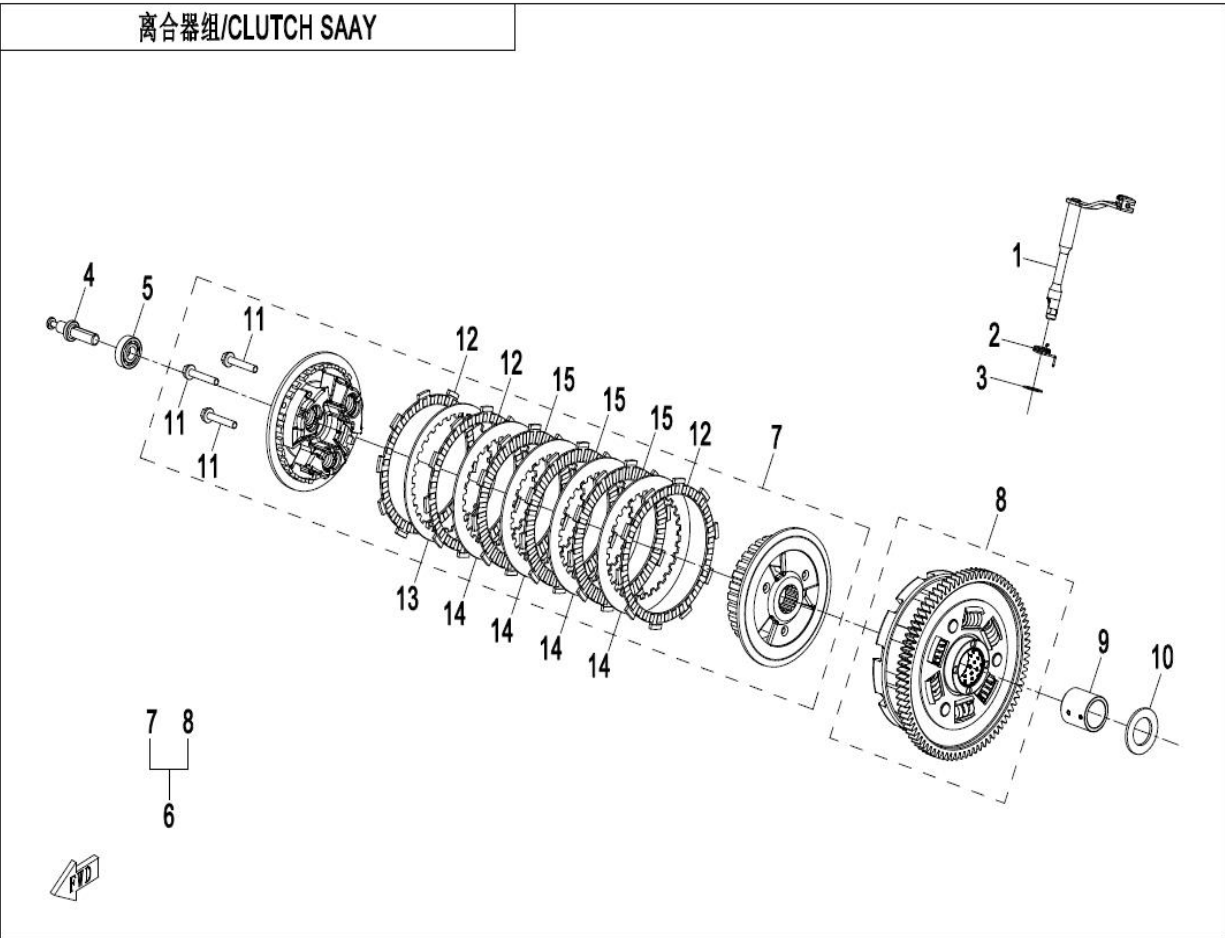
换挡变速系统(1)/TRANSMISSION SYSTEM(1)



E06-1 TRANSMISSION SYSTEM(1)

Item No.	Parts Number	Parts Name(EN)	Qty	Specification
01	30102-060016810	SCREW	1	M6×16
02	0700-064003-00001	GEARSHIFT SWING ARM SLEEVE	1	
03	0WRV-065100-1000	GEARSHIFT SWING ARM SUB ASSY	1	
04	0700-064001	WASHER	1	6.3x16.3x1.2
05	0WRV-065001-1000	GEARSHIFT SWING ARM SPRING	1	
06	ODM0-063002-00001	SHIFT POSITION SPRING PIN	1	
07	0WRV-063000-1000	GEARSHIFT LEVER ASSY	1	
08	ODM0-063001-00001	RETURN SPRING, GEARSHIFT	1	
09	ODM0-063003-00001	WASHER	2	
10	30801-01405	CIRCLIPS FOR SHAFT	2	14
11	0SQV-060013-1000	WASHER	1	14x28x1
12	30004-060016110	BOLT M6x16	1	M6x16
13	0SQV-064100-1002	GEARSHIFT DRUM CAM ASSY	1	
14	30406-00303	NEEDLE BEARING	2	
15	0HTV-064002-7000	SHIFT DRUM BUSHING	1	
16	30400-02505	BEARING	1	
17	0WRV-064001-1000	SHIFT DRUM	1	
18	0700-063007-00001	CONTACT SPRING	1	
19	0700-063008	BALL CONTACTOR	1	
20	0SQV-011106-4000	NEEDLE BEARING	1	
21	0SQV-060012-1000	O-RING	1	31x2.5
22	0SQV-060400-1001	GEAR SENSOR ASSY	1	
23	0010-021017-0010	BOLT M6x25	2	M6x25
24	0010-021019-0010	BOLT M6x12	1	M6x12
25	0WRV-060006-1000	FORK SHAFT RETAINER	1	
26	0HTV-060100-7000	FORK SHAFT ASSY	1	
27	0WRV-060002-1000	RH GEARSHIFT FORK	1	
28	0WRV-060003-1000	SHIFT FORK(MIDDLE)	1	
29	0WRV-060001-1000	LH GEARSHIFT FORK	1	

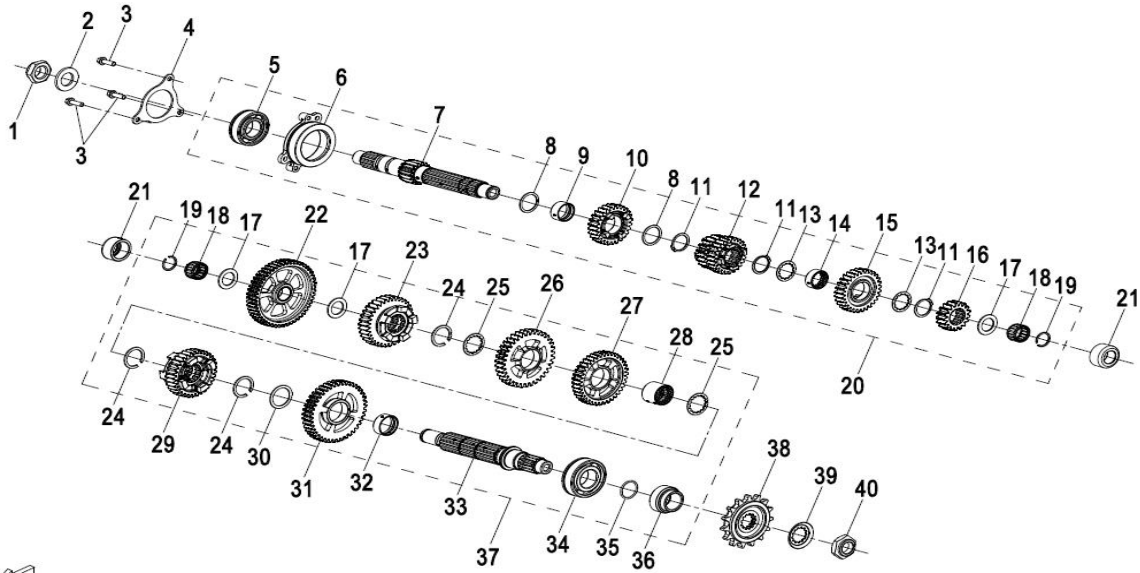
离合器组/CLUTCH SAAY



E05 CLUTCH ASSY

Item No.	Parts Number	Parts Name(EN)	Qty	Specification
01	0WRV-050100-1000	CLUTCH CONTROL SHAFT ASSY	1	
02	0700-013006-00001	RETURN SPRING, CLUTCH CONTROL LEVER	1	
03	0700-013007	WASHER	1	12.5x18.5x0.6
04	0SQV-050004-1001	ROD	1	
05	30400-01207	ROLLER BEARING	1	
06	0WRV-051000-1000-Q1-00001	CLUTCH SUB ASSY	1	MARK A
06	0WRV-051000-1000-Q1-00002	CLUTCH SUB ASSY	1	MARK B
06	0WRV-051000-1001-Q1-00002	CLUTCH SUB ASSY	1	MARK B
06	0WRV-051000-1001-Q1-00001	CLUTCH SUB ASSY	1	MARK A
07	0WRV-051000-1000-20	CENTER SLEEVE ASSY	1	
07	0WRV-051200-1000	CENTRAL SLEEVE	1	
08	0WRV-051100-1000-10	PRIMARY DRIVEN GEAR ASSY	1	
09	0WRV-050002-1000	CLUTCH SHAFT SLEEVE	1	
10	0WMV-050001-1000	WASHER	1	25.2x41.5x2.5
11	0SQV-051208-1000	BOLT M6x35	3	
12	0DMB-051220	FRICTION DISC 2	3	
13	0DMB-051205	DRIVEN DISC 1	1	
14	0DMB-051207	DRIVEN DISC 2	4	
15	0WRV-051201-1000	FRICTION DISC ASSY 1	3	

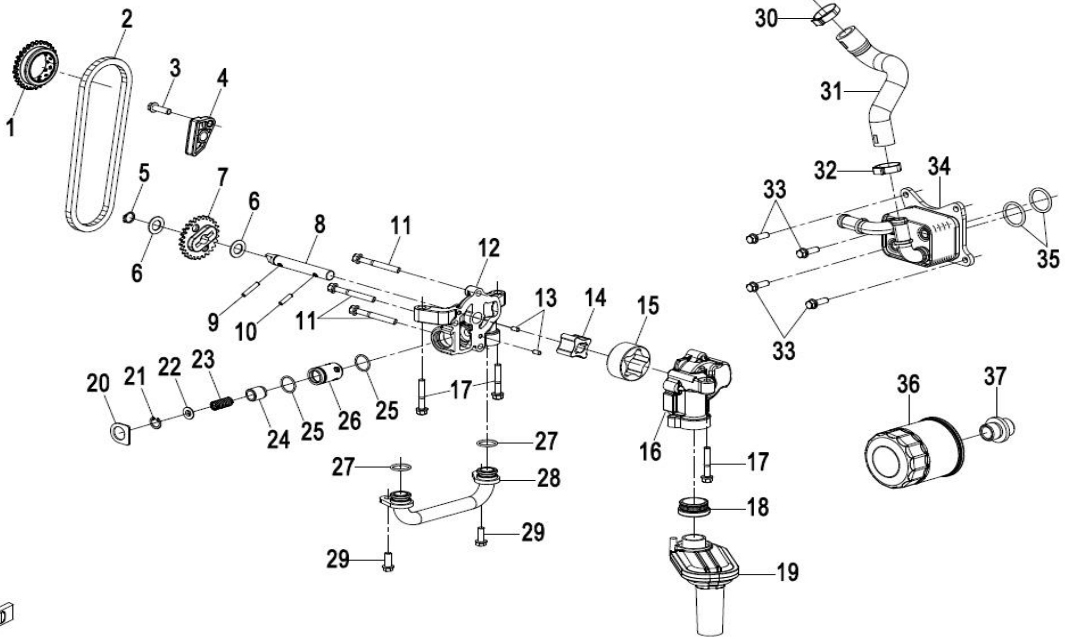
换挡变速系统(2)/TRANSMISSION SYSTEM(2)



E06-2 TRANSMISSION SYSTEM(2)

Item No.	Parts Number	Parts Name(EN)	Qty	Specification
01	0700-061002-00002	NUT	1	
02	0700-061003	CIRCLIP 20	1	20
03	0010-023008-00001	BOLT	3	
04	0WRV-060005-1000	BEARING SEAT RETAINER	1	
05	0SQV-061012-1000-10	MAIN SHAFT BEARING	1	
06	0WRV-061010-1000	BEARING SEAT	1	
07	0WRV-061001-1000	MAIN SHAFT	1	
08	0SQV-061008-1000	WASHER	2	25.2x31x1
09	0SQV-061011-1000	BUSHING	1	25x28x12
10	0WRV-061009-1000	MAIN SHAFT 5TH GEAR	1	
11	ODMO-062017	CIRCLIPS FOR SHAFT 25	3	
12	0WRV-061007-1000	MAIN SHAFT 3,4TH GEAR	1	
13	ODMO-062016	SPLINE WASHER 25x31x1	2	
14	ODMO-062015	SPLINE SLEEVE 25x10	1	
15	0WRV-061005-1000	MAIN SHAFT 6TH GEAR	1	
16	0WRV-061003-1000	MAIN SHAFT 2TH GEAR	1	
17	0SQV-061002-1000	WASHER	3	20.2x31x1.5
18	30499-02004	NEEDLE BEARING	1	KMJ20x26x13.8x1S
19	0700-061016	CIRCLIPS FOR SHAFT 20	2	20
20	0WRV-061000-1000	MAIN SHAFT ASSY	1	
21	0SQV-060011-1000	BEARING SLEEVE	2	
22	0WRV-062100-1000	COUNTERSHAFT 1ST GEAR ASSY	1	
23	0WRV-062013-1000	COUNTERSHAFT 5TH GEAR	1	
24	1F30-061004	RETAINER	3	25.5
25	0HTV-062008-7000	SPLINE WASHER	2	
26	0WRV-062012-1000	COUNTERSHAFT 3ND GEAR	1	
27	0WRV-062009-1000	COUNTERSHAFT 4TH GEAR	1	
28	0WRV-062011-1000	SPLINE SLEEVE	1	
29	0WRV-062007-1000	COUNTERSHAFT 6TH GEAR	1	
30	0SQV-062006-1000	WASHER	1	28.2x36x1
31	0WRV-062004-1000	COUNTERSHAFT 2ND GEAR	1	
32	0SQV-062005-1000	SHAFT SLEEVE	1	28x10.5
33	0WRV-062001-1000	COUNTERSHAFT	1	
34	0SQV-062003-1000-10	COUNTERSHAFT BEARING	1	
35	0800-062205	O-RING	1	25x2
36	0SQV-062002-1002	COUNTERSHAFT BUSHING	1	
37	0WRV-062000-1000	COUNTERSHAFT ASSY	1	
38	0700-062030	SPROCKET, OUTPUT	1	
39	0700-062015	WASHER	1	
40	0SQV-060014-1001	NUT M20x1.5	1	

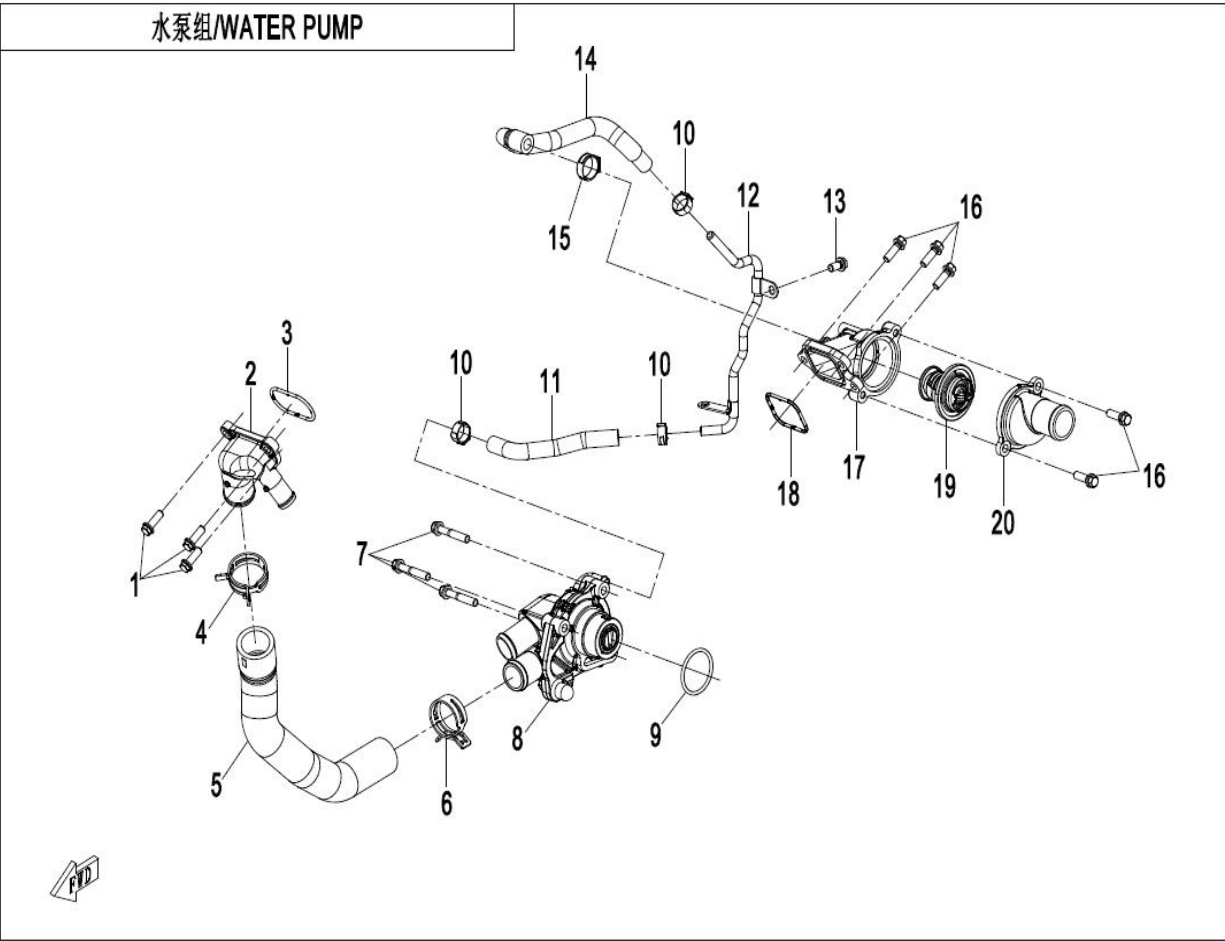
润滑系统/LUBRICATION SYSTEM



E07 LUBRICATION SYSTEM

Item No.	Parts Number	Parts Name(EN)	Qty	Specification
01	OWRV-074300-1000	OIL PUMP DRIVE SPROCKET ASSY	1	
02	OWRV-074100-1000	OIL PUMP CHAIN	1	
03	0010-023010-0010	BOLT M6x20	1	M6x20
04	OWRV-074200-1000	OIL PUMP CHAIN GUIDE	1	
05	30801-01100	CIRCLIPS FOR SHAFT 11	1	11
06	OSQV-071003-1000	WASHER	2	11x20x1
07	OWRV-074400-1000	OIL PUMP DRIVEN SPROCKET	1	
08	OWRV-071002-1000	OIL PUMP SHAFT	1	
09	30406-00402	ROLLER NEEDLE P4x21.8	1	P4x21.8
10	30406-00400	ROLLER NEEDLE P4x15.8	1	P4x15.8
11	0010-013008-0010	BOLT M6x35	3	M6x35
12	OWRV-071001-1000	OIL PUMP COVER	1	
13	30406-00401	ROLLER NEEDLE P4x7.8	2	P4x7.8
14	OWRV-071004-1000	OIL PUMP INNER ROTOR	1	
15	OWRV-071003-1000	OIL PUMP OUTER ROTOR	1	
16	OWRV-071005-1000	OIL PUMP HOUSING	1	
17	0010-060012-0010	BOLT M6x30	3	M6x30
18	0700-070101-00001	GASKET, OIL SUCTION PAN	1	
19	OSQV-073100-1000	FILTER	1	
20	OWRV-071006-1000	PRESSURE RELIEF VALVE RETAINER	1	
21	30800-01405	CIRCLIP FOR HOLE	1	14A
22	0800-073004	SPRING SEAT, RELIEF VALVE	1	
23	0700-012603-1000	SPRING, RELIEF VALVE	1	
24	0800-073003	CORE, RELIEF VALVE	1	
25	OWRV-071102-1000	O-RING	2	16.4x1.5
26	OWRV-071101-1000	PRESSURE RELIEF VALVE BODY	1	
27	ORVV-160007-1000	O-RING	2	15.5x2
28	OWRV-070100-1000	OUTLET PIPE ASSY	1	
29	0010-090005-0010	BOLT M6x16	2	M6x16
30	ORVV-072003-1000	CLAMP	1	
31	OWRV-072001-1000	OIL COOLER INLET HOSE	1	
32	OSQV-028002-1000-M1	CLAMP	1	Dia 22.5
33	0010-023008-00001	BOLT	4	
34	OWRV-072100-1000	OIL COOLER ASSY	1	
35	0HTV-072003-7000	O-RING	2	23.5x2.65
36	0700-070200-10001	OIL FILTER ASSY	1	
36	0700-070200-00001	OIL FILTER ASSY	1	
37	0700-012106-00002	OIL FILTER BOLT	1	

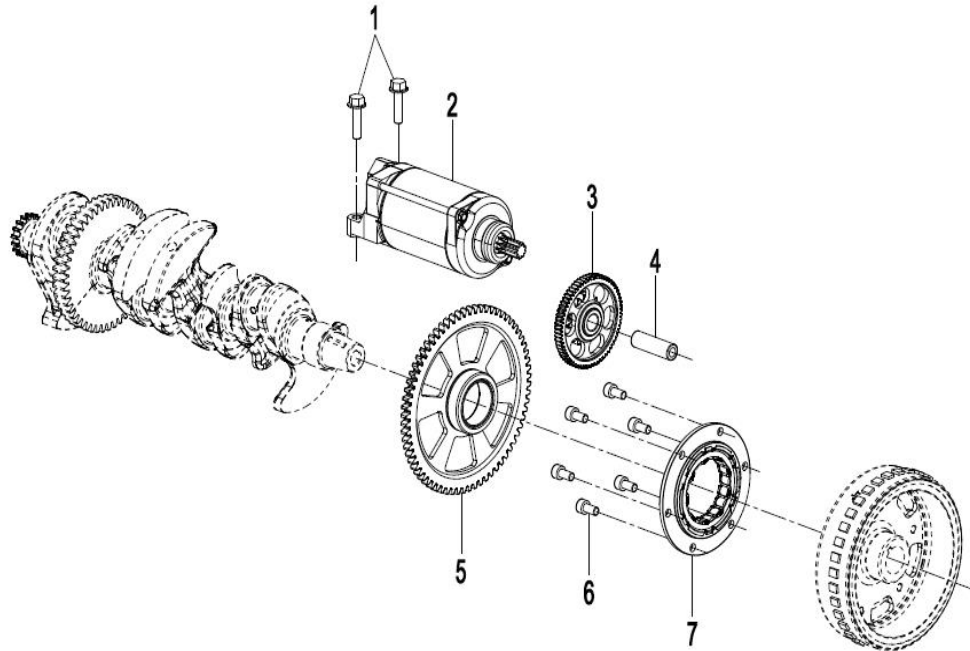
水泵组/WATER PUMP



E08 WATER PUMP

Item No.	Parts Number	Parts Name(EN)	Qty	Specification
01	0010-023010-0010	BOLT M6x20	3	M6x20
02	0WRV-080002-1000-0BP00	ENGINE INLET CAP	1	MAUD SPIRIT BLACK
03	0WRV-080003-1000	INLET CAP SEAL RING	1	
04	30605-134060	CLAMP	1	
05	0WRV-080001-1000	ENGINE INLET PIPE	1	
06	30605-132060	CLAMP	1	
07	0010-013008-0010	BOLT M6x35	3	M6x35
08	0WRV-081000-1000-0BP00	WATER PUMP ASSY	1	MAUD SPIRIT BLACK
09	0SQV-080002-1000	O-RING 33x2.65	1	
10	0RVV-080008-1000	CLAMP	3	
11	0WRV-080004-1000	MINOR CYCLE CONNECTING HOSE 2	1	
12	0WRV-080100-1000	MINOR CYCLE HOSE MIDDLE PART	1	
13	0010-021019-0010	BOLT M6x12	1	M6x12
14	0WRV-080005-1000	MINOR CYCLE CONNECTING HOSE 1	1	
15	0RVV-080007-1000	CLAMP	1	
16	0010-023008-00001	BOLT	5	
17	0WRV-022007-1000-0BP00	THERMOSTAT SEAT	1	MAUD SPIRIT BLACK
18	0WRV-022008-1000	THERMOSTAT SEAT SEAL RING	1	
19	0WRV-022300-1000	THERMOSTAT ASSY	1	
20	0WRV-022009-1000-0BP00	THERMOSTAT SEAT	1	MAUD SPIRIT BLACK

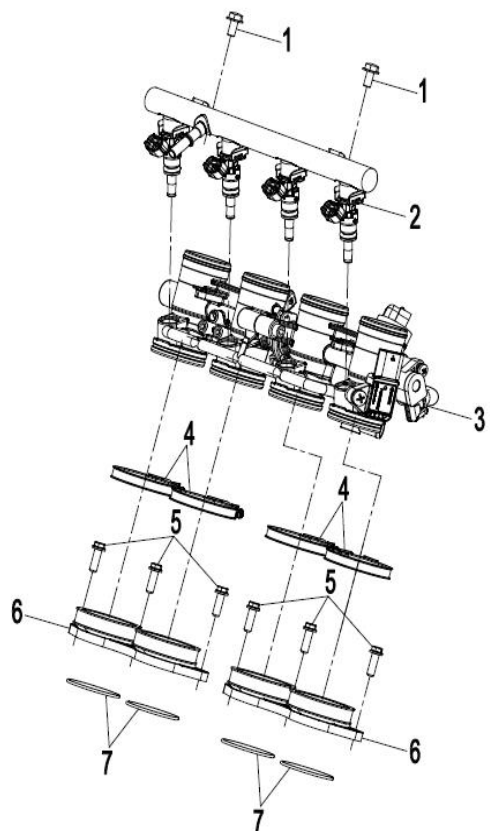
起动系统/STARTING SYSTEM



E09 STARTING SYSTEM

Item No.	Parts Number	Parts Name(EN)	Qty	Specification
01	0010-021017-0010	BOLT M6x25	2	M6x25
02	0HTV-093000-7000	STARTER MOTOR ASSY	1	
03	ORVV-093000-1000	DUAL GEAR ASSY	1	
04	0700-090003	SHAFT, MIDDLE GEAR	1	
05	ORVV-092000-1000	STARTER BIG GEAR ASSY	1	
06	30102-060012810	SCREW	6	M6x12
07	ORVV-091000-1000	ISOLATOR SEAT	1	

节气门体和喷油器/THROTTLE & INJECTOR



E17 THROTTLE & INJECTOR

Item No.	Parts Number	Parts Name(EN)	Qty	Specification
01	0010-021019-0010	BOLT M6x12	2	M6x12
02	0WRV-171000-1000	FUEL PIPE ASSY	1	
03	0WRV-173000-1000	THROTTLE BODY ASSY	1	
04	0JYA-025010	CLAMP 54	4	
05	0010-023010-0010	BOLT M6x20	6	M6x20
06	0WMV-022400-1000	THROTTLE BODY CONNECTING PIPE ASSY	2	
07	0WMV-022402-1000	SEAL RING	4	