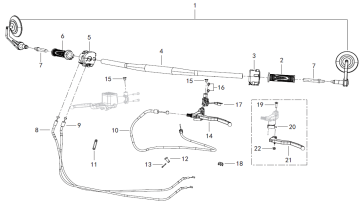
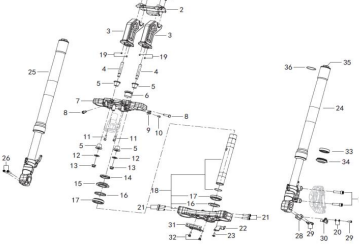
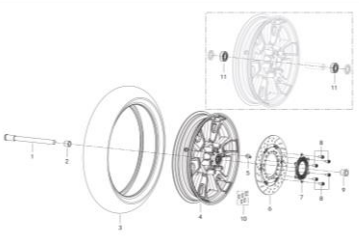
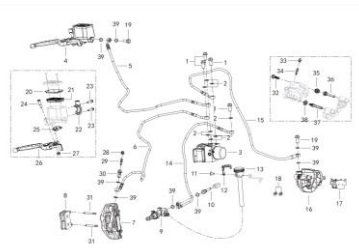
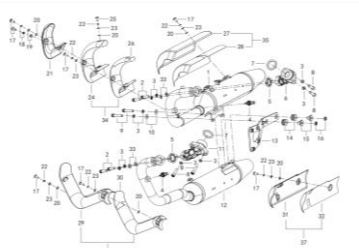
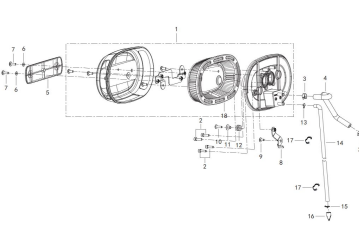
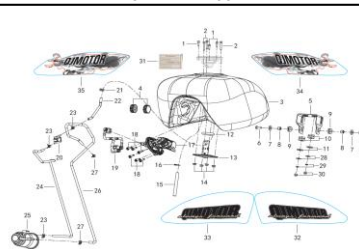
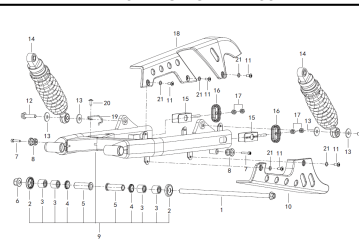
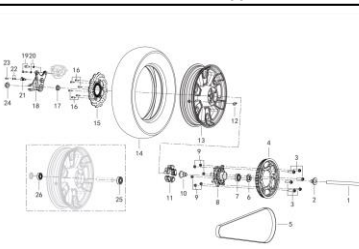
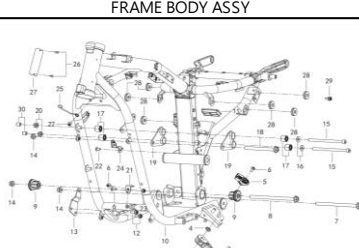
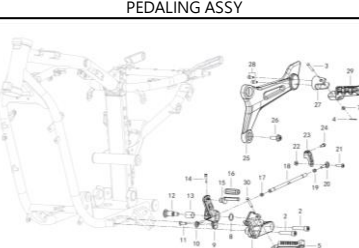
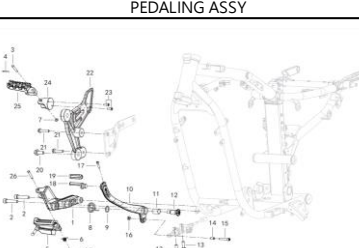
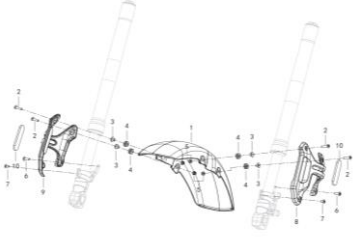
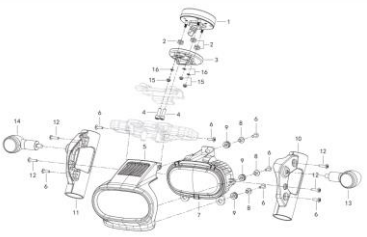
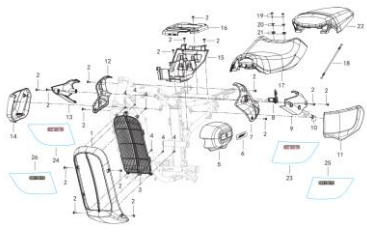
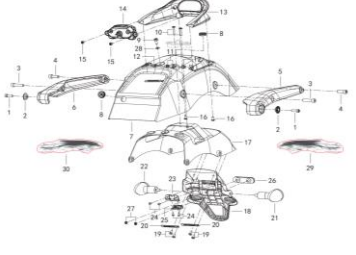
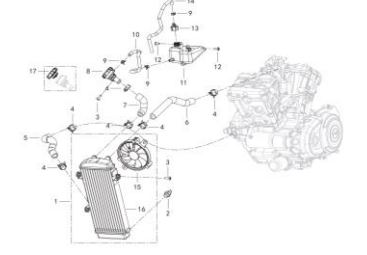
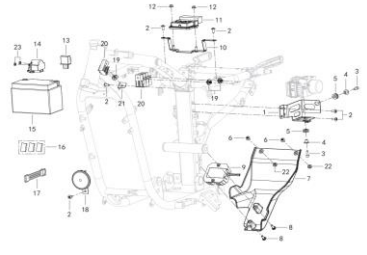
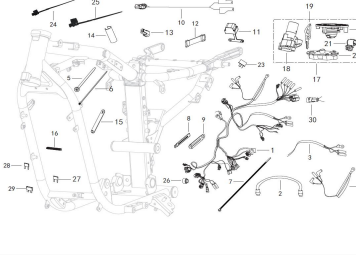
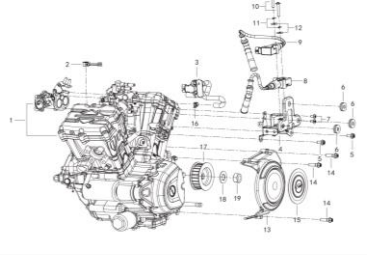
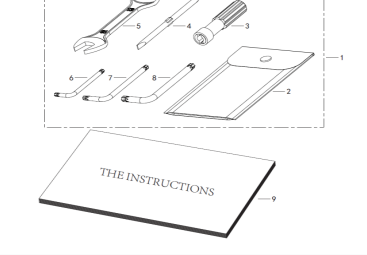


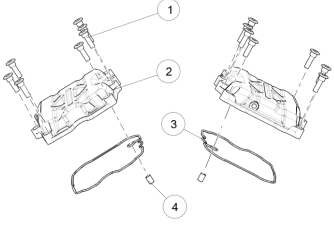
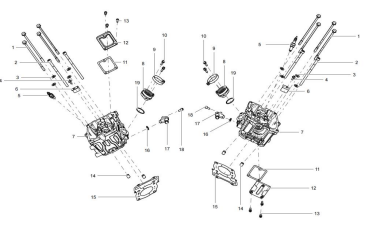
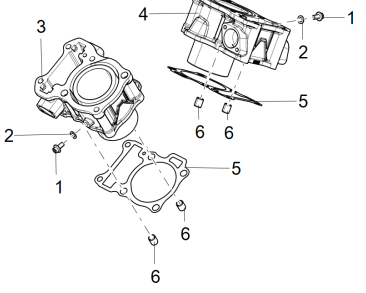
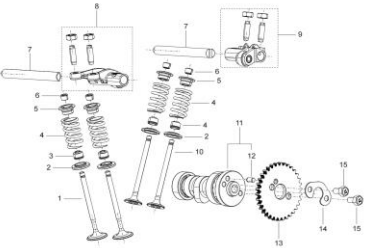
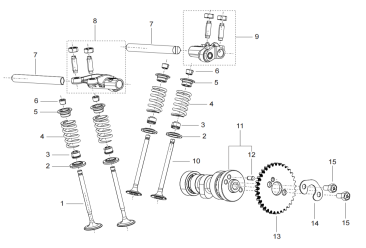
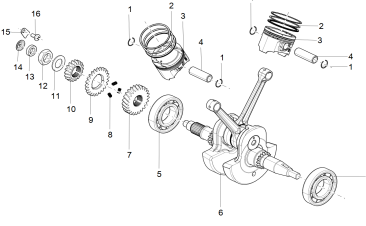
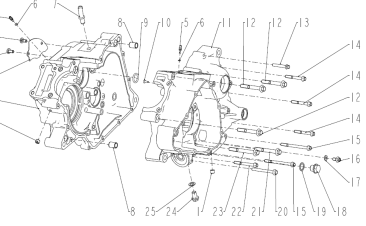
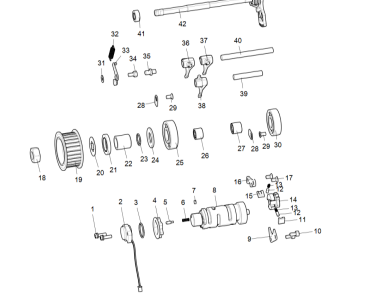
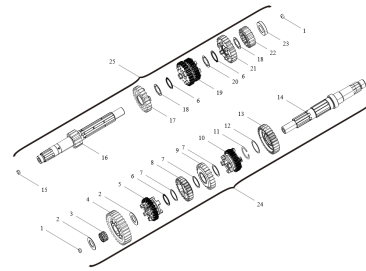
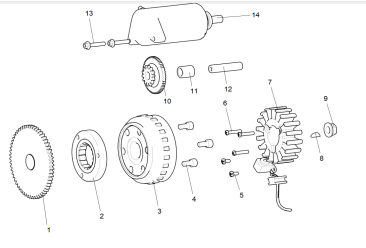
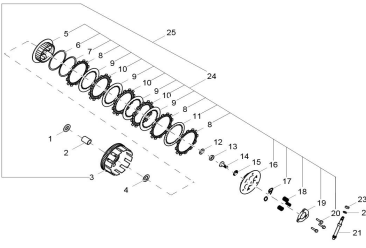
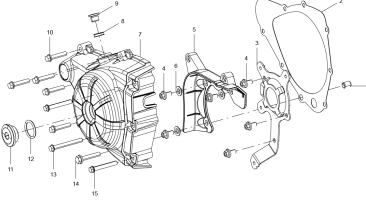
CONTENTS—FRAME GROUP

F01 HANDLE BAR 	F02 STEERING STEM 	F03 FRONT WHEEL ASSY 
F04 BRAKE SYSTEM 	F05 MUFFLER 	F06 AIR FILTER 
F07 FUEL TANK ASSY 	F08 REAR SWINGING ARM ASSY 	F09 REAR WHEEL ASSY 
F10 FRAME BODY ASSY 	F11 PEDALING ASSY 	F12 PEDALING ASSY 

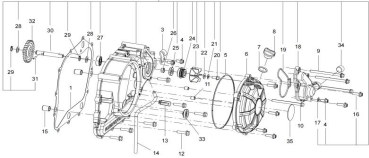
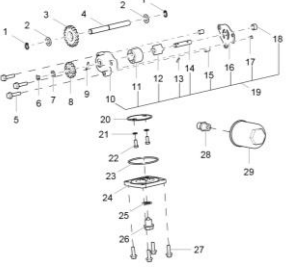
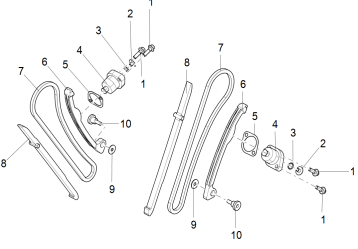
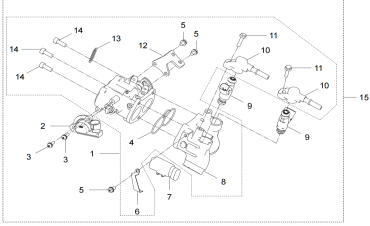
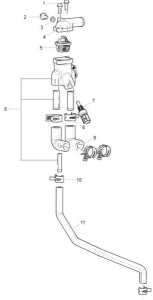
CONTENTS—FRAME GROUP

F13 FRONT FENDER ASSY	F14 LIGHT & SPEEDOMETER ASSY	F15 SIDE COVER ASSY
		
F16 REAR FENDER ASSY	F17 COOLING SYSTEM ASSY	F18 ELECTRICAL EQUIPMENT ASSY
		
F19 ELECTRICAL EQUIPMENT ASSY II	F20 ENGINE ATTACHMENT ASSY	F21 TOOL KIT ASSY
		
F22	F22	F23

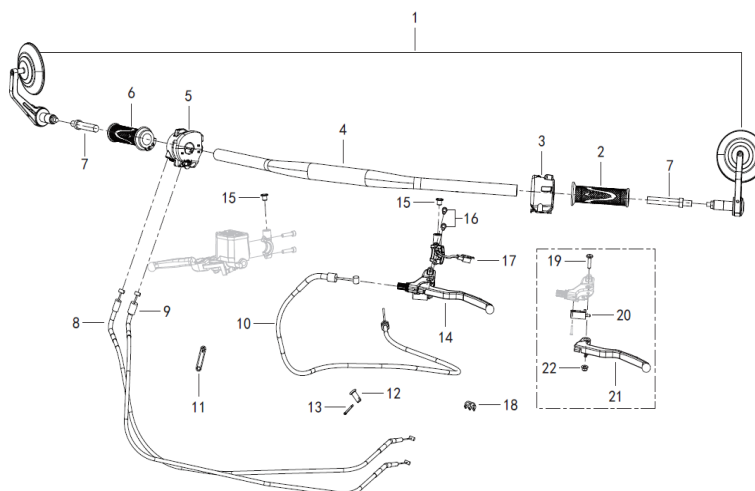
CONTENTS—ENGINE GROUP

<p>E01 CYLINDER COVER ASSEMBLY</p> 	<p>E02 CYLINDER HEAD</p> 	<p>E03 CYLINDER ASSY</p> 
<p>E04 FRONT VALVE MECHANISM SUB-ASSEMBLY</p> 	<p>E05 BACK VALVE MECHANISM SUB-ASSEMBLY</p> 	<p>E06 PISTON, CONNECTING ROD & CRANKSHAFT ASSY</p> 
<p>E07 CRANKCASE ASSY</p> 	<p>E08 GEAR SHIFT MECHANISM ASSEMBLY</p> 	<p>E09 MAIN AND AUXILIARY SHAFT ASSEMBLY</p> 
<p>E10 ELECTRIC STARTER ASSY</p> 	<p>E11 CLUTCH SYSTEM</p> 	<p>E12 LEFT COVER ASSY</p> 

CONTENTS—ENGINE GROUP

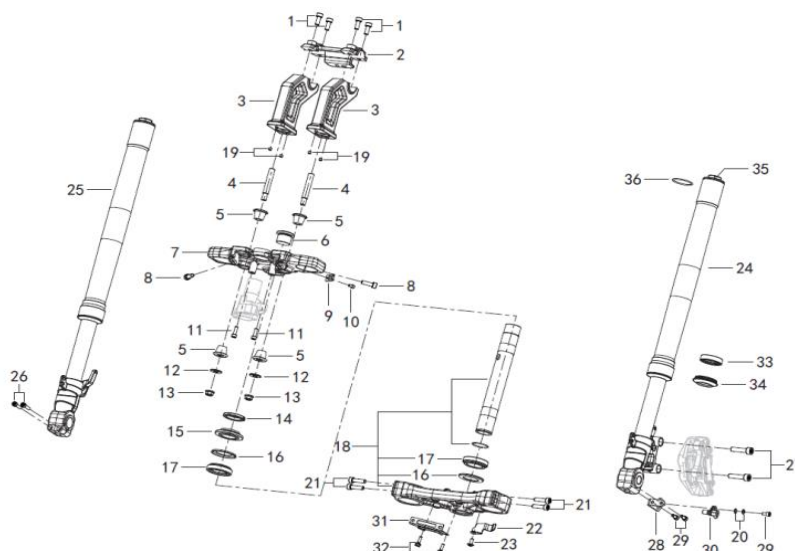
E13 RIGHT COVER ASSY	E14 OIL PUP SYSTEM	E15 TIMING TENSIONING MECHANISM SYSTEM
		
E16 THROTTLE BODY SYSTEM	E17 THERMOSTAT ASSY	
		

F01 CONTROL ASSY.



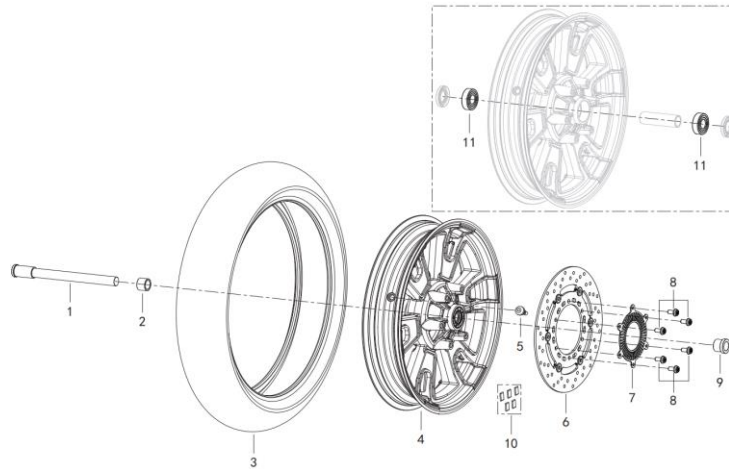
NO.	CODE	EN DESCRIPTION	Qty/Unit
1	40440PBP0001	REAR VIEW MIRROR COMBINATION	1
2	40001K740000	LEFT HAND HANDLE SLEEVE	1
3	40500N490002	LEFT COMBINATION SWITCH	1
4	40101PBD0100	STEERING HANDLE	1
5	40600N490001	RIGHT COMBINATION SWITCH	1
6	40210P280000	RIGHT GRIP ASSEMBLY	1
7	40031S010000	BALANCE WEIGHT	2
8	40300P160003	ACCELERATOR LINE ASSEMBLY I	1
9	40330P160003	ACCELERATOR LINE ASSEMBLY II	1
10	40400P060002	LINE AS-CLUTCH	1
11	96003P250000	CORD CLAMP	4
12	B090406014AH	PIN SHAFT $\Phi 6 \times 14$	1
13	B090002018AH	SPLIT PIN $\Phi 2 \times 18$	1
14	40080P250000	HANDLE AS-LEFT	1
15	40012P130000	REAR VIEW MIRROR RUBBER PLUG	2
16	B02810602562	SCREW M6 \times 25	2
18	43035J040000	ODOMETER CLAMP	1
19	40083P250000	LEFT HANDLE BASE SCREW	1
20	91090P250000	CLUTCH SWITCH ASSEMBLY	1
21	40084P250001	CLUTCH HANDLE	1
22	B04170600055	SELF LOCKING NUT M6	1
23	40450PBP0001	LEFT REARVIEW MIRROR ASSEMBLY	1
24	40480PBP0001	RIGHT REARVIEW MIRROR ASSEMBLY	1

F02 FORK ASSY.



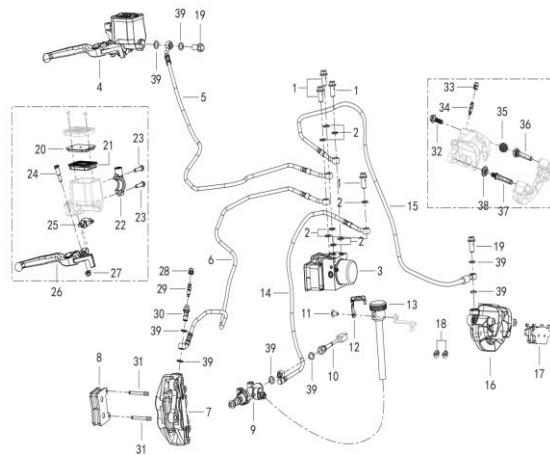
NO.	CODE	EN DESCRIPTION	Qty/Unit
1	B0226080256K	HEXAGON SOCKET HEAD CAP SCREW M8×25	4
2	43014PBD0000	STEERING HANDLE UPPER SEAT	1
3	43013PBD0000	LOWER SEAT OF STEERING HANDLE	2
4	40086P010102	HANDLE POSITIONING STUD	2
5	47015P010100	SILENCING PLUG	4
6	43049P250000	UPPER CONNECTING PLATE FASTENING SCREW	1
7	43011PBD0001	UPPER CONNECTING PLATE	1
8	08001P32000J	HEXAGON SOCKET HEAD CAP SCREW M8×25	2
9	43021P540000	INSTRUMENT CLAMP	1
10	B0226040106S	HEXAGON SOCKET HEAD CAP SCREW M4×10	1
11	08002P32003J	HEXAGON SOCKET PAN HEAD SCREW M6×20	2
12	40089P010100	HANDLE POSITIONING GASKET	2
13	B04821012552	SELF LOCKING NUT M10×1.25	2
14	43008S010010	FASTENING NUT OF UPPER CONNECTING PLATE	1
15	43009P260000	COMPRESSION NUT	1
16	43005S010000	DUST RING	2
17	43130S010000	STEERING BEARING	2
18	43100PBD000Z	LOWER YOKE PLATE ASSEMBLY	1
19	43016PBD0000	STEERING HANDLE LOWER CUSHION	4
20	43283P100010	SHIM	2
21	08002P56000J	HEXAGON SOCKET HEAD CAP SCREW M8×30	4
22	43035P420000	HYDRAULIC BRAKE PIPE CLAMP	1
23	08002P620002	HEXAGON SOCKET FLANGE SCREW M6×14	1
24	43200PBD0001	FRONT LEFT SHOCK ABSORBER ASSEMBLY	1
25	43300PBD0001	FRONT RIGHT SHOCK ABSORBER ASSEMBLY	1
26	B02810603062	BOLT M6×30	2
27	08001P56000J	HEXAGON SOCKET HEAD CAP SCREW M10×1.25×40	2
28	45094P100000	ABS CONNECTION BLOCK	1
29	B0226060126S	HEXAGON SOCKET HEAD CAP SCREW M6×12	3
30	55710N490000	REAR WHEEL SPEED SENSOR	1
32	B0226060166S	BOLTM6×16	2
33	43260K990000	OIL SEAL	2
34	43290N100000	DUST RING ASSEMBLY	2
35	43204J300202	BOLT	2
36	B190103350B0	O-RING 33.5×2.65	2

F03 FRONT WHEEL ASSY.



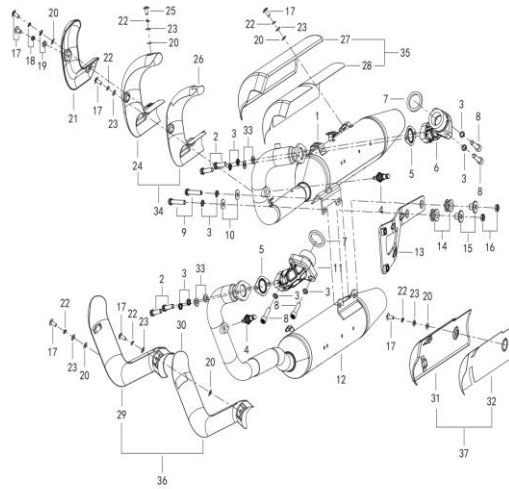
NO.	CODE	EN DESCRIPTION	Qty/Unit
1	44004P060001	FRONT AXLE	1
2	44016P100100	RIGHT FRONT WHEEL BUSHING	1
3	B140108F1620	VACUUM TIRE 130/90-16	1
4	44100PBD000Z	FRONT WHEEL RIM ASSEMBLY	1
5	B1403Z201100	VALVE STEM	1
6	45030PBD0000	FRONT BRAKE DISC ASSEMBLY	1
7	45702P100000	FRONT WHEEL SPEED RING GEAR	1
8	08005P620J00	THIN HEXAGON FLANGE SCREW M8×20	6
9	44005P100100	LEFT FRONT WHEEL BUSHING	1
10	44091P290000	5G DYNAMIC BALANCE WEIGHT	5
11	B12016020400	ROLLING BEARING 6204-2RS	2
12	44006P100100	FRONT MIDDLE SPACER SLEEVE	1
13	60200J0000001	DUST RING ASSEMBLY	2

F04 BRAKE ASSY.



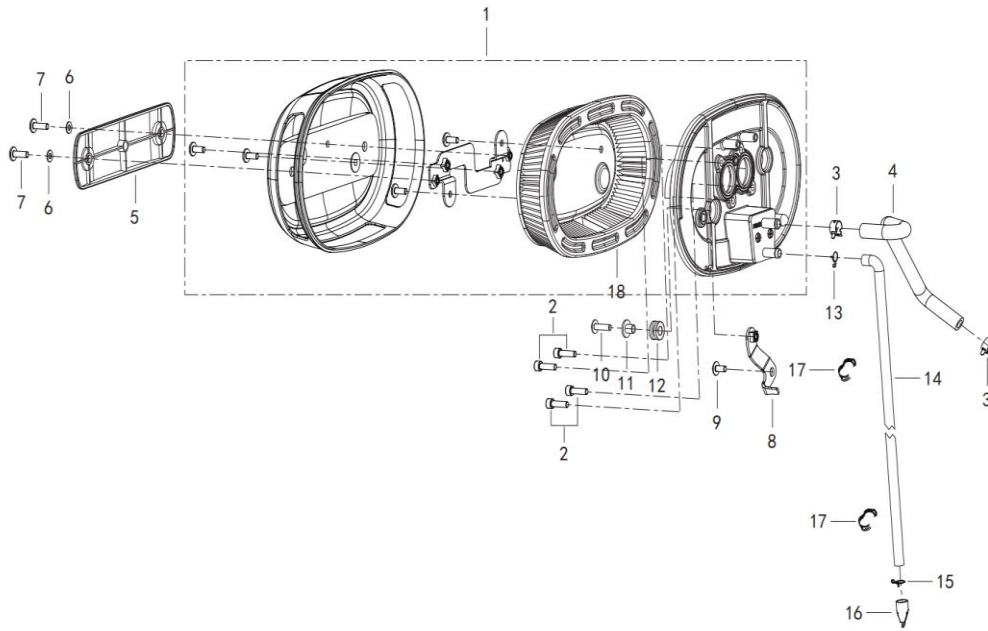
NO.	CODE	EN DESCRIPTION	Qty/Unit
1	55037P250100	ABS OIL PIPE BOLT	4
2	45078P440001	WASHER	8
3	45700N700000	DUAL CHANNEL ABS ASSEMBLY	1
4	45400N300010	FRONT OIL PUMP BODY ASSEMBLY	1
5	45240P540001	FRONT HYDRAULIC BRAKE OIL PIPE ASSEMBLY I	1
6	45270P540001	FRONT HYDRAULIC BRAKE OIL PIPE ASSEMBLY II	1
7	45500J800502	FRONT LEFT BRAKE CYLINDER ASSEMBLY	1
8	45110P100001	FRONT FRICTION PLATE ASSEMBLY	1FU
9	55400P540000	BODY AS-REAR OIL PUMP	1
10	55300P100001	REAR BRAKE PRESSURE SWITCH	1
11	08002P620002	HEXAGON SOCKET FLANGE SCREW M6×14	1
12	57041V030001	OIL CUP ANTI REMOVAL COVER	1
13	55140P260000	REAR OIL CUP ASSEMBLY	1
14	55270PBD0001	REAR HYDRAULIC BRAKE OIL PIPE ASSEMBLY II	1
15	55240P540001	REAR HYDRAULIC BRAKE OIL PIPE ASSEMBLY I	1
16	55500P100130	REAR BRAKE CYLINDER ASSEMBLY	1
17	55110P100001	REAR FRICTION PLATE ASSEMBLY	1FU
18	50920S070000	SENSOR WIRE CLIP	8
19	45037J000200	COUPLING BOLT	2
20	45013P300001	OIL CUP LINER	1
21	45011P300001	OIL CUP PAD	1
22	45023P250000	HANDLE FIXING COVER	1
23	B02810602562	SCREW M6×25	2
24	45024P300000	HANDLE FIXING BOLT	1
25	45300J000010	FRONT BRAKE SWITCH ASSEMBLY	1
26	45020P300000	FRONT HYDRAULIC BRAKE HANDLE ASSEMBLY	1
27	B04170600055	SELF LOCKING NUT M6	1
28	45021B510000	DUST COVER OF VENT NOZZLE	1
29	45019N100100	VENT NOZZLE	1
30	45037P300200	OIL PIPE MOUNTING BOLT	1
31	45074J800001	GUIDE SHAFT	2
32	B01090802562	BOLT M8×25	1
33	45021P180000	DUST COVER OF VENT NOZZLE	1
34	45019P180100	VENT NOZZLE	1
35	55016P100000	GUIDE PILLAR DUST COVER	1
36	55053P100000	GUIDE POST 2	1
37	55014P100000	GUIDE POST 1	1
38	55015P100000	GUIDE PILLAR DUST COVER	1
39	45180J000100	A SEAL	8

F05 MUFFLER ASSY.



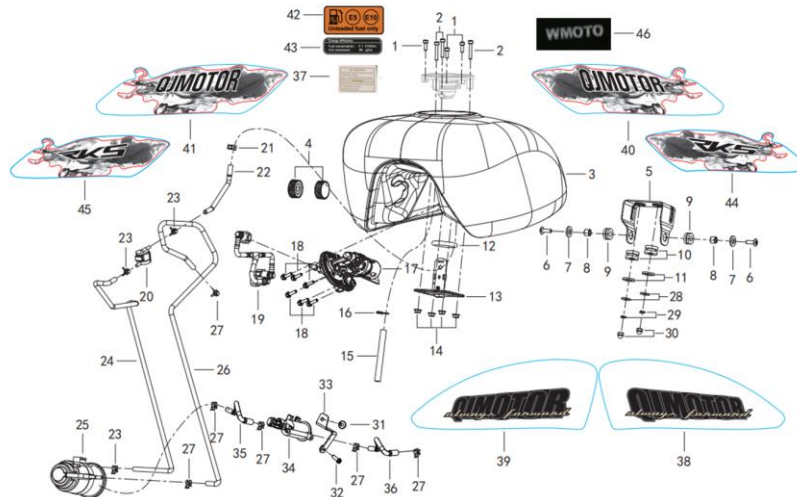
NO.	CODE	EN DESCRIPTION	Qty/Unit
1	47100PBD0001	MUFFLER AS-FRONT	1
2	B0281080256K	BOLT M8×1.25×25	4
3	B0700000080A	SPRING WASHER 8	10
4	280586030000	OXYGEN SENSOR	2
5	47490P540000	GASKET AS-GASKET	2
6	47841P540000	EXHAUST MANIFOLD I	1
7	47800J060000	LINER AS-EXHAUST PIPE	2
8	B0226080356S	HEXAGON SOCKET HEAD SCREW M8×35	4
9	B02810803562	BOLT M8×1.25×35	2
10	54018J04000A	SHIM	2
11	48841P540000	EXHAUST MANIFOLD II	1
12	48100P541023	MUFFLER AS-REAR	1
13	58080P540000	MUFFLER MOUNT	1
14	65617H010010	RUBBER SLEEVE II	2
15	65613P260000	SHIELD BUSHING	2
16	B0402080001H	HEXAGON THIN NUT M8	2
17	08002P620002	HEXAGON SOCKET FLANGE SCREW M6×14	6
18	B0700000060H	SPRING WASHER 6	2
19	B0702000060H	WASHER Φ6	2
20	08022N050000	INSULATION GASKET	6
21	47024PBDMM00	DECORATIVE COVER III,GOLDEN MM	1
22	B0700000060A	SPRING WASHER Φ6	6
23	B0703000060A	WASHER Φ6	6
24	47020P54MM00	COVER AS-TRIM,GOLDEN MM	1
25	08002P620001	HEXAGON SOCKET TORX FLANGE SCREW M6×12	1
26	47041P540000	DECORATIVE COVER THERMAL INSULATION TIN FOIL PAPER I	1
27	47760P54MM00	COVER AS-TRIM,GOLDEN MM	1
28	47042P540000	DECORATIVE COVER THERMAL INSULATION TIN FOIL PAPER II	1
29	48020P54MM00	COVER AS-TRIM,GOLDEN MM	1
30	48041P540000	DECORATIVE COVER THERMAL INSULATION TIN FOIL PAPER I	1
31	48760P54MM00	COVER AS-TRIM,GOLDEN MM	1
32	48042P540000	DECORATIVE COVER THERMAL INSULATION TIN FOIL PAPER II	1
33	B0703000080A	WASHER Φ8	4
34	47020P54MM0Z	TRIM COVER ASSEMBLY,GOLDEN MM	1
35	47760P54MM0Z	TRIM COVER ASSEMBLY,GOLDEN MM	1
36	48020P54MM0Z	TRIM COVER ASSEMBLY,GOLDEN MM	1
37	48760P54MM0Z	TRIM COVER ASSEMBLY,GOLDEN MM	1

F06 AIR CLEANER ASSY.



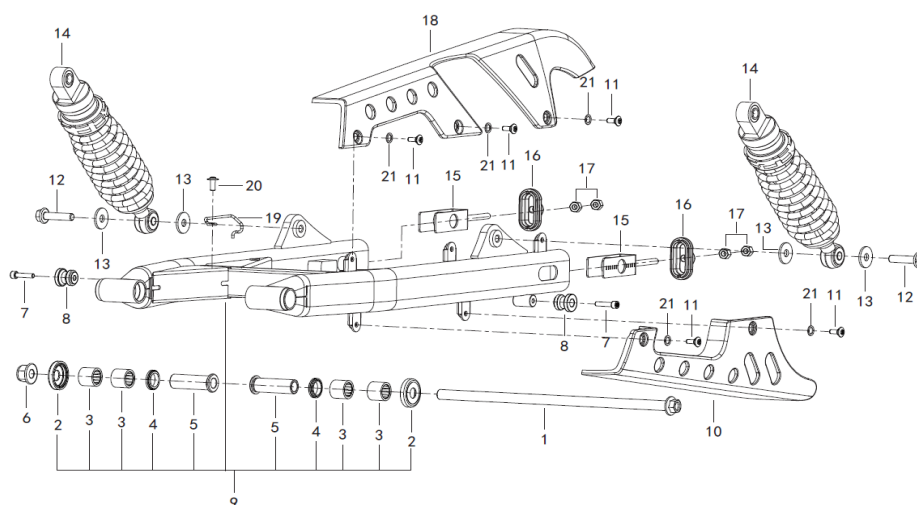
NO.	CODE	EN DESCRIPTION	Qty/Unit
1	49100P540001	AIR FILTER ASSEMBLY	1
2	160306030030	HEXAGON TORX BOLT M6×20	4
3	50307J140300	PLATE CLAMP	2
4	49025P540000	WASTE GAS RECOVERY PIPE	1
5	05561P540002	LABEL ASSEMBLY OF AIR FILTER	1
6	65825PAK0000	WASHER Φ5	2
7	08002P620002	HEXAGON SOCKET FLANGE SCREW M6×14	2
8	57910P540000	AIR FILTER MOUNTING BASE	1
9	08002P620001	HEXAGON SOCKET FLANGE SCREW M6×12	1
10	08002P620003	HEXAGON SOCKET FLANGE SCREW M6×20	1
11	27097505001X	BUSHING	1
12	65616L430000	GUARD RUBBER PAD	1
13	B1701010500H	STEEL WIRE CLAMP Φ10.5	1
14	50012K980000	SEWER PIPE Φ7×2	1
15	B1701011000H	STEEL WIRE CLAMP Φ11	1
16	49840T920000	CHECK VALVE	1
17	96001L790000	TOOTHED PUSH TYPE WIRE HOOP	2
18	49200PBD0000	FILTER ELEMENT ASSEMBLY	1

F07 FUEL TANK ASSY.



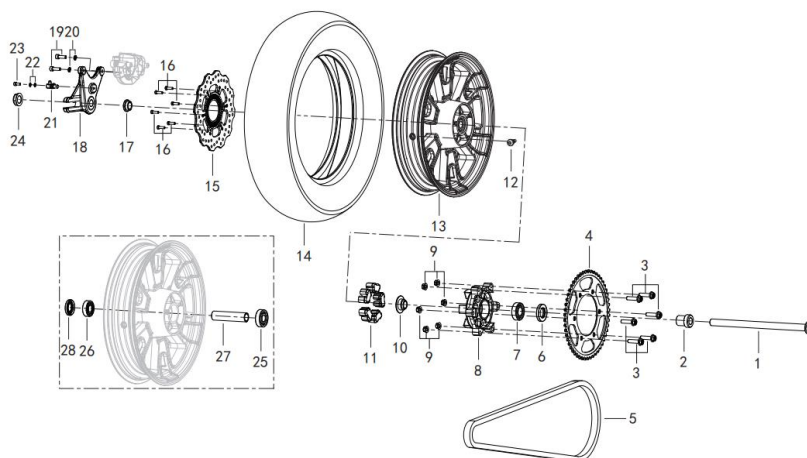
NO.	CODE	EN DESCRIPTION	Qty/Unit
1	B0226050146A	HEXAGON SOCKET HEAD CAP SCREW M5×14	3
2	B0226050306A	HEXAGON SOCKET HEAD CAP SCREW M5×30	3
3	50100PBD010Z	TANK WELDING ASSEMBLY, BLACK NJ, WITH STICKER	1
3	50100PBD011Z	TANK WELDING ASSEMBLY, WHITE WE, WITH STICKER	1
3	50100PBD012Z	TANK WELDING ASSEMBLY, GREEN (U8) , WITH STICKER	1
4	50005J000000	CUSHION	2
5	50027PBD0000	TANK MOUNTING PLATE	1
6	08002P620003	HEXAGON SOCKET FLANGE SCREW M6×20	2
7	B0703000100H	WASHER 10	2
8	65517J900101	RUBBER LINER	2
9	82011J210000	TAIL LAMP FIXING RUBBER PAD	2
10	50005P250000	OIL TANK FRONT MOUNTING PAD	2
11	B0703000120H	FLAT WASHER Φ12	2
12	50002K020000	SENSOR RUBBER PAD	1
13	50800PBD0001	FUEL SENSOR ASSY	1
14	B0417060004H	SELF LOCKING NUT M6	4
15	55065E070000	TUBING	1
16	B1701010500H	STEEL WIRE CLAMP Φ10.5	1
17	50400P540000	FUEL PUMP	1
18	08012P620001	HEXAGON SOCKET HEXAGON FLANGE BOLT M5×16	6
19	50070P540000	HIGH PRESSURE OIL PIPE ASSEMBLY	1
20	50260T730003	VALVE AS-DUMP	1
21	49016B350300	PLATE CLAMP 8.5	1
22	49905P540000	CONNECTING PIPE BETWEEN DUMP VALVE AND OIL TANK	1
23	50306T450300	PLATE CLAMP 8	3
24	49902P540000	CONNECTING PIPE BETWEEN CARBON CANISTER AND DUMP VALVE	1
25	49910J480005	CARBON CANISTER ASSEMBLY	1
26	49924P540000	CONNECTING PIPE BETWEEN CARBON CANISTER AND INTAKE PIPE	1
27	50307J140302	PLATE CLAMP 10	6
28	B0702000060H	WASHER Φ6	2
29	B0700000060H	SPRING WASHER 6	2
30	B0422060004H	NUT M6	2
31	08002P620001	HEXAGON SOCKET FANCY FLANGE SCREWS M6×12	1
32	B0226060166S	HEXAGON SOCKET FANCY CYLINDRICAL HEAD SCREW M6×16	1
37	05531N280004	FUEL TANK WARNING DECAL	1
46	05533PBD0000	TANK LABEL	1

F08 REAR SWINGING ARM ASSY.



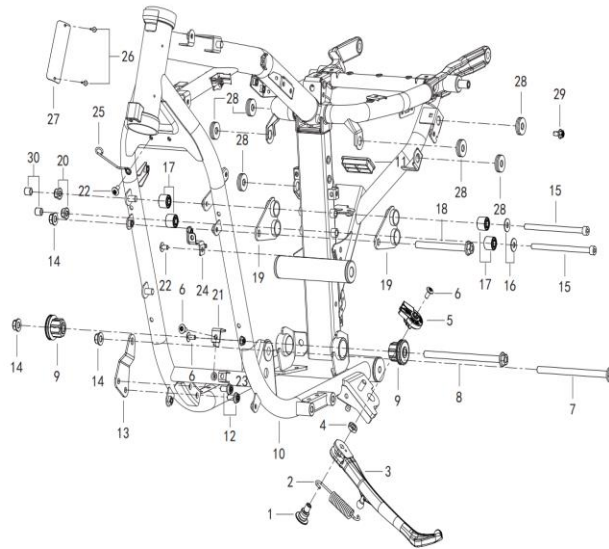
NO.	CODE	EN DESCRIPTION	Qty/Unit
1	53001PBD0000	REAR SWING ARM SHAFT	1
2	53220J690000	DUST RING ASSEMBLY	2
3	B1212K202000	NEEDLE ROLLER BEARING HK2020	4
4	53210J060000	BEARING OIL SEAL	2
5	53006PBD0000	REAR SWING ARM SLEEVE	2
6	B0417141504H	SELF LOCKING NUT M14×1.5	1
7	08002P32004J	HEXAGON SOCKET HEAD CAP SCREW M6×25	2
8	53021P250000	SUPPORT SLEEVE	2
9	53100PBD000Z	REAR SWING ARM ASSEMBLY	1
10	53004PBD0000	CHAIN GUARD BLOCK	1
11	08003P620000	HEXAGON FLANGE STEP SCREW M6×15	5
12	08015P620J04	HEXALOBULAR SOCKET RECESSED HEXAGON FLANGE BOLT M10×1.25×40	2
13	B0702000100H	LARGE GASKET Φ10	4
14	63800PBD0000	SHOCK ABSORBER AS-REAR	2
15	53230PBD0000	REGULATOR AS-CHAIN	2
16	53234PBDBG00	PRESSURE PLATE,CHAIN ADJUSTER	2
17	B0400080005H	NUT M8	4
18	60101PBD0000	UPPER CHAIN COVER	1
19	57014P540000	WIRE CLAMP	1
20	08002P620002	HEXAGON SOCKET FLANGE SCREW M6×14	1
21	47936S010000	GREY NYLON	3

F09 REAR WHEEL ASSY.



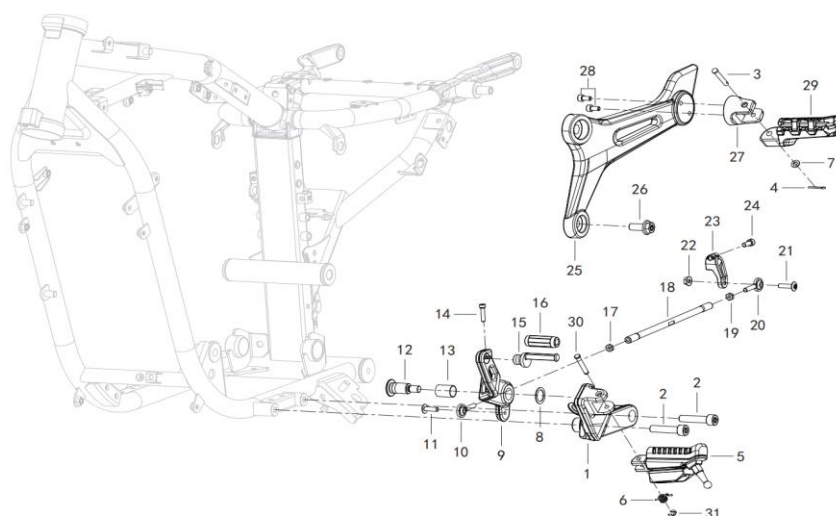
NO.	CODE	EN DESCRIPTION	Qty/Unit
1	54004PBD0000	REAR SWING ARM MOUNTING SHAFT	1
2	54016P540000	REAR WHEEL LEFT SHAFT SLEEVE	1
3	08015P620J04	HEXALOBULAR SOCKET RECESSED HEXAGON FLANGE BOLT M10×1.25×40	6
4	60002P540001	SPROCKET	1
5	60310PBD0000	CHAIN 520VE-1 × 122	1
6	54300P160000	OIL SEAL	1
7	B12016020500	ROLLING BEARING 6205-2RS	1
8	60001P540000	CHAIN HUB	1
9	B04821012552	SELF LOCKING NUT M10×1.25	6
10	60006P160000	CHAIN DRIVE SHAFT SLEEVE	1
11	54024P160001	REAR WHEEL BUFFER	5
12	B1403Z201100	VALVE STEM	1
13	54100PBD000Z	RIM AS-REAR WHEEL	1
14	B140110E1620	VACUUM TIRE 150 / 80-15	1
15	55030P090001	DISC AS-REAR BRAKE	1
16	08013P06000J	SCREW M6×20	6
17	54005P100100	REAR WHEEL RIGHT BUSHING	1
18	55401P540000	REAR HYDRAULIC BRAKE HANGING PLATE	1
19	08001P32000J	HEXAGON SOCKET HEAD CAP SCREW M8×25	2
20	B0700000080A	SPRING WASHER 8	2
21	55710N490000	REAR WHEEL SPEED SENSOR	1
22	43283P100010	SHIM	2
23	B0226060126S	HEXAGON SOCKET HEAD CAP SCREW M6×12	1
24	08051P100100	SELF LOCKING NUT M20×1.5	1
25	B12016030400	ROLLING BEARING 6304-2RS	1
26	B12016020400	ROLLING BEARING 6204-2RS	1
27	54006P540000	REAR WHEEL MIDDLE SPACER SLEEVE	1
28	60200J000001	DUST RING ASSEMBLY	1

F10 FRAME BODY ASSY.



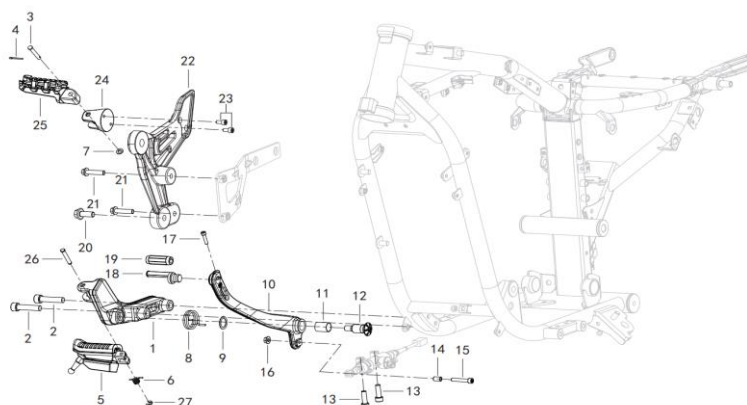
NO.	CODE	EN DESCRIPTION	Qty/Unit
1	57005PBD0000	SINGLE SUPPORT BOLT	1
2	57003J000070	SINGLE SPRING	1
3	58701P540000	SINGLE SUPPORT	1
4	B0403101251H	HEXAGON THIN NUT M10×1.25	1
5	91170V020000	SINGLE SUPPORT FLAMEOUT SWITCH	1
6	08002P620002	HEXAGON SOCKET FLANGE SCREW M6×14	3
7	B0159101656H	HEXAGON FLANGE BOLT M10×1.25×165	1
8	B0159101706H	BOLT M10×1.25×170	1
9	57060P540000	FRONT CUSHION BUSH ASSEMBLY OF ENGINE	2
10	57100PBDBH00	FRAME WELDING ASSEMBLY	1
11	57015P540000	FRAME PLUG	1
12	08005P620000	THIN HEXAGON FLANGE SCREW M8×16	2
13	57211P540000	FRONT RIGHT ENGINE MOUNTING PLATE	1
14	B04821012552	SELF LOCKING NUT M10×1.25	3
15	B02050813064	SCREW M8×130	2
16	54018J04000A	SHIM	2
17	150093160000	REAR SHOCK ABSORBER FIXING BUSH ASSEMBLY	4
18	B0159101136H	HEXAGON FLANGE BOLT M10×1.25×113	1
19	57220P540000	ENGINE REAR MOUNT	2
20	B0417080004H	SELF LOCKING NUT M8	2
21	57054P540000	CARBON CANISTER MOUNTING PLATE	1
22	08002P620001	HEXAGON SOCKET FLANGE SCREW M6×12	2
23	B0417060004H	SELF LOCKING NUT M6	1
24	59710P540000	OIL CUP MOUNTING BASE	1
25	57013P540000	CLUTCH CLAMP II	1
26	B100432007P0	PULL MANDREL RIVETS 3.2×7	2
28	65618J000000	RUBBER PAD OF GUARD PLATE	6
29	08010P060000	GROUNDING BOLT ASSEMBLY M6×16	2
30	58306U510000	BOLT SHEATH	2

F11 PEDALING ASSY.



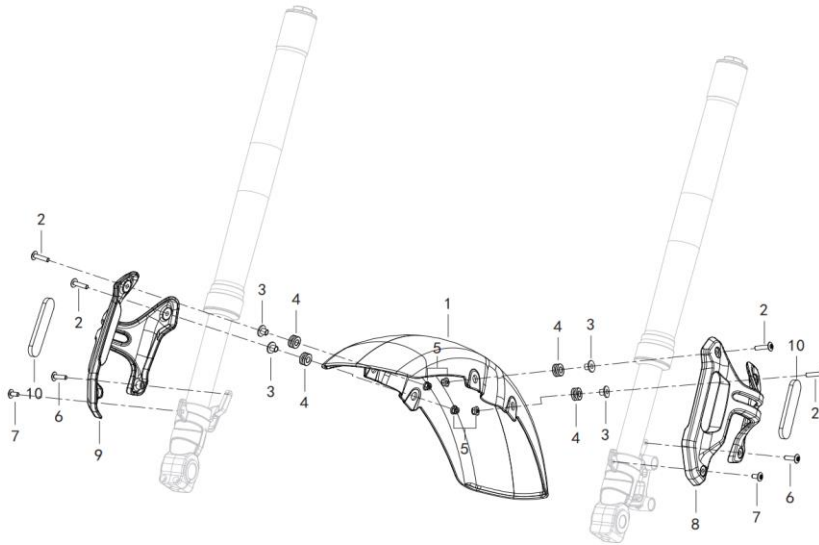
NO.	CODE	EN DESCRIPTION	Qty/Unit
1	58226P540001	FRONT LEFT PEDAL BRACKET	1
2	08001P65030J	HEXAGON SOCKET HEAD SCREW M10×1.25×45	2
3	58217P160000	PEDAL MOUNTING PIN	1
4	B090002018AH	SPLIT PIN Φ2×18	1
5	58220N490000	FRONT LEFT PEDAL COMBINATION	1
6	58222S010100	STRAIGHT ARM TORSION SPRING	1
7	B0703000060H	WASHER Φ6	1
8	58216S010000	SHIM	1
9	08383P540000	SHIFT LEVER	1
10	08375S010000	NODAL HEAD	1
11	08002P620003	HEXAGON SOCKET FLANGE SCREW M6×20	1
12	40706P250J02	REAR BRAKE PEDAL MOUNTING SCREW	1
13	58511S010001	SELF LUBRICATING BUSHING	1
14	B0205050226A	HEXAGON SOCKET HEAD SCREW M5×22	1
15	08384P540000	SHIFT LEVER PEDAL	1
16	08372P540000	RUBBER FOR SHIFT LEVER	1
17	B04800600052	NUT M6	1
18	08371P540000	SHIFT LEVER CONNECTING ROD	1
19	08051S040010	LEFT NUT M6	1
20	40706S040000	M6 LEFT JOINT HEAD	1
21	08002P620J04	HEXAGON SOCKET FLANGE SCREW M6×25	1
22	B0417060004H	SELF LOCKING NUT M6	1
23	08381P910010	SHIFT LEVER MOUNTING	1
24	B0226060166S	HEXAGON SOCKET HEAD SCREW M6×16	1
25	58266PBD0000	LEFT REAR PEDAL BRACKET	1
26	08015P620002	HEXAGON SOCKET HEXAGON FLANGE BOLT M10×1.25×25	1
27	58451PBD0000	LEFT REAR PEDAL MOUNTING BASE	1
28	B0226060146S	HEXAGON SOCKET FLOWER SHAPED CHEESE HEAD SCREW M6×14	2
29	58260P26001Z	LEFT REAR PEDAL COMBINATION	1
30	58217P260000	PEDAL MOUNTING PIN	1
31	B0882000050A	RETAINING RING Φ5	1

F12 PEDALING ASSY.



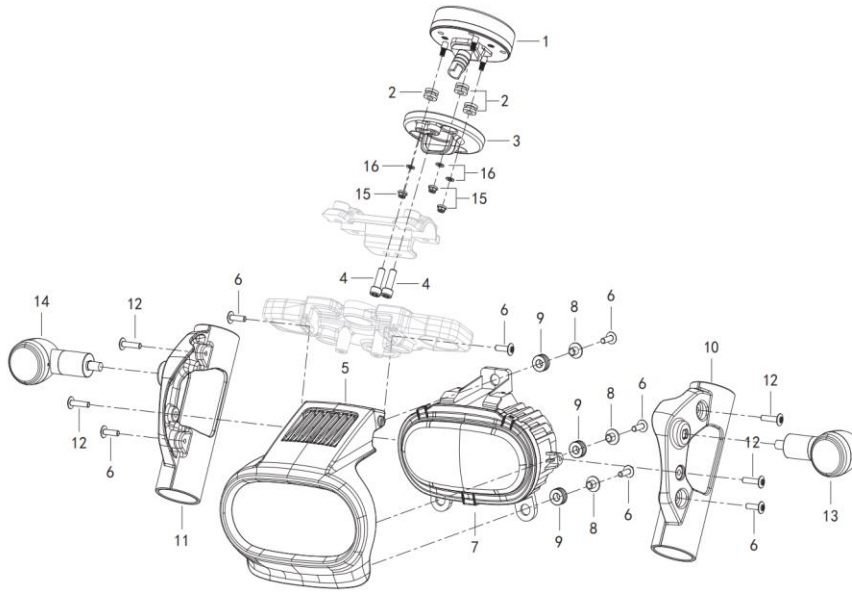
NO.	CODE	EN DESCRIPTION	Qty/Unit
1	58246P540001	RIGHT FRONT PEDAL BRACKET	1
2	08001P65030J	HEXAGON SOCKET HEAD CAP SCREW M10×1.25×45	2
3	58217P160000	PEDAL MOUNTING PIN	1
4	B090002018AH	SPLIT PIN $\Phi 2 \times 18$	1
5	58240N490000	RIGHT FRONT PEDAL COMBINATION	1
6	58222S010100	TORSION SPRING WITH STRAIGHT ARM	1
7	B0703000060H	WASHER $\Phi 6$	1
8	40702P370000	BRAKE TORSION SPRING	1
9	58216S010000	SHIM	1
10	40712P540000	BRAKE LEVER	1
11	58511S010001	SELF LUBRICATING BUSHING	1
12	40706P250J02	REAR BRAKE PEDAL MOUNTING SCREW	1
13	08001P32000J	HEXAGON SOCKET HEAD CAP SCREW M8×25	2
14	55049P540000	REAR OIL PUMP BODY MOUNTING BUSH	1
15	08002P32006J	HEXAGON SOCKET HEAD CAP SCREW M6×35	1
16	B0417060004H	SELF LOCKING NUT M6	1
17	B0205050226A	HEXAGON SOCKET HEAD CAP SCREW M5×18	1
18	08384P540000	SHIFT LEVER PEDAL	1
19	08372P540000	SHIFT PEDAL RUBBER	1
20	08015P620002	HEXAGON SOCKET HEXAGON FLANGE BOLT WITH HEXAGON SOCKET, M10×1.25×25	1
21	160306030160	HEXAGON TORX BOLT M8×35	2
22	58286PBD0000	RIGHT REAR PEDAL BRACKET	1
23	B0226060146S	HEXAGON SOCKET FLOWER SHAPED CHEESE HEAD SCREW M6×14	2
24	58471PBD0000	RIGHT REAR PEDAL MOUNTING BASE	1
25	58280P26001Z	RIGHT REAR PEDAL COMBINATION	1
26	58217P260000	PEDAL MOUNTING PIN	1
27	B0882000050A	RETAINING RING $\Phi 5$	1

F13 FRONT FENDER ASSY.



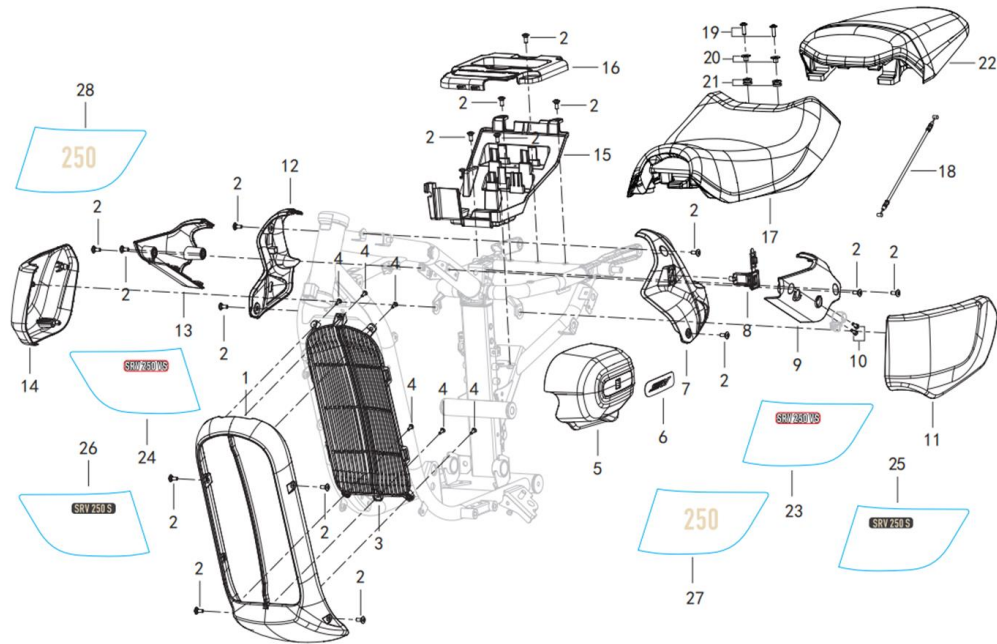
NO.	CODE	EN DESCRIPTION	Qty/Unit
1	65101PBDNJ00	FRONT FENDER,BLACK NJ	1
1	65101PBDWE00	FRONT FENDER,WHITE WE	1
1	65101PBDU800	FRONT FENDER,GREEN (U8)	1
2	08002P620004	HEXAGON SOCKET FLANGE SCREW M6×25	4
3	27097505001X	BUSHING	4
4	65616L430000	GUARD RUBBER PAD	4
5	B0417060004H	SELF LOCKING NUT M6	4
6	08002P620003	HEXAGON SOCKET FLANGE SCREW M6×20	2
7	08002P620001	HEXAGON SOCKET FLANGE SCREW M6×12	2
8	65108PBDMM00	FRONT FENDER LEFT TRIM PANEL,GOLDEN MM	1
9	65116PBDMM00	FRONT FENDER RIGHT TRIM PANEL,GOLDEN MM	1
10	86300P090000	FRONT REFLECTOR	2

F14 LIGHT & SPEEDOMETER ASSY.



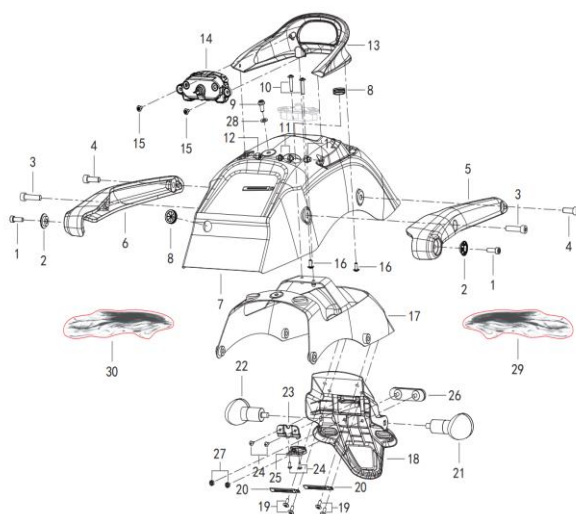
NO.	CODE	EN DESCRIPTION	Qty/Unit
1	70000P540002	INSTRUMENT ASSEMBLY	1
2	70168P540000	INSTRUMENT BUFFER RUBBER	3
3	70078P540000	INSTRUMENT SUPPORT	1
4	08001P32000J	HEXAGON SOCKET HEAD CAP SCREW M8×25	2
5	65203PBDBG00	HEADLAMP COVER,BLACK BG	1
6	08002P620003	HEXAGON SOCKET FLANGE SCREW M6×20	7
7	80000PBD0000	HEADLAMPS	1
8	27097505001X	BUSHING	3
9	65616L430000	PROTECTIVE PLATE RUBBER PAD	3
10	65244PBDBG00	HEADLAMP LEFT TRIM PANEL,BLACK BG	1
11	65245PBDBG00	HEADLAMP RIGHT TRIM PANEL,BLACK BG	1
12	08002P620004	HEXAGON SOCKET FLANGE SCREW M6×25	4
13	81100P540000	FRONT LEFT TURN SIGNAL	1
14	81300P540000	FRONT RIGHT TURN SIGNAL	1
15	B0417050004H	ALL METAL HEXAGON FLANGE LOCK NUT M5	3
16	B0703000050H	FLAT WASHER Φ5	3

F15 SIDE COVER ASSY.



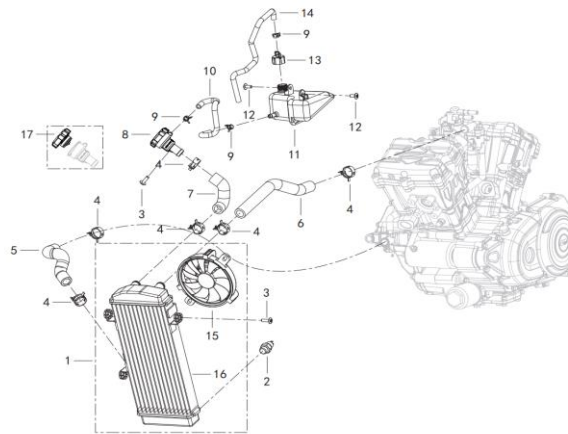
NO.	CODE	EN DESCRIPTION	Qty/Unit
1	65685P540000	DECORATIVE COVER OF WATER TANK I	1
2	08003P620000	HEXAGON FLANGE STEP SCREW M6×15	17
3	65686P540000	DECORATIVE COVER OF WATER TANK II	1
4	B0507420160H	SELF TAPPING SCREW ST4.2×16	6
5	65436P54BG00		1
6	05562PBD0010	ENGINE LEFT TRIM PANEL NICKEL TRIM PANEL	1
7	65681P54BG00	FUEL TANK FRONT LEFT TRIM PANEL, BLACK BG	1
8	99700S070004	VEHICLE USB CHARGER	1
9	65603P54BG00	LEFT FRONT GUARD, BLACK BG	1
10	B0226050146S	HEXAGON SOCKET HEAD CAP SCREW M5×14	2
11	65601PBD012Z	LEFT GUARD, BLACK NJ, WITH STICKER	1
11	65601PBD015Z	LEFT GUARD, WHITE WE, WITH STICKER	1
12	65682P54BG00	FUEL TANK FRONT RIGHT TRIM PANEL	1
13	65604P54BG00	RIGHT FRONT GUARD, BLACK BG	1
14	65602PBD012Z	RIGHT GUARD, BLACK NJ, WITH STICKER	1
14	65602PBD015Z	RIGHT GUARD, WHITE WE, WITH STICKER	1
15	65761P540000	REAR LOWER FENDER	1
16	51022P540000	SEAT CUSHION LOWER TRIM COVER	1
17	51100PBD0001	FRONT SEAT CUSHION ASSEMBLY	1
18	58900PBD0000	SEAT CUSHION CABLE ASSEMBLY	1
19	08002P620003	HEXAGON SOCKET TORX FLANGE SCREW M6×20	2
20	27097505001X	BUSHING	2
21	65616L430000	PROTECTIVE PLATE RUBBER PAD	2
22	51200PBD0101	CUSHION AS-REAR	1
27	05511PBDNJ01	LEFT GUARD BOARD DECAL	1
28	05512PBDNJ01	RIGHT GUARD BOARD DECAL	1

F16 REAR FENDER ASSY.



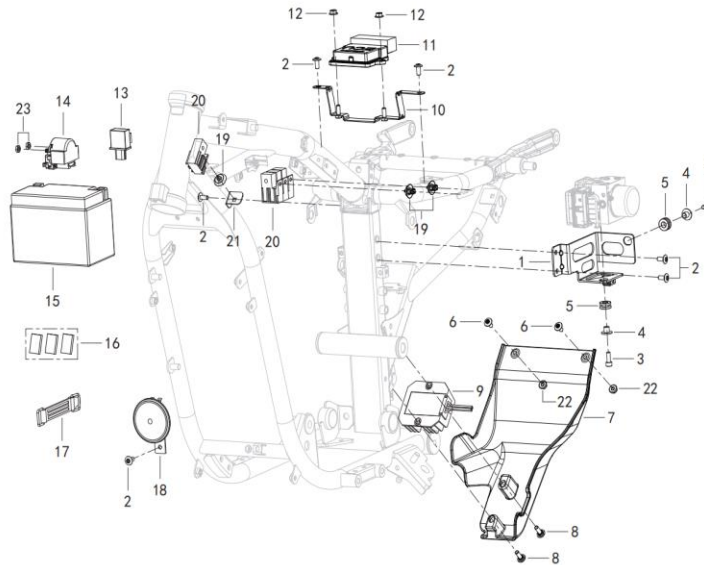
NO.	CODE	EN DESCRIPTION	Qty/Unit
1	08001P32000J	HEXAGON SOCKET HEAD CAP SCREW M8×25	2
2	43058PBD0000	DAMPING TRIM COVER	2
3	B0226100406S	HEXAGON SOCKET TORX CHEESE HEAD SCREW M10×40	2
4	B0226100306S	HEXAGON SOCKET TORX CHEESE HEAD SCREW M10×30	2
5	65711PBDMM00	REAR FENDER LEFT TRIM PANEL,GOLDEN MM	1
6	65712PBDMM00	REAR FENDER RIGHT TRIM PANEL,GOLDEN MM	1
7	65750PBDNJ00	REAR FENDER WELDING ASSEMBLY,BLACK NJ	1
7	65750PBDU800	REAR FENDER WELDING ASSEMBLY,GREEN (U8)	1
7	65750PBDWE00	REAR FENDER WELDING ASSEMBLY,WHITE WE	1
8	65704P540000	REAR FENDER THREAD RUBBER	2
9	08005P620000	THIN HEXAGON FLANGE SCREW M8×16	1
10	08002P620005	HEXAGON SOCKET FLANGE SCREW M6×30	2
11	B0109060056H	HEXAGON FLANGE BOLT M6×5	2
12	08011PBD0000	TAIL LAMP TRIM PANEL MOUNTING BOLT M8×7	2
13	65722PBD0000	REAR TURN SIGNAL UPPER MOUNTING	1
14	82000PBD0000	TAILLIGHT	1
15	08001P620000	HEXAGON SOCKET FLANGE SCREW M5×12	2
16	08002P620001	HEXAGON SOCKET TORX FLANGE SCREW M6×12	2
17	65770PBD0000	MOUNTING SEAT OF REAR LICENSE PLATE BRACKET	1
18	65701PBD0000	REAR FENDER TAIL	1
19	08002P620002	HEXAGON SOCKET FLANGE SCREW M6×14	4
20	58430J000000	CLAMP ASSEMBLY	2
21	81500PBD0000	REAR LEFT TURN SIGNAL	1
22	81700PBD0000	REAR RIGHT TURN SIGNAL	1
23	65716PBD0000	REAR LICENSE PLATE BRACKET	1
24	B0507420130G	CROSS RECESSED LARGE SPHERICAL HEAD TAPPING SCREW ST4.2×13	4
25	82900PBD0000	REAR LICENSE PLATE LAMP	1
26	86500B300010	RETROREFLECTOR	1
27	B04810600052	NUT M6×1	2
28	B0703000080H	WASHER 8	1

F17 COOLING SYSTEM ASSY.



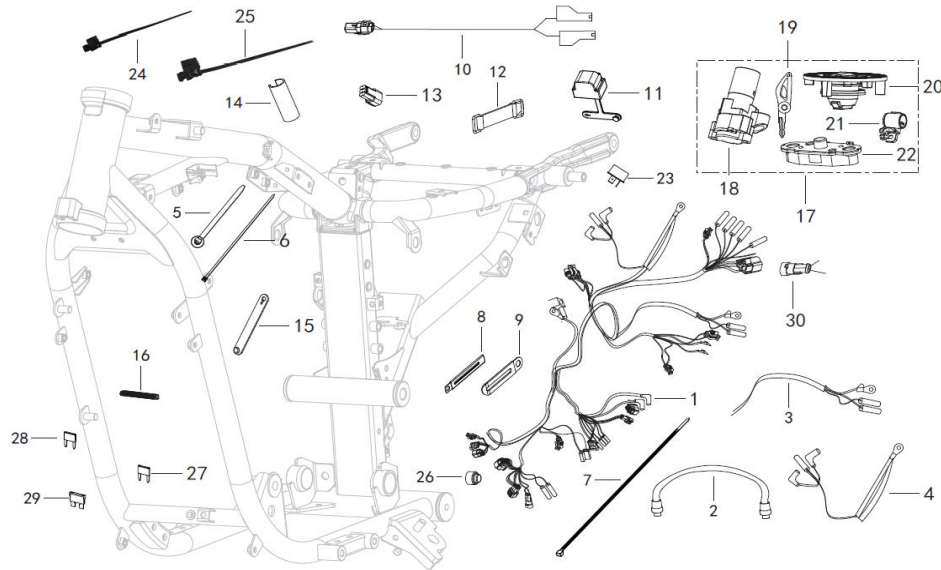
NO.	CODE	EN DESCRIPTION	Qty/Unit
1	279126590000	WATER TANK ASSEMBLY	1
2	279115050003	WATER OUTLET TEMPERATURE SWITCH ASSEMBLY	1
3	08002P620003	HEXAGON SOCKET FLANGE SCREW M6×20	2
4	06103N120100	WATER PIPE PLATE CLAMP Φ25	6
5	06251P540000	ENGINE WATER OUTLET PIPE	1
6	06211P540000	ENGINE WATER INLET PIPE	1
7	06107P540000	WATER INLET OF WATER TANK AND CONNECTING PIPE OF WATER TANK	1
8	279186590000	WATER INLET ASSEMBLY	1
9	49908J860200	PLATE TYPE CLAMP WITH DIAMETER OF 9.5×8×0.6	3
10	06106P540000	CONNECTING PIPE BETWEEN EXPANSION KETTLE AND WATER INLET OF WATER TANK	1
11	06111P540000	EXPANSION KETTLE	1
12	08002P620002	HEXAGON SOCKET FLANGE SCREW M6×14	3
13	06130P540000	COVER AS-EXPANSION KETTLE	1
14	06101P540000	OUTLET PIPE OF EXPANSION KETTLE	1
15	270144410000	FAN	1
16	279136590000	WATER TANK WELDING ASSEMBLY	1
17	270265050000	FILLER CAP SUBASSEMBLY	1

F18 ELECTRICAL EQUIPMENT ASSY.



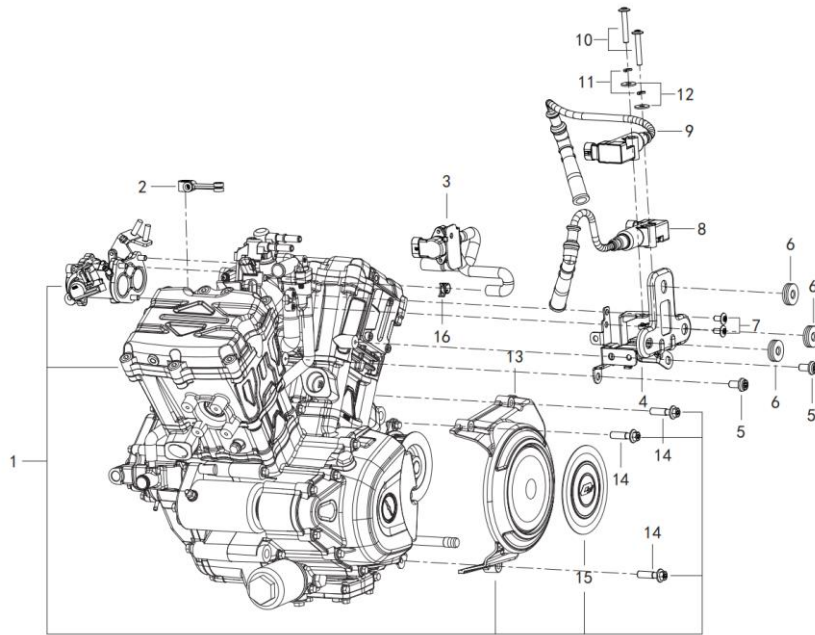
NO.	CODE	EN DESCRIPTION	Qty/Unit
1	58660P540001	ABS MOUNTING BASE	1
2	08002P620002	HEXAGON SOCKET FLANGE SCREW M6×14	6
3	B0226060166S	HEXAGON SOCKET HEAD SCREW M6×16	2
4	27097505001X	BUSHING	2
5	65616L430000	PROTECTIVE PLATE RUBBER PAD	2
6	08002P620001	HEXAGON SOCKET TORX FLANGE SCREW M6×12	2
7	65760PBD0000	REAR LOWER FENDER	1
8	08004P620000	HEXAGON SOCKET FLOWER FLANGE STEP SCREW M6×19	2
9	29906N490000	RECTIFIER	1
10	57460P540001	ECU MOUNTING BASE	1
11	96C00N610002	ECU	1
12	B0417060004H	SELF LOCKING NUT M6	2
13	96400TA70100	FLASHER	1
14	94100P540000	START RELAY	1
15	96100P410000	BATTERY	1
16	58752J00000A	BATTERY SPONGE PAD	10
17	96020T750000	BATTERY STRAP	1
18	95100S010002	HORN	1
19	96030N420000	DOUBLE HEAD BUCKLE	3
20	92039S010000	RELAY	4
21	57401P540000	RELAY MOUNTING PLATE	1
22	B0407060005H	HEXAGON FLANGE NUT M6	2
23	B0402060001H	THIN NUT M6	2

F19 ELECTRICAL EQUIPMENT ASSY.



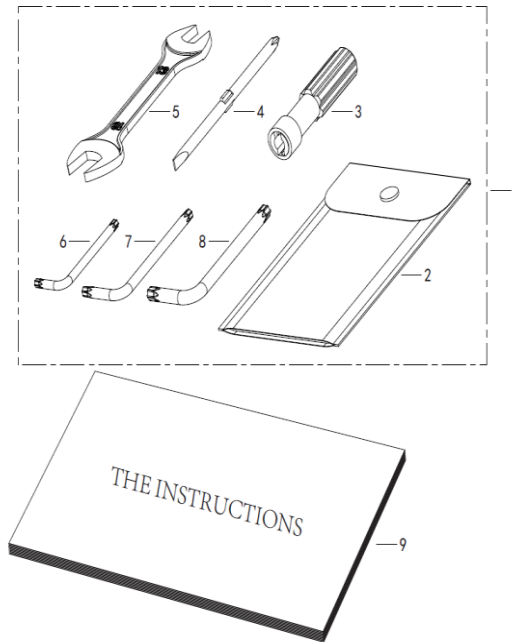
NO.	CODE	EN DESCRIPTION	Qty/Unit
1	92000P540005	CABLE ASSEMBLY	1
2	92200P540001	POWER CORD	1
3	92300P540001	MOTOR LINE	1
4	92500P540000	GROUND WIRE	1
5	96001P360000	THREAD TIE	10
6	40098B450000	BINDING TAPE	3
7	96003P360000	NYLON CABLE TIES	10
8	58430J000000	CLAMP ASSEMBLY	1
9	58430J670000	CLAMP ASSEMBLY II	1
10	92360P320005	BRAKE SWITCH WIRE	1
11	57042P410000	ABS INSPECTION SOCKET INSTALLATION RUBBER	1
12	02120J690000	ON BOARD TOOL STRAP	1
13	92059P060000	INTELLIGENT CONTROLLER	1
14	92056U430000	PROTECTIVE SLEEVE FOR POSITIVE WIRE	1
15	49371T620001	STOP VALVE CORD CLAMP	2
16	65508P290000	EDGING STRIP	1
17	88000P540300	SLEEVE LOCK	1
18	88100N290000	POWER LOCK	1
19	88900P160000	KEY BLANK	1
20	88400P420000	TANK LOCK	1
21	88800P540000	SEAT CUSHION LOCK	1
22	58800L690001	SEAT CUSHION LOCK	1
23	96700K060000	STARTING DIODE	1
24	96031P600000	SHEET METAL BUCKLE	1
25	96032P600000	SHEET METAL BUCKLE	2
26	58306P160000	POWER BOLT SHEATH	1
27	96820P060000	MINI FUSE/15A	5
28	96840P060000	MINI FUSE/25A	1
29	96890P060000	CHIP FUSE/40A	1
30	92054L790000	TCS SWITCH ADAPTER	1

F20 ENGINE ATTACHMENT ASSY.



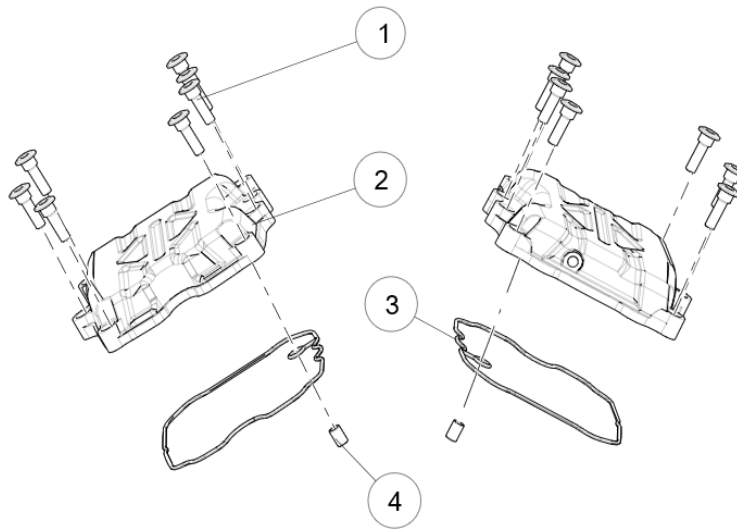
NO.	CODE	EN DESCRIPTION	Qty/Unit
1	C2670013MMN9	ENGINE	1
2	209073090030	RELEASE LEVER	1
3	289026590010	STEPPER MOTOR	1
4	57550PBD0000	HIGH PRESSURE PACKAGE MOUNTING BASE	1
5	08005P620000	THIN HEXAGON FLANGE SCREW M8×16	2
6	65618J000000	RUBBER PAD OF GUARD PLATE	3
7	08002P620001	HEXAGON SOCKET FLANGE SCREW M6×12	2
8	96200P540003	LEFT HIGH VOLTAGE PACKAGE	1
9	96200P540002	HIGH PRESSURE BAG	1
10	08002P620006	HEXAGON SOCKET FLANGE SCREW M6×40	2
11	B0700000060H	SPRING WASHER 6	2
12	B0702000060H	WASHER Φ6	2
13	16927659MM01	SPROCKET HOUSING,GOLDEN MM	1
14	160306030070	HEXAGON TORX BOLT M6×30	3
15	169126280010	RIGHT COVER PLATE	1
16	50307J140302	PLATE CLAMP 10	1

F21 TOOL KIT ASSY.



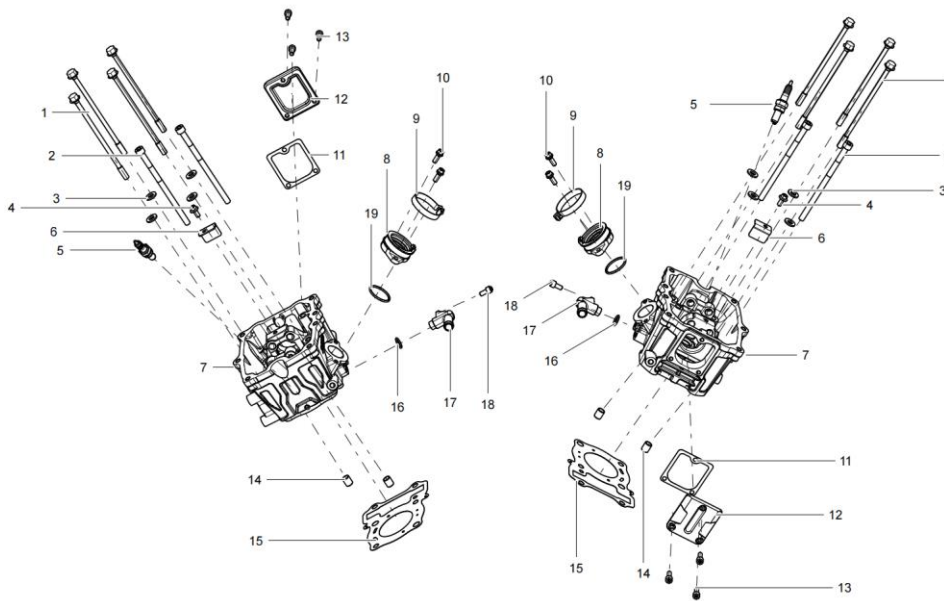
NO.	CODE	EN DESCRIPTION	Qty/Unit
1	02100N220003	VEHICLE TOOLS	1
2	02110P250000	TOOL BAG	1
3	02106P250000	HANDLE AS	1
4	02103P250000	DOUBLE ENDED SCREWDRIVER	1
5	B200113016PE	DOUBLE END OPEN-END WRENCH 13-16	1
6	B2004T250004	HEXAGON SOCKET WRENCH T25	1
7	B2004T300004	HEXAGON SOCKET WRENCH T30	1
8	B2004T400004	HEXAGON SOCKET WRENCH T40	1
9	02401N700000	INSTRUCTIONS	1

E01 CYLINDER COVER ASSEMBLY



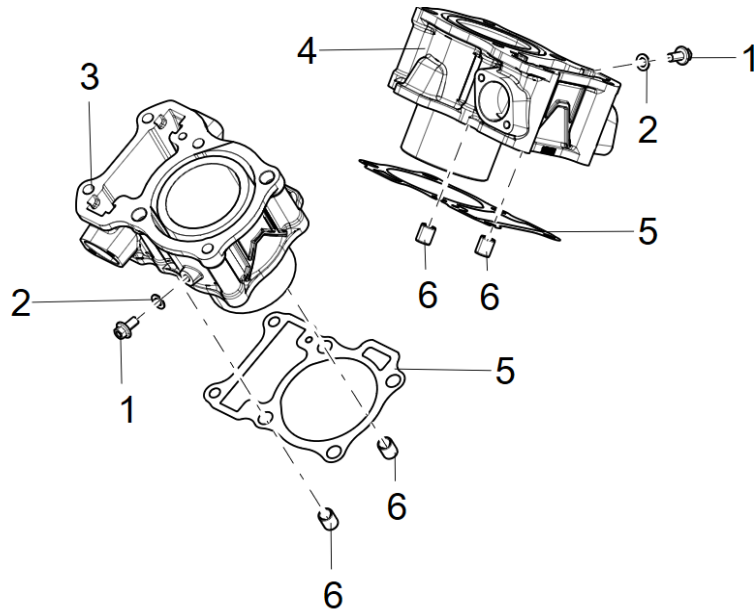
NO.	CODE	EN DESCRIPTION	Qty/Unit
1	109516590000	CYLINDER HEAD COVER BOLT	14
2	10931659MM01	COVER AS-CYLINDER HEAD	2
3	109026590000	CYLINDER HEAD COVER O-RING	2
4	160056030000	LOCATING PIN	2

E02 CYLINDER HEAD



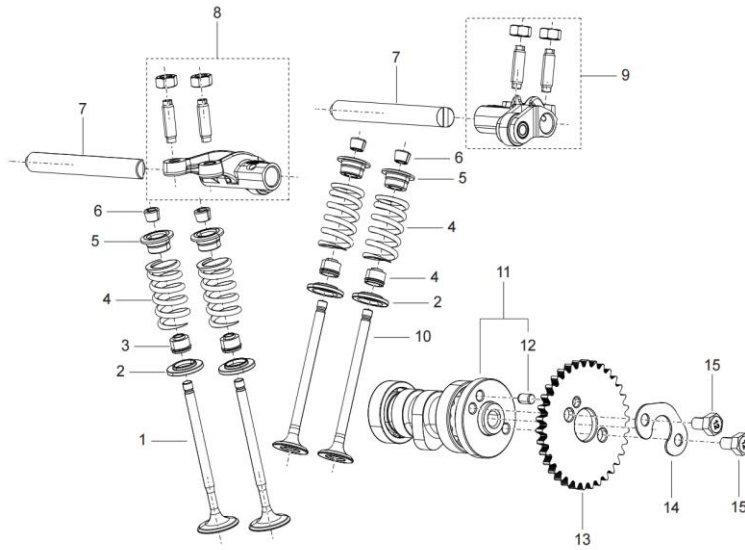
NO.	CODE	EN DESCRIPTION	Qty/Unit
1	109126590000	CYLINDER HEAD BOLT	8
2	B0205081406H	SCREW M6×140	4
3	120093090000	CYLINDER HEAD BOLT GASKET	8
4	B0107060126H	HEXAGON FLANGE BOLT M6×12	2
5	299073160000	SPARK PLUG	2
6	109236590000	ROCKER SHAFT BAFFLE	2
7	10905659N901	MACHINED AS-CYLINDER HEAD	2
8	109196590000	CYLINDER HEAD SIDE COVER GASKET	2
9	10910659N901	CYLINDER HEAD SIDE COVER	2
10	B0226060166P	HEXAGON SOCKET TORX CHEESE HEAD SCREW M6×16	6
11	130023090000	CYLINDER BLOCK LOCATING PIN	4
12	109076590000	CYLINDER HEAD GASKET	2
13	109226590000	O-RING OF CYLINDER HEAD OUTLET PIPE	2
14	109216590020	CYLINDER HEAD OUTLET PIPE	2
15	160306030010	HEXAGON TORX BOLT M6×12	2
16	109166590000	INTAKE PIPE O-RING	2
17	119016590000	INTAKE MANIFOLD ASSEMBLY	2
18	109116590000	INTAKE ELBOW CLAMP	2
19	B0107060156H	BOLT M6×15	4

E03 CYLINDER ASSY



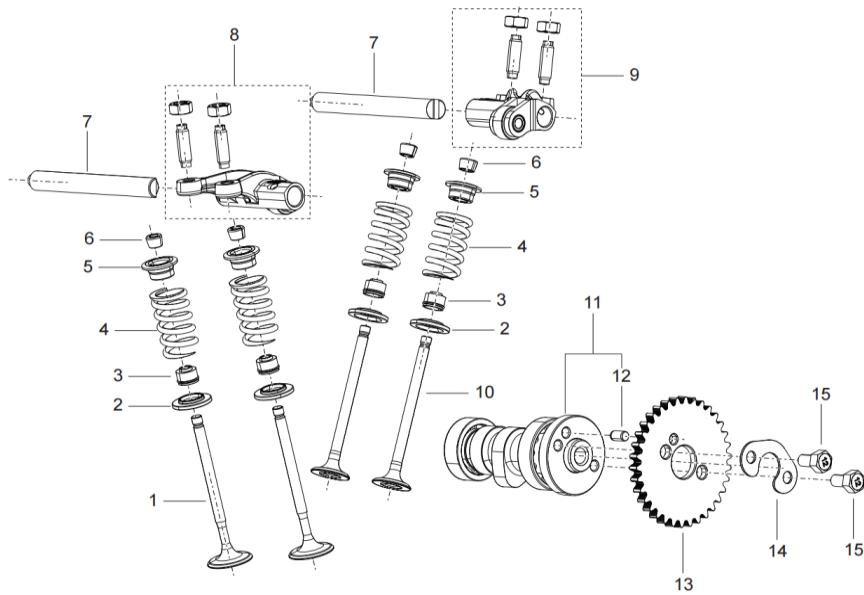
NO.	CODE	EN DESCRIPTION	Qty/Unit
1	B0107060126H	HEXAGON FLANGE BOLT M6×12	2
2	150013070000	GASKET 6.5×12×1	2
3	13901659N902	CYLINDER BLOCK AS-FRONT	1
4	13901659N901	CYLINDER BLOCK AS-REAR	1
5	139026590000	CYLINDER GASKET	2
6	130023090000	LOCATING PIN	4

E04 FRONT VALVE MECHANISM SUB-ASSEMBLY



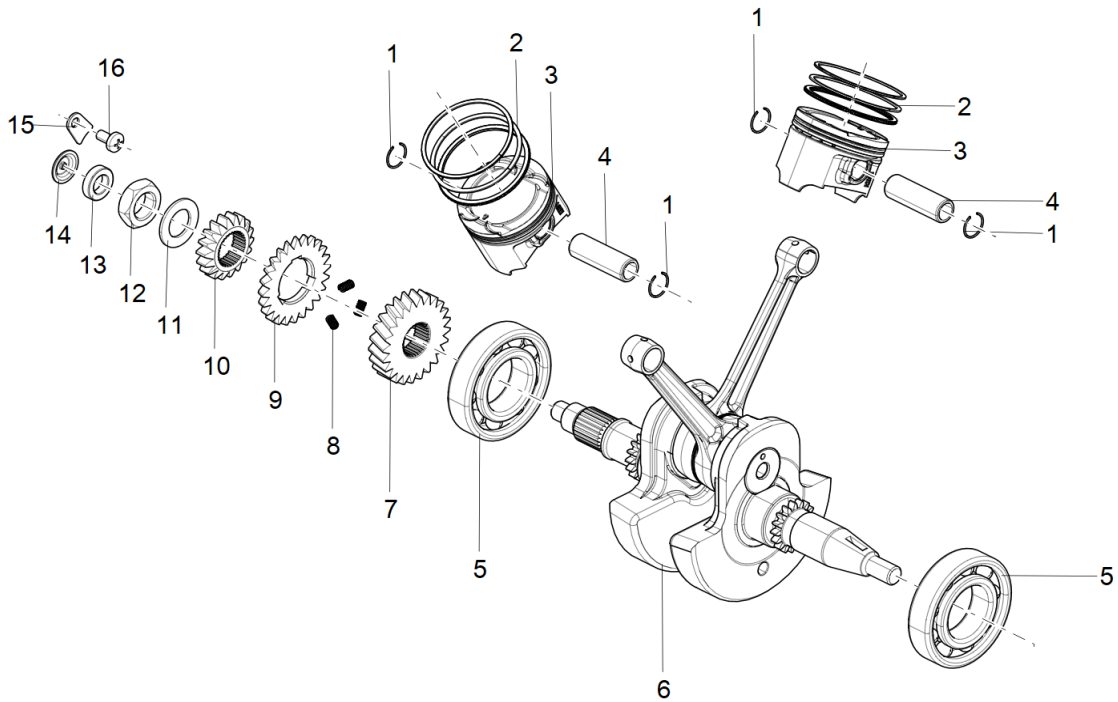
NO.	CODE	EN DESCRIPTION	Qty/Unit
1	129186590000	INLET VALVE	2
2	129216590000	VALVE SPRING LOWER SEAT	4
3	120013050000	VALVE SEAL	4
4	129256590000	VALVE SPRINGS	4
5	129206590000	VALVE SPRING SEAT	4
6	129226590000	VALVE LOCK CLAMP	8
7	129166590000	ROCKER ARM SHAFT	2
8	129346590000	INTAKE ROCKER ARM ASSEMBLY	1
9	129356590000	EXHAUST ROCKER ARM ASSEMBLY	1
10	129196590000	THE EXHAUST VALVE	2
11	129096590000	FRONT CAMSHAFT ASSEMBLY	1
12	B090105008AA	LOCATING PIN 5×8	1
13	129036590000	CAMSHAFT SPROCKET	1
14	129046590000	CAMSHAFT SPROCKET PRESS PLATE	1
15	129016600000	BOLT M6×11	2

E05 BACK VALVE MECHANISM SUB-ASSEMBLY



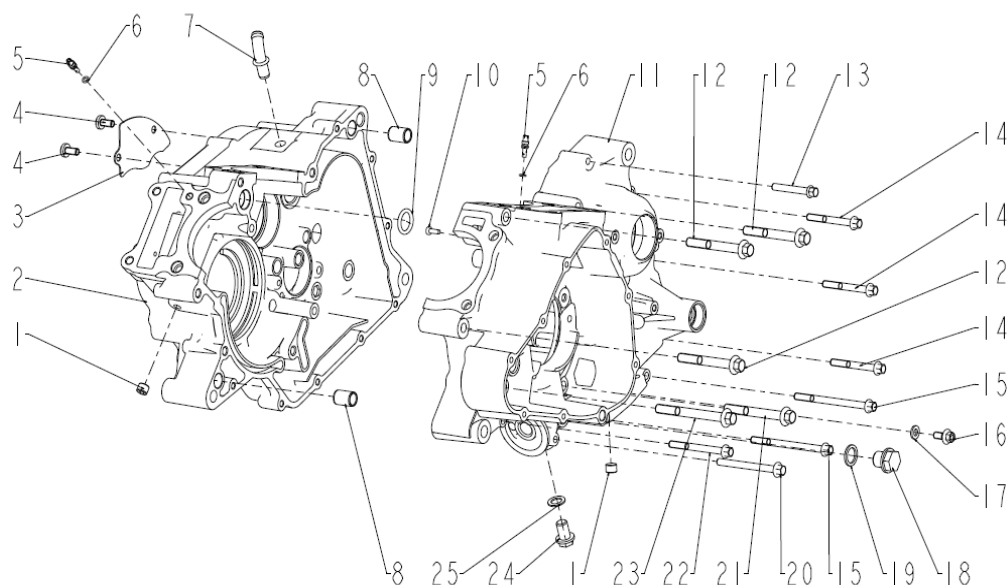
NO.	CODE	EN DESCRIPTION	Qty/Unit
1	129186590000	INLET VALVE	2
2	129216590000	VALVE SPRING LOWER SEAT	4
3	120013050000	VALVE SEAL	4
4	129256590000	VALVE SPRINGS	4
5	129206590000	VALVE SPRING SEAT	4
6	129226590000	VALVE LOCK CLAMP	8
7	129166590000	ROCKER ARM SHAFT	2
8	129346590000	INTAKE ROCKER ARM ASSEMBLY	1
9	129356590000	EXHAUST ROCKER ARM ASSEMBLY	1
10	129196590000	THE EXHAUST VALVE	2
11	129106590000	REAR CAMSHAFT ASSEMBLY	1
12	B090105008AA	LOCATING PIN 5×8	1
13	129036590000	CAMSHAFT SPROCKET	1
14	129046590000	CAMSHAFT SPROCKET PRESS PLATE	1
15	129016600000	BOLT M6×11	2

E06 PISTON,CONNECTING ROD & CRANKSHAFT ASSY



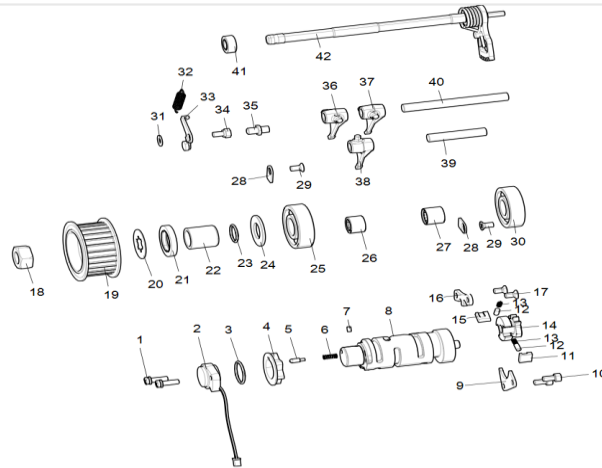
NO.	CODE	EN DESCRIPTION	Qty/Unit
1	179153070000	PISTON PIN RETAINER	4
2	170016590000	PISTON RING ASSEMBLY	2
3	179136590000	THE PISTON	2
4	179146590000	THE PISTON PIN	2
5	B12016020702	ROLLING BEARING	2
6	179016700000	CRANKSHAFT CONNECTING ROD ASSEMBLY	1
7	170036700000	PRIMARY DRIVE GEAR	1
8	170066590000	PRIMARY DRIVE GEAR SPRING	3
9	170046700000	PRIMARY DRIVE SUB-WHEEL	1
10	179106590000	PUMP DRIVE GEAR	1
11	170146590000	WATER PUMP DRIVES GEAR STOP WASHER	1
12	170076590000	HEX NUT M18×1.5	1
13	170086590000	RIGHT CRANK OIL SEAL	1
14	170096590010	CLUTCH COVER NOZZLE	1
15	170236590000	RIGHT CRANK OIL SEAL PLATE	1
16	B0107060126H	SCREW M6×12	1

E07 CRANKCASE ASSY



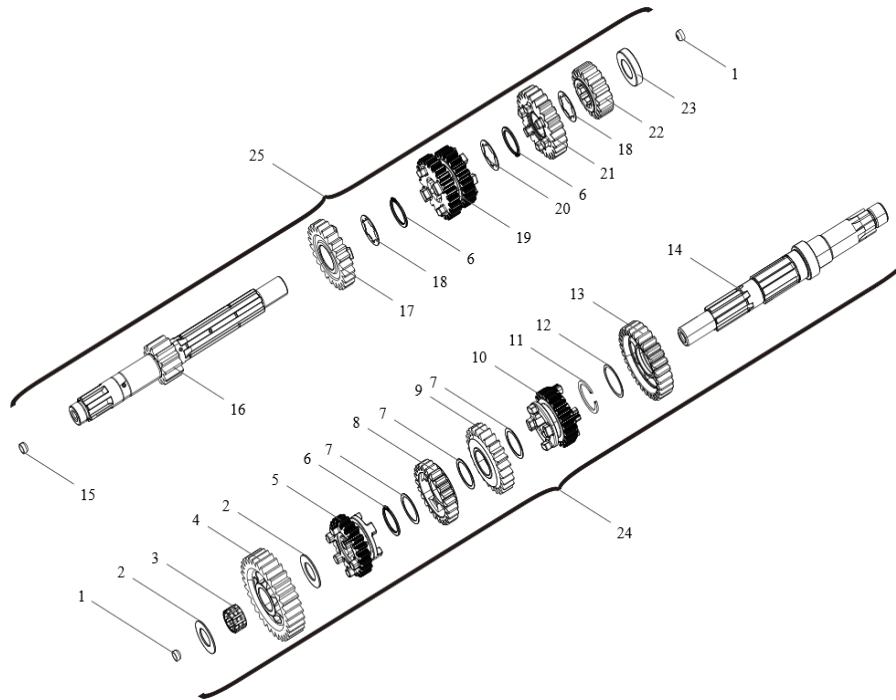
NO.	CODE	EN DESCRIPTION	Qty/Unit
1	159146590000	PLUG	2
2	15903669N901	RIGHT CRANKCASE ASSEMBLY	1
3	159096590000	VENTILATION PANEL	1
4	B0107060126H	HEXAGON FLANGE BOLT M6×12	2
5	159356570000	NOZZLE	2
6	159566570000	O-RINGS	2
7	159136590000	VENT	1
8	150043090000	THE POSITIONING PIN	2
9	159116590000	O-RING 16.8×3.1	1
10	159126590000	PIN	1
11	15902669N901	LEFT CRANKCASE ASSEMBLY	1
12	160306030090	HEXAGON SOCKET BOLT M6×40	1
13	160306030380	OUTER HEXAGON INNER PLUM BOLT M8×60	3
14	160306030110	HEXAGON SOCKET BOLT M6×50	3
15	160306030140	HEXAGON SOCKET BOLT M6×85	2
16	B0107060126H	HEXAGON FLANGE BOLT M6×12	1
17	150013070000	WASHER 6	1
18	169326590000	OIL PLUG	1
19	150093090000	SEALING GASKET 14×20×1.5	1
20	160306030130	HEXAGON SOCKET BOLT M6×65	1
21	08014P620009	HEXAGON SOCKET HEX BOLTS WITH FLOWER CONCAVE FLANGE M8×65	1
22	160306030120	HEXAGON SOCKET BOLT M6×60	1
23	150316030110	BOLT M8×75	1
24	159046590000	DRAIN BOLT M10×1.25×16	1
25	159346190000	COPPER GASKETS	1

E08 GEAR SHIFT MECHANISM ASSEMBLY



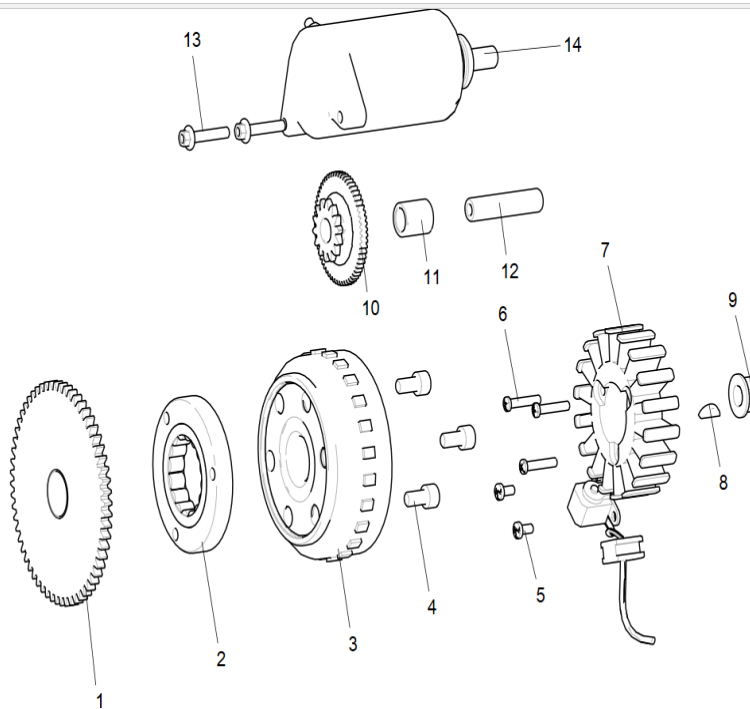
NO.	CODE	EN DESCRIPTION	Qty/Unit
1	B1308050200H	COMBINATION SCREW M5×20	2
2	150196030060	GEAR SENSOR	1
3	219386590010	O-RINGS 25×2.5	1
4	219396590000	SHIFT CAM POSITIONING DISC	1
5	210323090000	GEAR CHANGE CONTACT	1
6	210313090000	CONTACT SPRING	1
7	B091404006B0	PIN 4×6	1
8	219056590000	SHIFT CAM COMBINATION	1
9	250063090000	RATCHET ON THE BAFFLE	1
10	160306030010	HEXAGON SOCKET BOLT M6×12	2
11	210293090000	LEFT CLICK	1
12	210303090000	RATCHET NEEDLE	2
13	210283090000	RATCHET SPRING	2
14	250083090000	VARIABLE GEAR RATCHET ASSEMBLY	1
15	210273090000	RIGHT CLICK	1
16	250033090000	RATCHET LOWER BAFFLE	1
17	B0201060126H	CROSS RECESSED COUNTERSUNK HEAD SCREW M6×12	2
18	210063090100	LOCK NUT M16×1.5	1
19	219536590000	SPROCKET COMPONENTS	1
20	219316590000	SPROCKET STOP WASHER	1
21	210073090000	OIL SEAL 27×40×6	1
22	210146590000	SPROCKET BUSHING	1
23	210156590000	OUTPUT SPROCKET O-RING 19×2.4	1
24	210106590000	OIL SEAL RING	1
25	B12016632202	ROLLING BEARING	1
26	210116590000	DRIVE SHAFT RIGHT BEARING	1
27	B1212K151800	NEEDLE ROLLER BEARING 15×21×18	1
28	210186590010	BEARING DAMPER	1
29	B0201060126H	CROSS RECESSED COUNTERSUNK HEAD SCREW M6×12	1
30	B12016030402	DEEP GROOVE BALL BEARING 6304/P53 Z2	1
31	219496590000	SHIFTER POSITIONING PLATE GASKET	1
32	219506590000	SHIFT POSITIONING PLATE TENSION SPRING	1
33	219326590000	SHIFT CAM POSITIONING PLATE COMBINATION	1
34	219516590000	SHIFT PLATE BOLTS	1
35	150123090000	LOCATING BOLT	1
36	219116590000	SHIFTING FORK III	1
37	219126590000	SHIFT FORK II	1
38	219106590000	SHIFT FORK I	1
39	219083090000	FORK SHAFT (MIDDLE)	1
40	219093090000	FORK SHAFT	1
41	210373090000	OIL SEAL 12×22×9	1
42	219016590000	SHIFT SHAFT ASSEMBLY	1

E09 MAIN AND AUXILIARY SHAFT ASSEMBLY



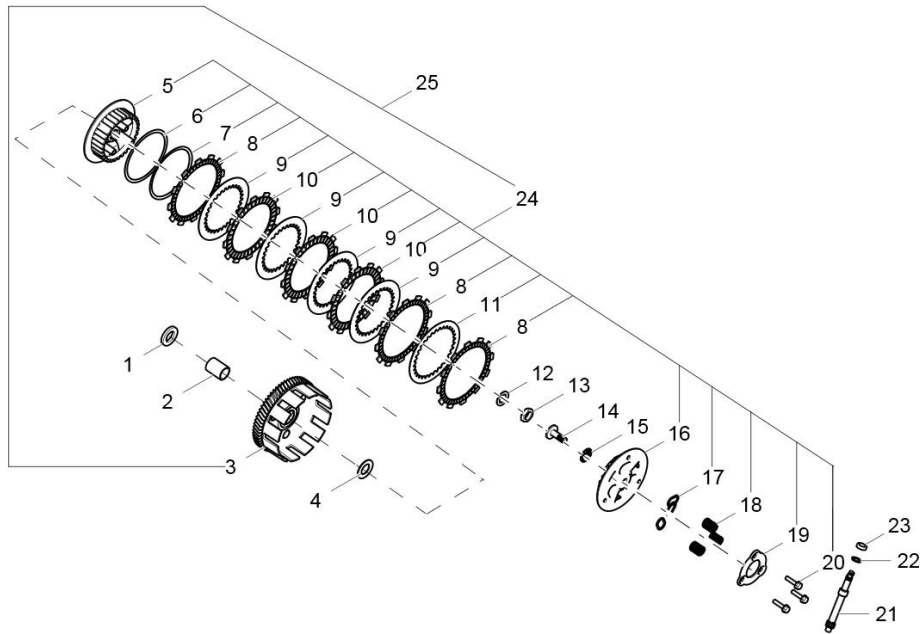
NO.	CODE	EN DESCRIPTION	Qty/Unit
1	210216590000	BLOCK 2	2
2	210176590000	1 GEAR DRIVEN GEAR STOP WASHER 15×27×1	2
3	210076590000	1 GEAR DRIVEN GEAR BEARING	1
4	219236590000	AUXILIARY SHAFT FIRST GEAR	1
5	219276590000	5 GEAR DRIVEN GEAR	1
6	210086590000	CIRCLIP 20	3
7	219626590010	GASKET 20.5×25×0.5	3
8	219266590000	4 DRIVE DRIVEN GEAR	1
9	219256590000	3 DRIVE DRIVEN GEAR	1
10	219286590010	6 DRIVE DRIVEN GEAR	1
11	219616590010	RETAINING RING 23	1
12	210196590010	2 GEAR DRIVEN GEAR WASHER 23.2×27×0.5	1
13	219246590010	2 GEAR DRIVEN GEAR ASSEMBLY	1
14	219226590010	AUXILIARY SHAFT	1
15	210206590000	BLOCK 1	1
16	219146590000	THE SPINDLE	1
17	219196590000	DRIVE GEAR 5	1
18	210196590000	2 GEAR DRIVEN GEAR LEFT STOP WASHER 20.5×25×0.5	2
19	210026590000	3 &4 DRIVE GEAR	1
20	210096590000	3 BLOCK DRIVEN GEAR STOP WASHER	1
21	219206590000	6 DRIVE GEAR	1
22	219166590000	SECOND GEAR DRIVE GEAR	1
23	210166590000	SPINDLE LEFT BUSHING	1
24	219216590010	COMBINATION COUNTERSHAFT	1
25	219136590000	THE SPINDLE COMBINATION	1

E10 ELECTRIC STARTER ASSY



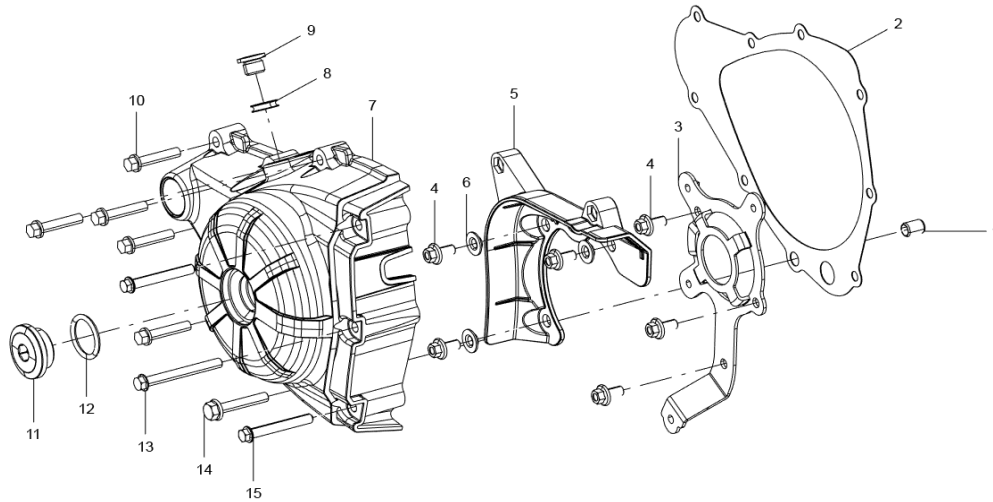
NO.	CODE	EN DESCRIPTION	Qty/Unit
1	249076590000	START LARGE GEAR ASSEMBLY	1
2	249106590000	OVERRUNNING CLUTCH ASSEMBLY	1
3	299026590000	THE FLYWHEEL COMBINATION	1
4	240025140000	SCREW M8×15	3
5	B0205050126H	SCREW M5×12	2
6	B0205050306H	SCREW M5×30	3
7	299036590000	COMBINATION OF THE STATOR	1
8	170016590010	WOODRUFF KEY 4×6.5×16	1
9	240013060110	NUT M12×1.25	1
10	249046590000	ELECTRICALLY START IDLE GEAR	1
11	249066590000	START IDLER BUSHING	1
12	240023090000	PIN	1
13	160306030070	HEXAGON SOCKET BOLT M6×30	2
14	249016590000	THE STARTER MOTOR	1

E11 CLUTCH SYSTEM



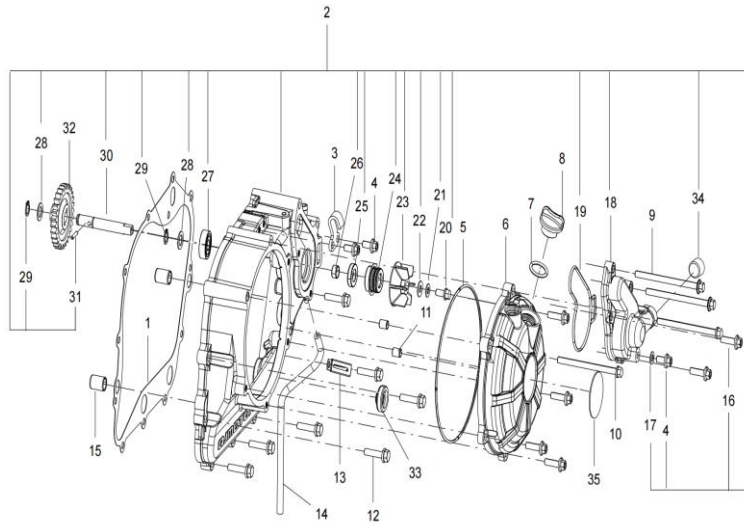
NO.	CODE	EN DESCRIPTION	Qty/Unit
1	209186590000	PRIMARY DRIVEN GEAR GASKET	1
2	209176590000	CLUTCH BIG HUB LINER	1
3	209026700000	CLUTCH ACTIVE HUB ASSEMBLY	1
4	209136590000	CLUTCH LARGE HUB GASKET	1
5	200126590010	CLUTCH DRIVEN HUB	1
6	209316590010	THE GASKET	1
7	209326590010	BUTTERFLY SPRING	1
8	209156590000	FRICITION PLATE	3
9	209166590010	CLUTCH DISC I	4
10	209286590010	CLUTCH ACTIVE FRICTION PLATE II	3
11	209306590010	CLUTCH PLATE II	1
12	200154050000	THE GASKET	1
13	209146590000	CLUTCH LOCK NUT	1
14	209196590000	CLUTCH DISENGAGES RACK	1
15	B1203J102400	THRUST NEEDLE ROLLER AND CAGE ASSEMBLY AXK1024	1
16	209226590010	CLUTCH PLATE	1
17	200086590010	SPRING GASKET	3
18	200096590010	CLUTCH SPRING	3
19	200076590010	A SPRING CLAMP	1
20	B0109060256H	BOLT M6×25	3
21	209246590000	CLUTCH ROCKER GEAR	1
22	209266590000	CLUTCH PULL ROD OIL SEAL GASKET	1
23	209256590000	OIL SEAL 10×17×5	1
24	209036590010	CLUTCH CENTRAL ASSEMBLY	1
25	209016700000	CLUTCH ASSEMBLY	1

E12 LEFT COVER ASSY



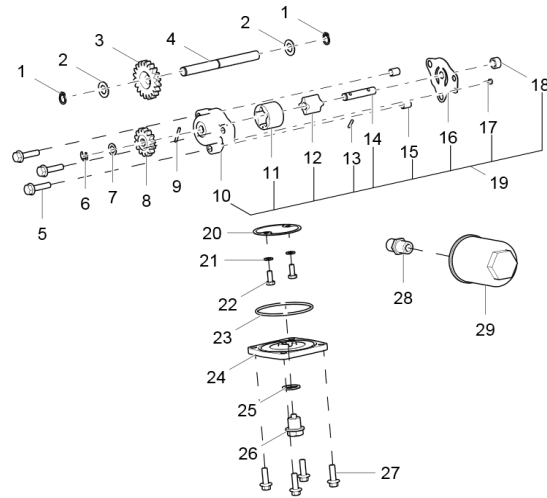
NO.	CODE	EN DESCRIPTION	Qty/Unit
1	150112070000	LOCATING PIN FROM $\Phi 7 \times \Phi 9 \times 12$	1
2	169076590000	LEFT COVER GASKET	1
3	169346590000	SPROCKET BRACKET ASSEMBLY	1
4	B0107060126H	BOLT M6×12	6
5	169426590010	SPROCKET INNER COVER ASSEMBLY	1
6	169316590000	THE FLANGE GASKET	3
7	16902659MM01	MAGNETO COVER	1
8	109256520000	GASKET	1
9	16020309011X	PLUG	1
10	160306030070	BOLT M6×30	5
11	16908657MM00	CRANKSHAFT OBSERVATION HOLE PLUG	1
12	169316570000	O-RINGS	1
13	B0107060556H	BOLT M6×55	1
14	160306030080	HEXAGON SOCKET BOLT M6×35	1
15	B0107060456H	BOLT M6×45	2

E13 RIGHT COVER ASSY



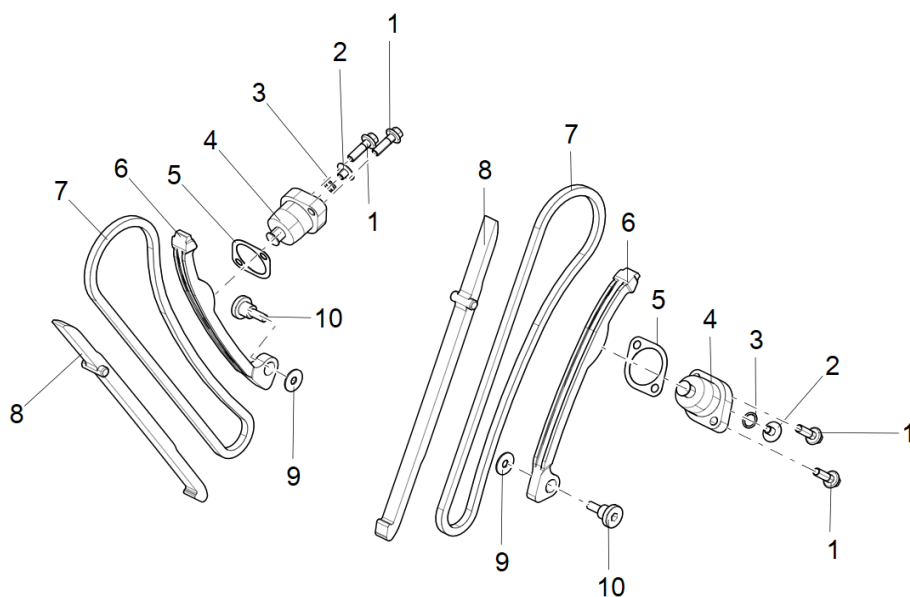
NO.	CODE	EN DESCRIPTION	Qty/Unit
1	169116590000	CLUTCH INNER COVER GASKET	1
2	16960659N901	WATER PUMP RIGHT COVER ASSEMBLY	1
3	169376590000	CLUTCH COVER CABLE CLAMP	1
4	160306030010	HEXAGON SOCKET BOLT M6×12	3
5	169336590000	O-RING FOR RIGHT COVER OUTER COVER	1
6	16920659MM1X	CLUTCH COVER	1
7	159116590000	O-RING 16.8×3.1	1
8	16006309MM01	FILLER PORT PLUG	1
9	160306030140	HEXAGON SOCKET BOLT M6×85	2
10	160306030290	BOLT M6×80	2
11	150016080000	DOWEL Φ 8×10	2
12	160306030050	BOLT M6×25	7
13	58430J000000	WIRE CLIP COMPONENT	1
14	55065J000000	THE TUBING 3.5×7.5	1
15	150043090000	THE POSITIONING PIN	2
16	160306030030	HEXAGON SOCKET BOLT M6×20	1
17	170226090000	GASKET 6.5×12×1	1
18	27972659N901	PUMP COVER	1
19	279316590000	SEAL RING OF PUMP COVER	1
20	B0101060122H	HEX BOLTS M6×12	1
21	279336590000	IMPELLER GASKET	1
22	279376590000	IMPELLER SEAL WASHER	1
23	27921659001X	THE IMPELLER	1
24	279396590000	WATER SEAL	1
25	279406590000	OIL SEAL 10×22×5	1
26	279656590000	BUSHING 10×12×5	1
27	B12016000003	BEARING 6000	1
28	159236250000	THE GASKET	2
29	B080100010A6	SHAFT WITH ELASTIC RETAINER 10	2
30	279226590000	WATER PUMP SHAFT	1
31	B090103016B0	PIN 3×16	1
32	279446590000	GEAR PUMP	1
33	160083090000	OIL LEVEL INDICATOR ASSEMBLY	1
34	279716590000	WATER PUMP COVER PLUG	1

E14 OIL PUP SYSTEM



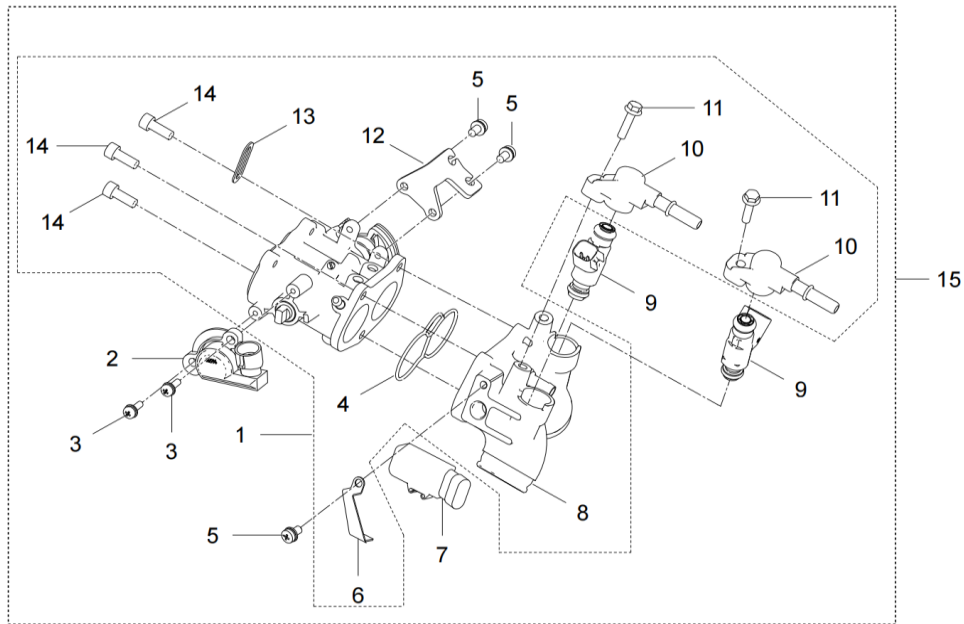
NO.	CODE	EN DESCRIPTION	Qty/Unit
1	B08010001000	SHAFT WITH ELASTIC RETAINER 10	2
2	260196590000	OIL PUMP IDLER WHEEL GASKET	2
3	260156590000	OIL PUMP IDLER	1
4	260166590000	OIL PUMP IDLER SHAFT	1
5	B0107060256H	HEXAGON FLANGE BOLTS M6×25	3
6	B08030000601	THE OPENING RETAINING RING IS Φ 6	1
7	260146590000	OIL PUMP DRIVES GEAR GASKET	1
8	289086590000	DRIVEN GEAR OF OIL PUMP	1
9	B210125198P2	PIN 2.5×19.8	1
10	269106590000	THE OIL PUMP BODY	1
11	269166590000	OUTER ROTOR	1
12	269176590000	IN THE ROTOR	1
13	B210125118P2	PIN 2.5×11.8	1
14	269186590000	SHAFT	1
15	150016080000	DOWEL Φ 8×10	2
16	269156590000	COVER PLATE	1
17	B0505300080H	TAPPING SCREWS M3×8	1
18	240023370000	OVERRIDE CLUTCH SLEEVE	1
19	289076590000	OIL PUMP ASSEMBLY	1
20	150103090000	FILTER ELEMENTS	1
21	100084050000	WASHER 5	2
22	B0103050126H	HEXAGON HEAD BOLT M5×12	2
23	B190106050B0	O-RING SEAL RING	1
24	15008659BG00	OIL FILTER COVER	1
25	150093090000	SEALING GASKET	1
26	260086590000	OIL DRAIN BOLT	1
27	B0107060186H	HEXAGON FLANGE BOLTS M6×18	4
28	260116590000	OIL FILTER JOINT	1
29	260106590000	OIL FILTER	1

E15 TIMING TENSIONING MECHANISM SYSTEM



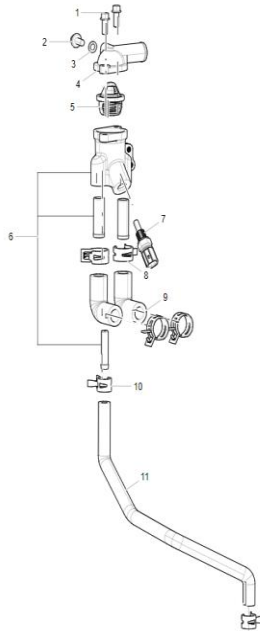
NO.	CODE	EN DESCRIPTION	Qty/Unit
1	160306030030	HEX FLANGE BOLTS M6×20	4
2	14005305001X	NAIL WALL	2
3	210043050000	O-RINGS	2
4	14904659N901	CHAIN TENSIONER ASSEMBLY	2
5	140036590000	TENSIONER GASKET	2
6	149036590000	CHAIN TENSIONING PLATE	2
7	129016590000	TIMING CHAIN	2
8	149026590000	CHAIN GUIDE	2
9	140026590000	TENSIONING PLATE BOLT WASHER	2
10	140016590000	TENSION PLATE BOLTS	2

E16 THROTTLE BODY SYSTEM



NO.	CODE	EN DESCRIPTION	Qty/Unit
1	289006590000	THROTTLE SET	1
2	280206590010	THROTTLE VALVE POSITIONING SENSOR (TPS)	1
3	B1308040140H	SCREW ASSEMBLY M4×14	2
4	289206590000	O-RING (FLANGED BODY)	1
5	B1308040100H	COMBINATION SCREW M4×10	3
6	289466590000	CARD HOLDER	1
7	280096590000	INTAKE TEMPERATURE PRESSURE SENSOR	1
8	289176590000	AIR INTAKE PIPE BENDING	1
9	289035210000	THE NOZZLE	2
10	289216590000	THE NOZZLE CAP	2
11	B0107050206H	HEXAGON FLANGE BOLTS M5×20	2
12	289406590000	ANCHOR SUPPORT	1
13	289156590000	WIRE CLIP	1
14	B0205060166H	HEXAGON SOCKET HEAD SCREW M6×16	3
15	289016590020	THROTTLING BODY ASSEMBLY	1

E17 THERMOSTAT ASSY.



NO.	CODE	EN DESCRIPTION	Qty/Unit
1	B0107060146H	HEX FLANGE BOLTS M6×14	2
2	B0107060126H	HEX FLANGE BOLTS M6×12	1
3	150013070000	WASHER 6	1
4	27953659BG00	THERMOSTAT COVER	1
5	279166590000	THERMOSTAT	1
6	27952659BG00	HOUSING ASSEMBLY UNDER THERMOSTAT	1
7	270014590000	WATER TEMPERATURE SENSOR	1
8	150226280000	CLAMP	4
9	279596590000	THERMOSTAT INLET PIPE	2
10	279706590000	PLATE CLAMP 14	2
11	279576590000	THERMOSTAT BYPASS HOSE	1