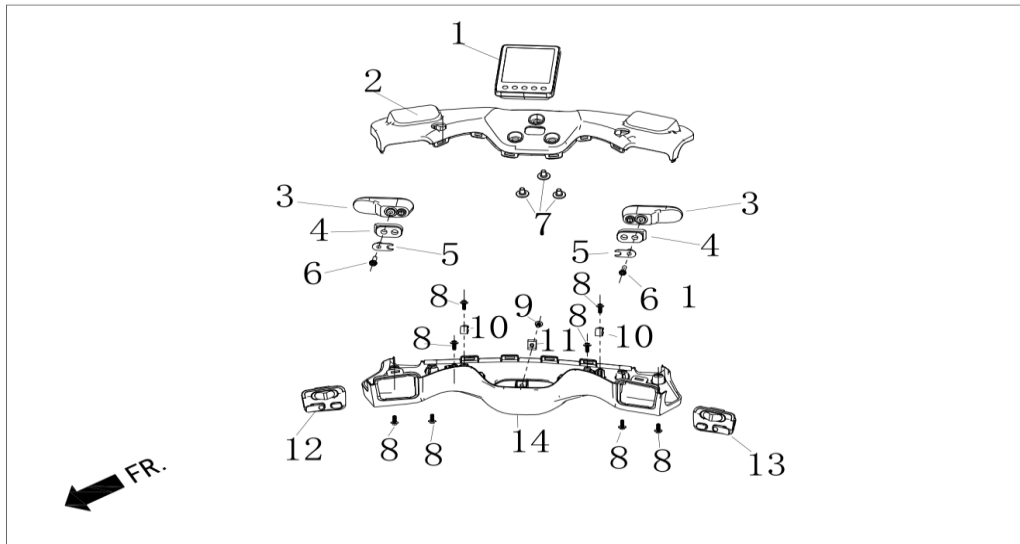


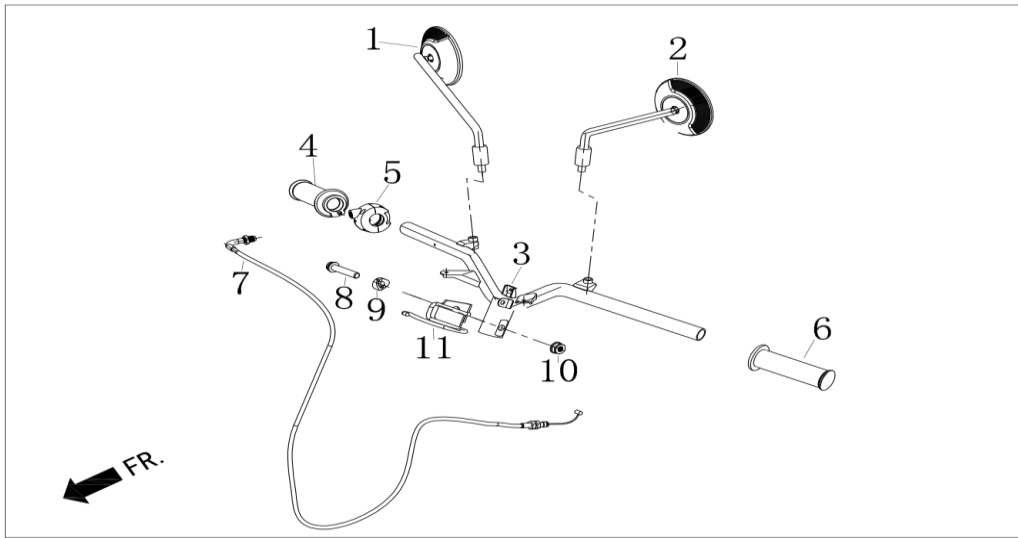
F01 HEAD LIGHT

ITEM NO.	PARTS NUMBER	PARTS NAME(EN)	QTY
1	93503-04012	HEXALOBULAR SOCKET SELF DRILLING SCREW WITH TAPPING SCREW THREAD 4.2*12	5
2	33100-ZLAJ-9000	HEAD LIGHT COMP	1



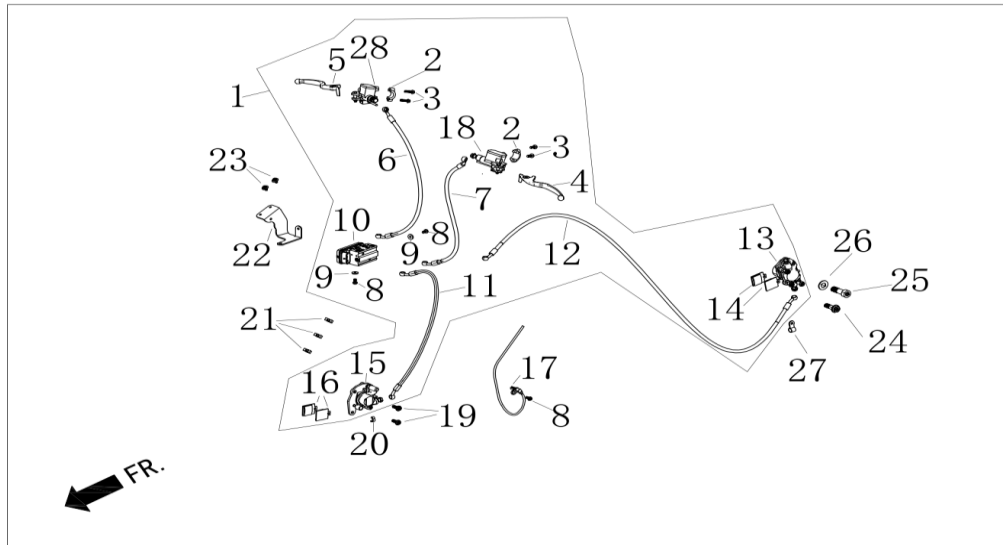
F02 SPEEDOMETER

ITEM NO.	PARTS NUMBER	PARTS NAME(EN)	QTY
1	37200-ZLAJ-9000	INSTRUMENT ASSY.	1
2	53207-ZLAJ-9000	UP COVER,INSTRUMENT (TOP)	1
	53207-ZLAJ-9000-RD	UP COVER,INSTRUMENT (TOP)-RED	1
	53207-ZLAJ-9000-BL	UP COVER,INSTRUMENT (TOP)-BLUE	1
3	33400-ZLAJ-9000	UP COVER,INSTRUMENT (TOP)	2
4	33473-ZLAJ-9000	BRACKET ,TURN SIGNALS	2
5	33474-ZLAJ-9000	RUBBER ,TURN SIGNALS	2
6	94701-05016	BRACKET ,TURN SIGNALS	2
7	94704-06012	HEXALOBULAR FLOWER BOLT M5*16	3
8	93503-04012	HEXALOBULAR STEP BOLT (LARGE FACE)M6*12 ϕ 9*2.5-M6*9.5	8
9	93403-05016	HEXALOBULAR SOCKET SELF DRILLING SCREW WITH TAPPING SCREW THREAD 4.8*16	1
10	97401-J3AN-9000	CLIP	2
11	90601-04000	NUT SPRING 4mm	1
12	3520A-ZLAJ-9000	LEFT SWITCHES	1
13	3515A-ZLAJ-9000	RIGHT SWITCHES	1
14	53206-ZLAJ-9000	LOWER COVER ,HANDLEBAR	1
	53206-ZLAJ-9000-RD	LOWER COVER ,HANDLEBAR-RED	1
	53206-ZLAJ-9000-BL	LOWER COVER ,HANDLEBAR-BLUE	1



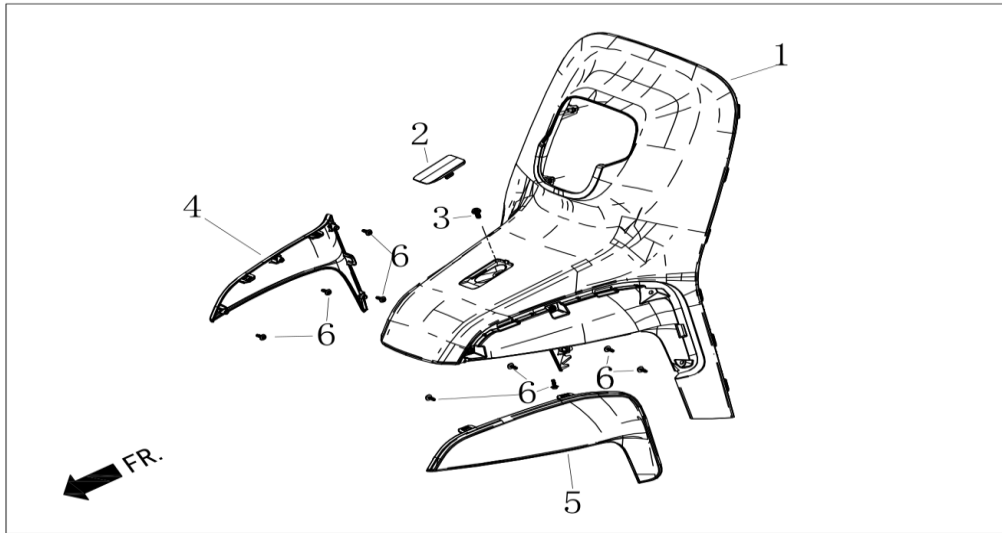
F03 HANDLE LEBAR

ITEM NO.	PARTS NUMBER	PARTS NAME(EN)	QTY
1	88110-LKAH-9000	R MIRROR COMP	1
2	88120-LKAH-9000	L MIRROR COMP	1
3	53100-ZLAJ-9000	HADNDLE BAR	1
4	53140-LKAH-9000	R HANDLE GRIP	1
5	53170-ZLAJ-9000	THROTTLE HOLDER	1
6	53150-LKAH-9000	L HANDLE GRIP	1
7	17910-LKAH-9100	THROTTLE CABLE A(PULL)	1
8	94701-10050	HEXAGON SPLINE BOLT M10*50	1
9	53125-J3AN-9000	BUSH,HANDLEBAR	1
10	95401-10000	NUT U FLANGE 10mm	1
11	53101-ZLAJ-9000	DIRECTIONAL CABLE BRACKET	1



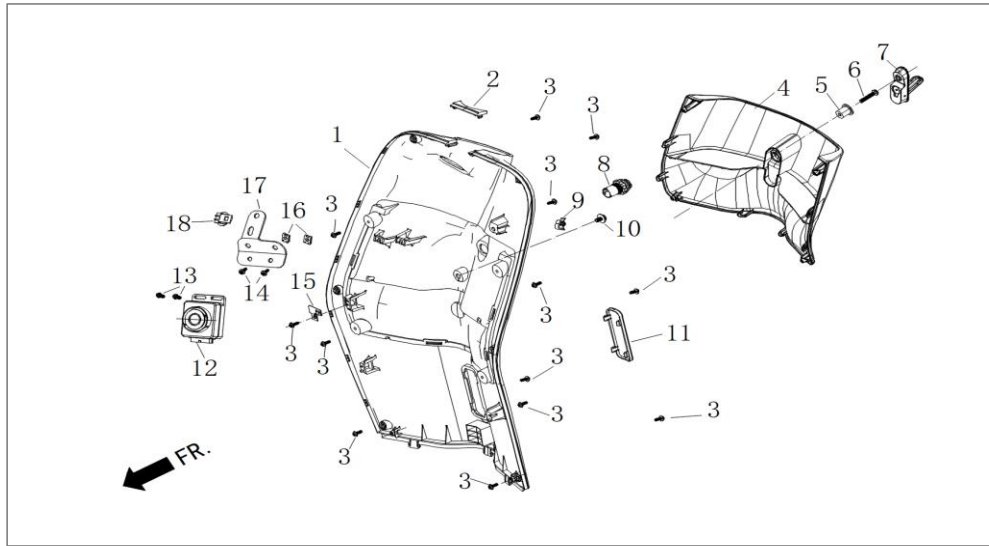
F04 BRAKE SYSTEM

ITEM NO.	PARTS NUMBER	PARTS NAME(EN)	QTY
1	4550A-ZLAJ-8000	DISC BRAKE ASSY.	1
2	43501-J3AN-9000	HOLDER M/C	2
3	92301-05022	HEXAGONAL FLANGE BOLT M5*22	4
4	43520-ZLAJ-9000	HANDLE,RR BRAKE	1
5	45520-J3AN-9000	HANDLE,FR BRAKE	1
6	45127-ZLAJ-9000	HOSE ASSY,FR R	1
7	43127-ZLAJ-9000	HOSE ASSY,FR L	1
8	94701-06016	HEXAGON SPLINE BOLT M6*16	3
9	45301-ZLAJ-9000	FRONT BRAKE PAD	2
10	45300-ZLAJ-9000	ABS PUMP	1
11	45126-ZLAJ-9000	FRONT BRAKE LOWER PUMP OIL PIPE SET	1
12	43126-ZLAJ-9000	HOSE ASSY,RR BRK	1
13	43100-ZLAJ-9000	CALIPER ASSY, RR	1
14	43557-ZLAJ-9000	FRONT BRAKE PAD	2
15	45220-ZLAJ-9000	CALIPER ASSY FR BRK,L	1
16	45557-ZLAJ-9000	FR PAD COMP.	1
17	31340-ZLAJ-9000	SPEED SENSOR	1
18	43510-ZLAJ-9000	CYLINDER BODY, FR L	1
19	94701-08030-J	HEXAGON SPLINE BOLT M8*30	2
20	45455-LKAH-6000	LINE PIPE DOUBLE BUCKLE $\Phi 9.8 \times \Phi 4.4$	1
21	97402-ZLAJ-9000	BUCKLE A	3
22	49110-ZLAJ-9000	ABS PUMP BRACKET	1
23	94703-06012	INTERNAL HEXAGONAL BOLT WITH FLAT PAD M6*12 (DACROMET)	2
24	94701-08032-J	HEXAGON SPLINE BOLT M8*32	1
25	94705-08043-J	HEXAGON BOLT M8*43 (DACROMET) LOCKOUT ADHESIVE (SMALL HEAD $\Phi 12$)	1
26	95801-08000	WASHER 08mm	1
27	17687-ZLAJ-9000	HIGH PRESSURE TUBING SUPPORT B	1
28	45510-ZLAJ-9000	CYLINDER BODY, FR R	1



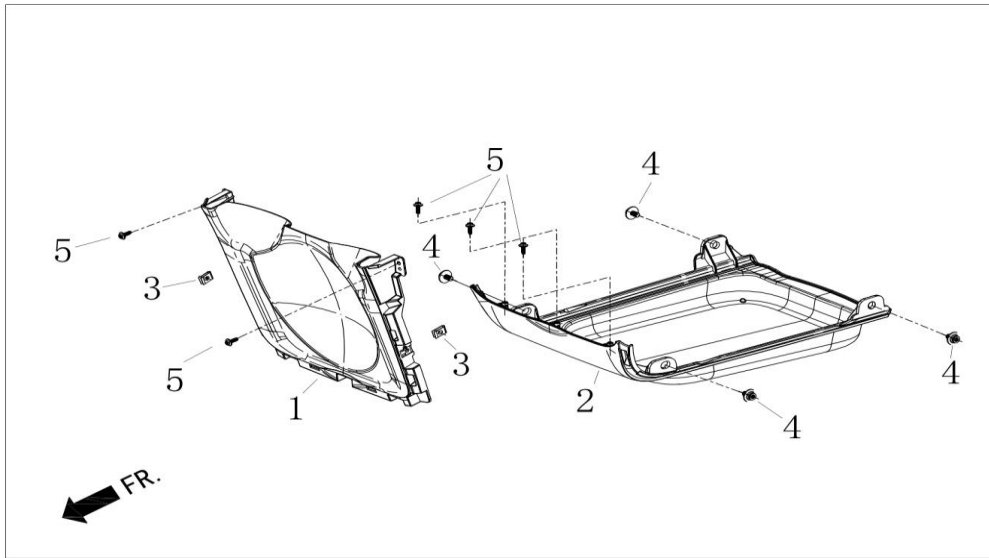
F05 FRONT PANEL

ITEM NO.	PARTS NUMBER	PARTS NAME(EN)	QTY
1	64301-ZLAJ-9000	HEAD COVER	1
	64301-ZLAJ-9000-RD	HEAD COVER-RED	
	64301-ZLAJ-9000-BL	HEAD COVER-BLUE	
2	64302-ZLAJ-9000	COVER,HEAD COVER	1
	64302-ZLAJ-9000-RD	COVER,HEAD COVER-RED	
	64302-ZLAJ-9000-BL	COVER,HEAD COVER-BLUE	
3	94703-06012	INTERNAL HEXAGONAL BOLT WITH FLAT PAD M6*12 (DACROMET)	1
4	64304-ZLAJ-9000	FRONT PANEL RIGHT TRIM PART	1
	64304-ZLAJ-9000-RD	FRONT PANEL RIGHT TRIM PART-RED	
	64304-ZLAJ-9000-BL	FRONT PANEL RIGHT TRIM PART-BL	
5	64305-ZLAJ-9000	FRONT PANEL LEFT TRIM PART	1
	64305-ZLAJ-9000-RD	FRONT PANEL LEFT TRIM PART-RED	
	64305-ZLAJ-9000-BL	FRONT PANEL LEFT TRIM PART-BL	
6	93503-04012	HEXALOBULAR SOCKET SELF DRILLING SCREW WITH TAPPING SCREW THREAD 4.2*12	9



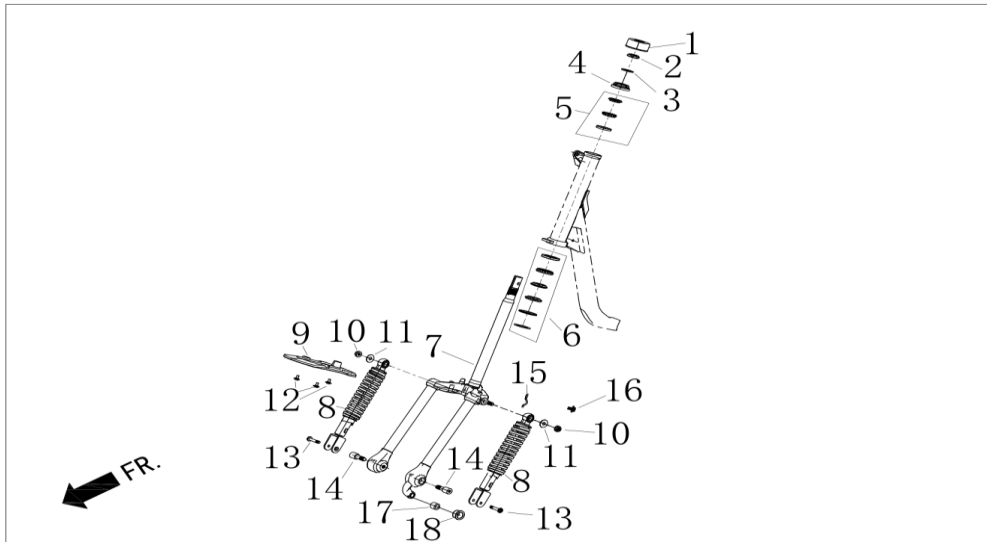
F06 LEG SHIELD

ITEM NO.	PARTS NUMBER	PARTS NAME(EN)	QTY
1	81131-ZLAJ-9000	FRONT BOX	1
	81131-ZLAJ-9000-RD	FRONT BOX-RED	
	81131-ZLAJ-9000-BL	FRONT BOX-BLUE	
2	64303-ZLAJ-9000	TOOL BOX CONNECTOR	1
	64303-ZLAJ-9000-RD	TOOL BOX CONNECTOR-RED	
	64303-ZLAJ-9000-BL	TOOL BOX CONNECTOR-BLUE	
3	93503-04012	HEXALOBULAR SOCKET SELF DRILLING SCREW WITH TAPPING SCREW THREAD 4.2*12	13
4	81141-ZLAJ-9100	STORAGE BOX DECORATION PARTS	1
	81141-ZLAJ-9100-RD	STORAGE BOX DECORATION PARTS-RED	
	81141-ZLAJ-9100-BL	STORAGE BOX DECORATION PARTS-BLUE	
5	83765-ZLAJ-9100	HELMET HOOK BUSHING	1
6	94701-06035	HEXALOBULAR FLOWER BOLT M6*35	1
7	83760-ZLAJ-9000	HELMET HOOK	1
8	38910-J3AN-9100	TYPE-C CHARGER	1
9	97402-ZLAJ-9000	BUCKLE A	1
10	94703-06012	INTERNAL HEXAGONAL BOLT WITH FLAT PAD M6*12 (DACROMET)	1
11	81245-ZLAJ-9000	VIN COVER	1
	81245-ZLAJ-9000-RD	VIN COVER-RED	
	81245-ZLAJ-9000-BL	VIN COVER-BLUE	
12	88130-ZLAJ-9000	PKE CONTROLLER	1
13	94701-05015	HEXALOBULAR FLOWER BOLT M5*15	2
14	93403-05016	HEXALOBULAR SOCKET SELF DRILLING SCREW WITH TAPPING SCREW THREAD 4.8*16	2
15	31341-J3AN-9000	WHEEL SPEED SENSOR PLUG-IN BRACKET	1
16	90601-04000	NUT SPRING 4MM	2
17	50162-ZLAJ-9000	PKE CONTROLLER,BRACKET	1
18	90658-ZLAJ-9000	TIES	1
19	35371-ZLAJ-9000	POSITIONING BUCKLE A	1



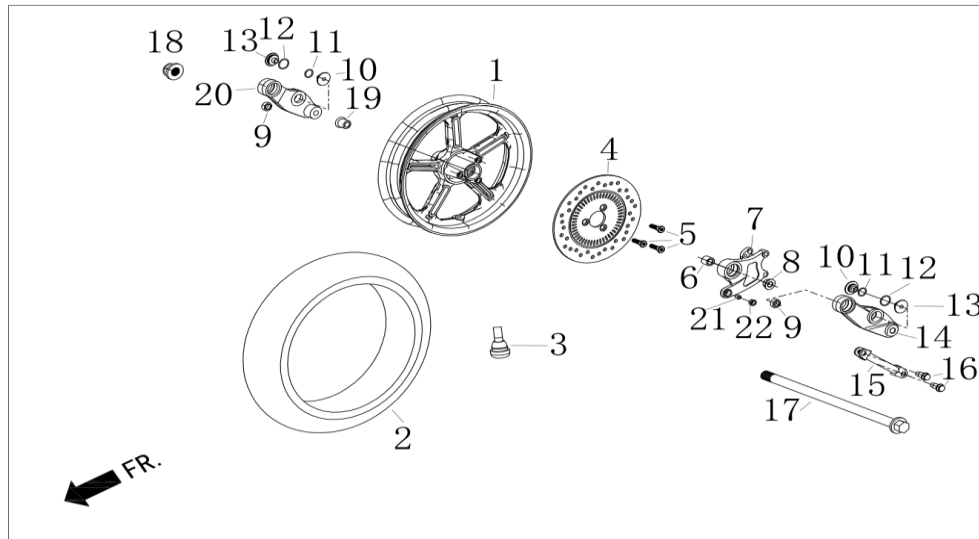
F07 COVER UNDER、CENTER COVER

ITEM NO.	PARTS NUMBER	PARTS NAME(EN)	QTY
1	64400-ZLAJ-9000	REAR PART, FRONT INNER FENDER	1
2	50613-ZLAJ-9000	DOWN COVER	1
3	90601-04000	NUT SPRING 4mm	2
4	94703-06012	HEXAGON SPLINE BOLT, WITH PLAIN WASHER M6*12	4
5	93503-04012	HEXALOBULAR SOCKET SELF DRILLING SCREW WITH TAPPING SCREW THREAD 4.2*12	5



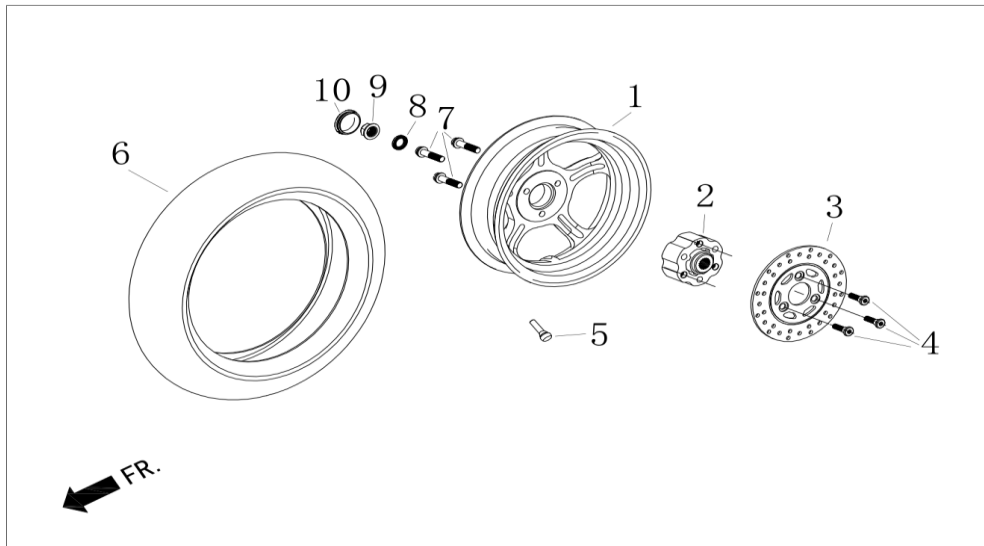
F08 UNDER BRACKET

ITEM NO.	PARTS NUMBER	PARTS NAME(EN)	QTY
1	53213-J3AN-9000	BOOT, STRG BOLT	1
2	50306-LKAH-9000	NUT, STEERING STEM	1
3	90503-ZLAJ-9000	TRUST WASHER	1
4	53220-LKAH-9000	ADJUSTING NUT	1
5	5030A-LKAH-9000	UPPER STEERING BEARING ASSEMBLY	1
6	5030B-LKAH-9000	LOWER STEERING BEARING ASSEMBLY	1
7	53200-ZLAJ-9000	FRONT FORK	1
8	51500-ZLAJ-9000	FRONT ABSORBERS	2
9	53210-ZLAJ-9000	INNER ,FRONT FENDER	1
10	95401-10000	NUT U FLANGE 10mm	2
11	95801-10000	WASHER 10mm	1
12	94704-06012	HEXALOBULAR STEP BOLT (LARGE FACE) M6*12 ϕ 9*2.5-M6*9.5	3
13	94701-08042	HEXAGON SPLINE BOLT M8*42	2
14	53209-ZLAJ-9000	FRONT FORK ROCKER SHAFT	2
15	45131-ZLAJ-9000	LOWER CONNECTING PLATE DISC BRAKE OIL LINE CLAMP	1
16	94703-06012	HEXAGON SPLINE BOLT, WITH PLAIN WASHER M6*12	1
17	53209-ZLAJ-9000	NYLON BUSHING	1
18	53208-ZLAJ-9000	TIE ROD BUSHING	1



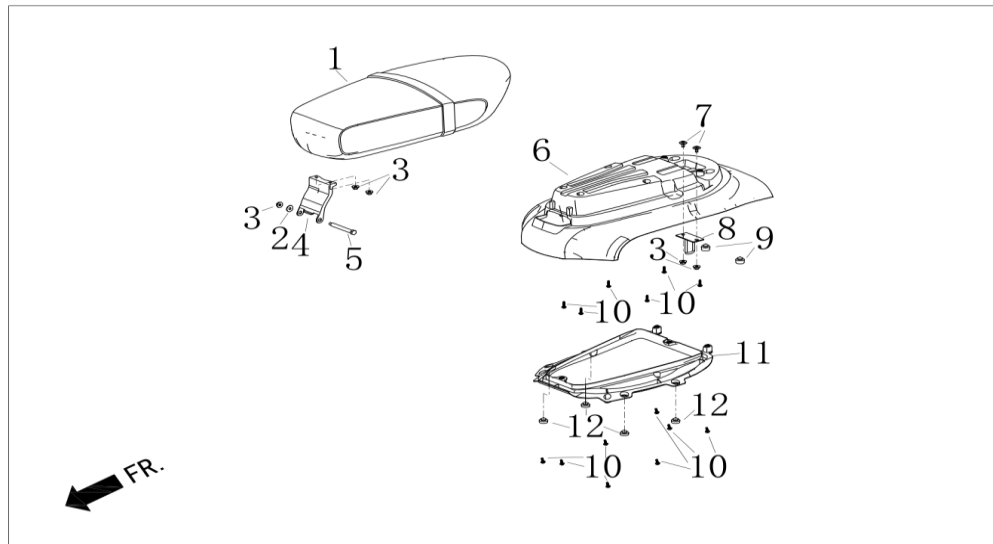
F09 FRONT WHEEL ASSY

ITEM NO.	PARTS NUMBER	PARTS NAME(EN)	QTY
1	44600-ZLAJ-9000	FR RIM COMP	1
2	44710-ZLAJ-9000	FRONT TYRE 90/80-12	1
3	42753-LKAH-9000	VALAE RIM	1
4	45121-ZLAJ-9000	FR TOOTHED RING, SENSOR	1
5	94401-08030	BOLT FR DISK M8*30-φ10*8	3
6	44312-ZLAJ-9000	FRONT AXLE LEFT BUSHING	1
7	45122-ZLAJ-9000	FRONT DISC BRAKE MOUNT	1
8	45123-ZLAJ-9000	BUSHING ,FRONT DISC BRAKE MOUNT	1
9	53208-ZLAJ-9000	FRONT FORK ROCKER ARM BUSHING	2
10	44313-ZLAJ-9000	FRONT SHOCK ABSORBER T-SHAPED BUSHING A	2
11	96901-01602	FRONT SHOCK ABSORBING T-BUSHING A O-RING	2
12	96901-02102	FRONT SHOCK ABSORBING T-BUSHING B O-RING	2
13	44314-ZLAJ-9000	FRONT SHOCK ABSORBING T-BUSHING B	2
14	51201-ZLAJ-9000	ROCKER ARM LEFT BRACKET	1
15	51302-ZLAJ-9000	DISC BRAKE MOUNT LEVER	1
16	51303-ZLAJ-9000	BOLT FR DISK M8*30-φ10*8	2
17	44301-ZLAJ-9000	FRONT AXLE M12*238	1
18	95501-12000	NUT U FLANGE 12MM	1
19	44311-LKAH-9000	FRONT WHEEL SHAFT BUSHING	1
20	51101-ZLAJ-9000	SWING RIGHT STAND	1
21	53208-ZLAJ-9000	TIE ROD BUSHING	1
22	53209-ZLAJ-9000	NYLON BUSHING	1



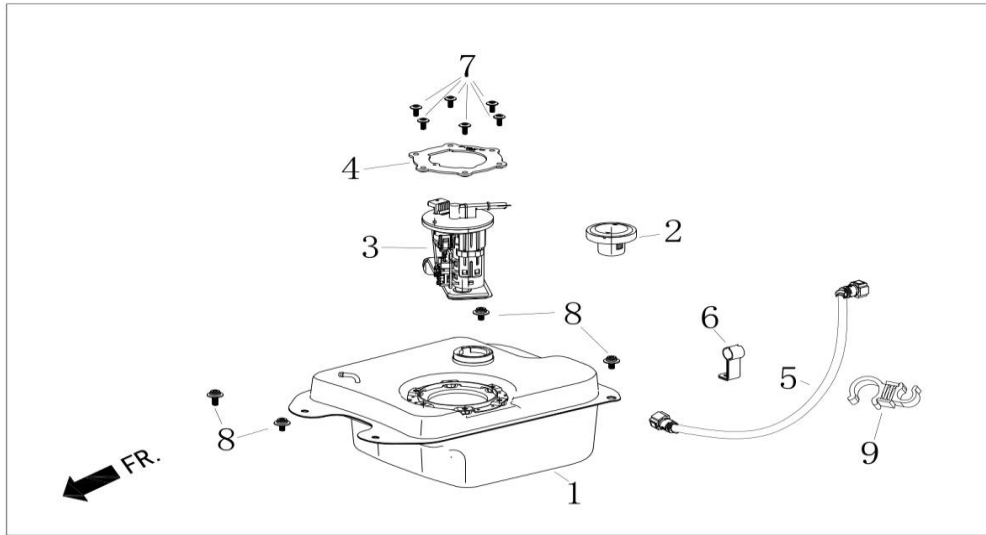
F10 REAR WHEEL

ITEM NO.	PARTS NUMBER	PARTS NAME(EN)	QTY
1	42600-ZLAJ-9000	REAR RIM	1
2	42610-ZLAJ-9000	REAR WHEEL CONNECTING SEAT	1
3	43351-ZLAJ-9000	REAR RIM	1
4	94401-08030	BOLT FR DISK M8*30	3
5	42753-LKAH-6000	VALVE(REAR TYRE)	1
6	42710-ZLAJ-9000	REAR TIRE,3.5-10	1
7	94701-10040-J	HEXAGON SPLINE BOLT M10*40	3
8	95901-16253	ANTI-LOOSENING GASKET	1
9	95501-16000	SAFETY NUT M16*1.5	1
10	42611-LKAH-6000	REAR WHEEL RIM DECORATIVE COVER	1



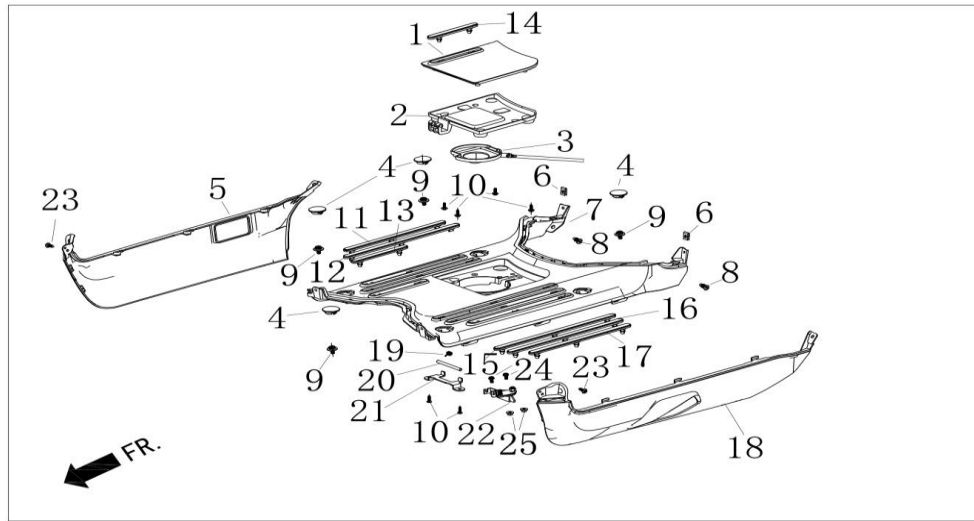
F11 SEAT ASSY

ITEM NO.	PARTS NUMBER	PARTS NAME(EN)	QTY
1	7720A-ZLAJ-9000	SEAT ASSY.	1
	7720A-ZLAJ-9000-RD	SEAT ASSY.-RED	
	7720A-ZLAJ-9000-BL	SEAT ASSY.-BLUE	
2	95802-06000	FLAT WASHER 6Φ18×Φ6×1.5	1
3	95101-06000	NUT FLANGE 6MM	5
4	77300-ZLAJ-900	HINGE COMP,SEAT	1
5	77305-ZLAJ-9000	SEAT ROCKER ARM SHAFT	1
6	77213-ZLAJ-9000	SEAT CUSHION BOTTOM PLATE DECORATION	1
	77213-ZLAJ-9000-RD	SEAT CUSHION BOTTOM PLATE DECORATION-RED	
	77213-ZLAJ-9000-BL	SEAT CUSHION BOTTOM PLATE DECORATION-BLUE	
7	77400-ZLAJ-9000	HOOK, SEAT LOCK	1
8	95802-06000	FLAT WASHER 6Φ18×Φ6×1.5	1
9	77309-ZLAJ-9000	RUBBER (HEIGHT 10MM)	2
10	93503-04012	HEXALOBULAR SOCKET SELF DRILLING SCREW WITH TAPPING SCREW THREAD 4.2*12	14
11	77213-ZLAJ-9000	STRIP COVER	1
12	17504-ZLAJ-9000	CUSHION BASE PLATE CUSHION RUBBER 1	4



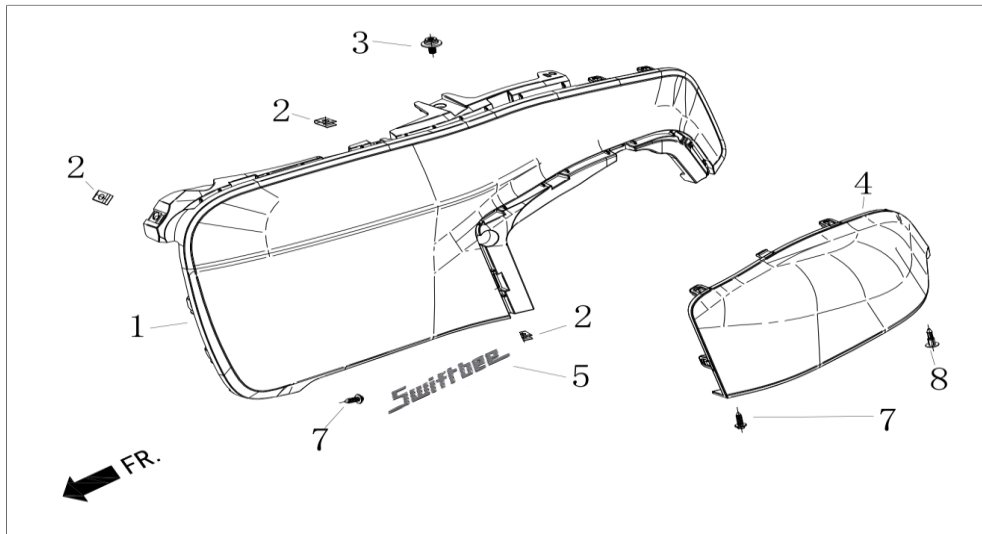
F12 FUEL TANK

ITEM NO.	PARTS NUMBER	PARTS NAME(EN)	QTY
1	17500-ZLAJ-9000	FUEL TANK	1
2	1762A-ZLAJ-9000	CAP COMP, FUEL TANK	1
3	17550-ZLAJ-9000	FUEL PUMP	1
4	17515-LKAH-9000	FUEL PUMP MOUNTING PLATE	1
5	17685-ZLAJ-9000	TUBE, FUEL	1
6	17686-ZLAJ-9000	CLAMP, FUEL TUBE	1
7	94702-05012	HEXAGON SPLINE BOLT M5*12	6
8	94703-06012	HEXAGON SPLINE BOLT, WITH PLAIN WASHER M6*12	4
9	97501-13500/05000-G	LINE CARD ϕ 13.5 WITH ϕ 5	1



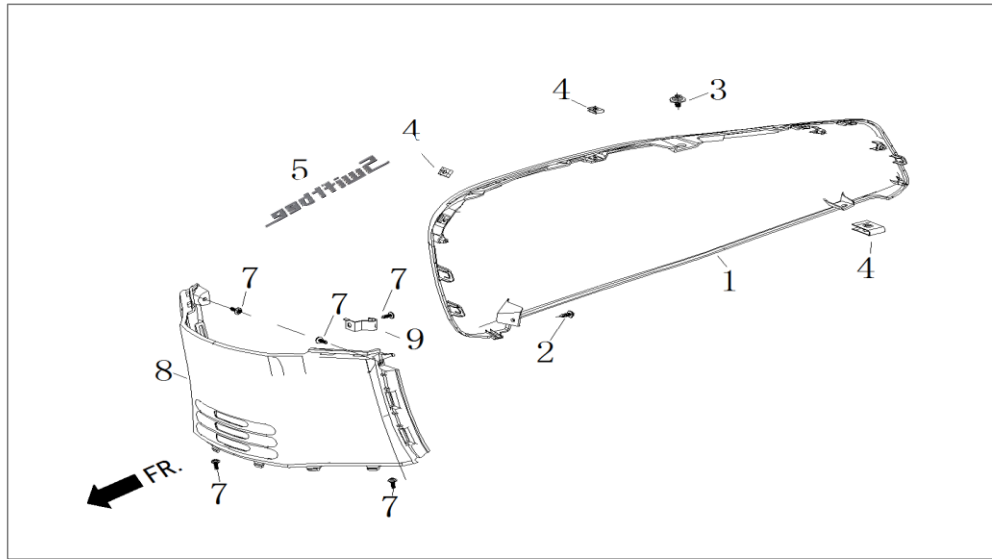
F13 FLOOR PANEL, SIDE COVER

ITEM NO.	PARTS NUMBER	PARTS NAME(EN)	QTY
1	80152-ZLAJ-9000	FUEL CAP LID	1
	80152-ZLAJ-9000-RD	FUEL CAP LID -RED	
	80152-ZLAJ-9000-BL	FUEL CAP LID -BLUE	
2	80155-ZLAJ-9000	INNER LID ,FUEL CAP	1
	80155-ZLAJ-9000-RD	INNER LID ,FUEL CAP -RED	
	80155-ZLAJ-9000-BL	INNER LID ,FUEL CAP -BL	
3	8015A --ZLAJ-9000	OIL SPILL RUBBER	1
4	88125-ZLAJ-9000	SCREW WATERPROOF RUBBER COVER	4
	88125-ZLAJ-9000-RD	SCREW WATERPROOF RUBBER COVER-RED	
	88125-ZLAJ-9000-BL	SCREW WATERPROOF RUBBER COVER-BLUE	
5	83501-ZLAJ-9000	MOLDING A,R SIDE	1
	83501-ZLAJ-9000-RD	MOLDING A,R SIDE-RED	
	83501-ZLAJ-9000-BL	MOLDING A,R SIDE-BLUE	
6	90601-04000	NUT SPRING 4MM	2
7	64600-ZLAJ-9000	FOOTREST	1
	64600-ZLAJ-9000-RD	FOOTREST-RED	
	64600-ZLAJ-9000-BL	FOOTREST-BLUE	
8	90004-J3AN-9000	CLIP BODY COVER	2
9	94703-06012	HEXAGON SPLINE BOLT,WITH PLAIN WASHER M6*12	4
10	93503-04012	HEXALOBULAR SOCKET SELF DRILLING SCREW WITH TAPPING SCREW THREAD 4.2*12	6
11	64370-ZLAJ-9000	FOOT LEATHER(R1)	1
12	64371-ZLAJ-9000	FOOT LEATHER(R2)	1
13	64372-ZLAJ-9000	FOOT LEATHER(R3)	1
14	64373-ZLAJ-9000	FOOT LEATHER(R4)	1
15	64382-ZLAJ-9000	FOOT LEATHER(L3)	1
16	64381-ZLAJ-9000	FOOT LEATHER(L2)	1
17	64380-ZLAJ-9000	FOOT LEATHER(L1)	1
18	83601-ZLAJ-9000	LEFT SIDE COVER A	1
	83601-ZLAJ-9000-RD	LEFT SIDE COVER A-RED	
	83601-ZLAJ-9000-BL	LEFT SIDE COVER A-BLUE	
19	80160-ZLAJ-9000	SPRING ,FUEL CAP	1
20	17622--ZLAJ-9000	PIN,FUEL CAP	1
21	80153-ZLAJ-9000	FUEL TANK CAP ROCKER ARM BRACKET	1
22	35120-ZLAJ-9000	FUEL TANK LOCK	1
23	93403-05016	HEXALOBULAR SOCKET SELF DRILLING SCREW WITH TAPPING SCREW THREAD 4.8*16	2
24	94701-06016	HEXAGON SPLINE BOLT M6*16	2
25	95101-06000	HEXAGONAL FLANGE NUT M6 (DACROMET)	2



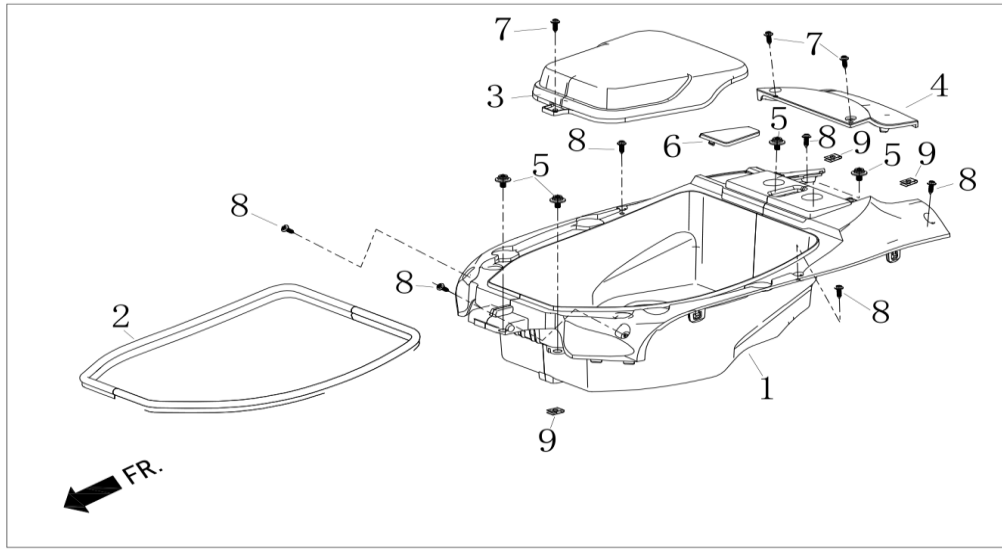
F14 LEFT DECORATIVE PANEL

ITEM NO.	PARTS NUMBER	PARTS NAME(EN)	QTY
1	83600-ZLAJ-9000	COVER,L BODY	1
	83600-ZLAJ-9000-RD	COVER,L BODY-RED	
	83600-ZLAJ-9000-BL	COVER,L BODY-BLUE	
2	90601-04000	NUT SPRING 4mm	3
3	94703-06012	HEXAGON SPLINE BOLT,WITH PLAIN WASHER M6*12	1
4	83616-ZLAJ-9000	DECORATE, COVER,L BODY	1
	83616-ZLAJ-9000-RD	DECORATE, COVER,L BODY-RED	
	83616-ZLAJ-9000-BL	DECORATE, COVER,L BODY-BLUE	
5	87512-ZLAJ-9000	LABLE SWIFTBEE	1
7	93403-05016	HEXALOBULAR SOCKET SELF DRILLING SCREW WITH TAPPING SCREW THREAD 4.8*16	2
8	90004-J3AN-9000	CLIP BODY COVER	1



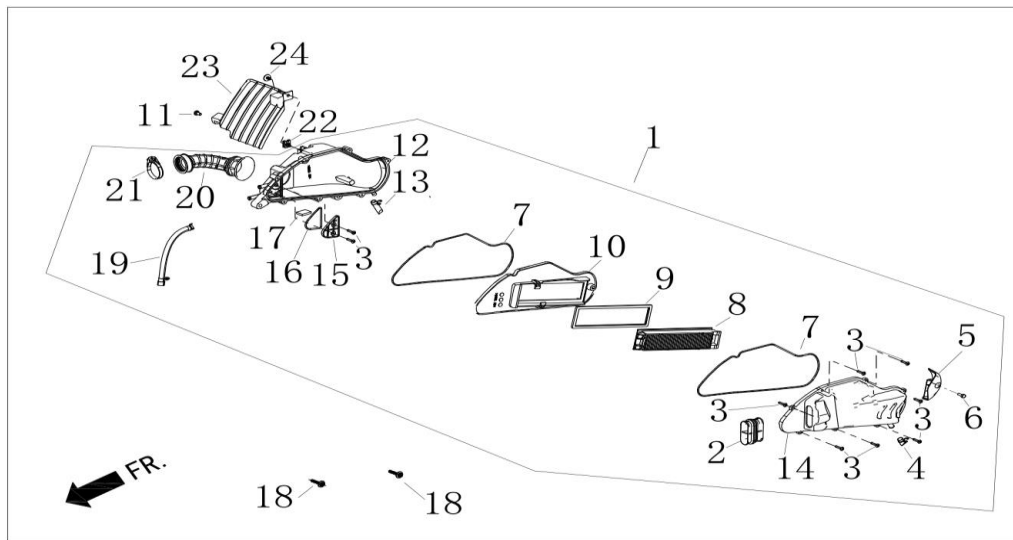
F15 RIGHT DECORATIVE PANEL

ITEM NO.	PARTS NUMBER	PARTS NAME(EN)	QTY
1	83500-ZLAJ-9000	COVER,R BODY	1
	83500-ZLAJ-9000-RD	COVER,R BODY-RED	
	83500-ZLAJ-9000-BL	COVER,R BODY-BLUE	
2	93403-05016	HEXALOBULAR SOCKET SELF DRILLING SCREW WITH TAPPING SCREW THREAD 4.8*16	1
3	94703-06012	HEXAGON SPLINE BOLT,WITH PLAIN WASHER M6*12	1
4	90601-04000	NUT SPRING 4mm	3
5	87512-ZLAJ-9000	LABLE "JULIO II"	1
7	93503-04012	HEXALOBULAR SOCKET SELF DRILLING SCREW WITH TAPPING SCREW THREAD 4.2*12	5
8	80151-ZLAJ-9000	CENTER COVER	1
	80151-ZLAJ-9000-RD	CENTER COVER -RED	
	80151-ZLAJ-9000-BL	CENTER COVER -BLUE	
9	LZ-22115	CYLINDER HEAD OIL PIPE FIXING BRACKET	1



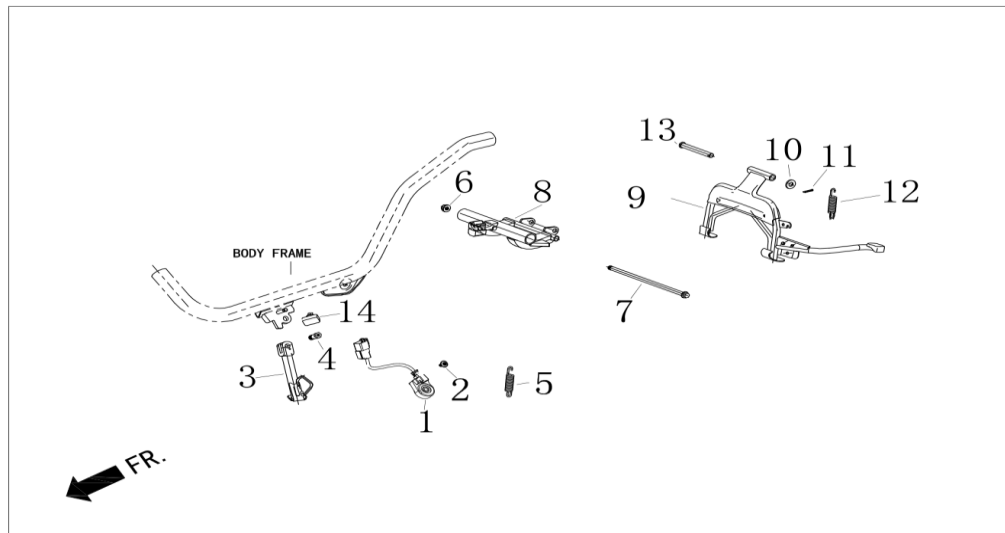
F16 LUGGAGE BOX

ITEM NO.	PARTS NUMBER	PARTS NAME(EN)	QTY
1	81250-ZLAJ-9000	LUGGAGE BOX	1
2	77306-ZLAJ-9000	SEAT SEAL	1
3	81264-ZLAJ-9000	INNER COVER ,LUGGAGE BOX	1
4	50327-ZLAJ-9000	BATTERY BOX COVER	1
5	94703-06012	HEXAGON SPLINE BOLT,WITH PLAIN WASHER M6*12	4
6	81252-ZLAJ-9000		1
7	93503-04012	HEXALOBULAR SOCKET SELF DRILLING SCREW WITH TAPPING SCREW THREAD 4.2*12	3
8	93403-05016	HEXALOBULAR SOCKET SELF DRILLING SCREW WITH TAPPING SCREW THREAD 4.8*16	6
9	90601-04000	NUT SPRING 4mm	3



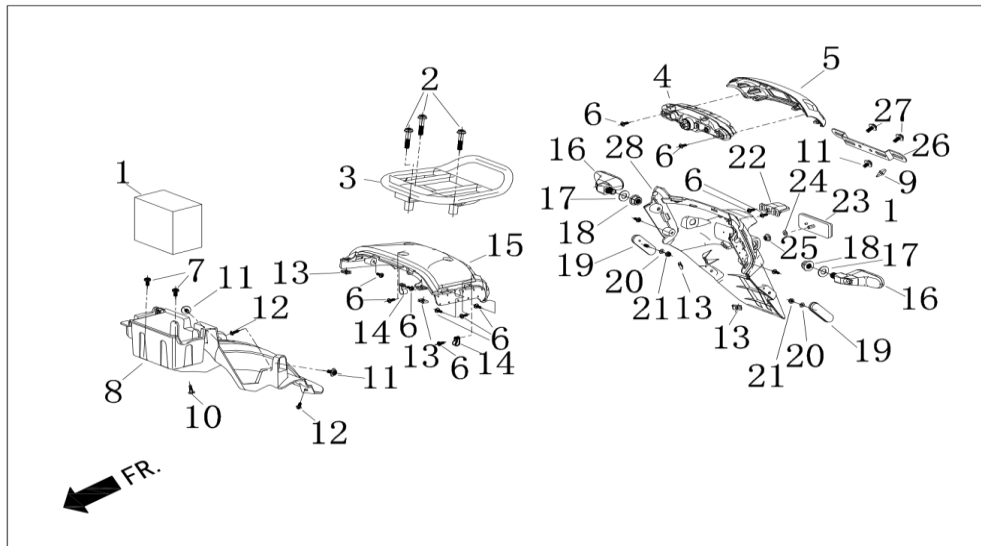
F17 AIR CLEANER

ITEM NO.	PARTS NUMBER	PARTS NAME(EN)	QTY
1	17200-ZLAJ-9000	AIR CLEANER BOX	1
2	2.1.04.ZLAJ	INLET PIPE	1
3	1.1.01.ST-B009	SELF-TAPPING SCREWS(4.8*25)	9
4	2.3.1.XJ-072	KVRS DUSTPROOF PIPE	1
5	2.1.06.ZLAJ-3	COVER ,AIR CLEANER BOX	1
6	1.1.01.LS-004	BOLT M5*15	2
7	1.4.1.02.GY6-08	SEAL	2
8	2.1.05.1.ZLAJ	AIR FILTER	5
9	2.3.1.XJ-523	SEAL RUBBER	1
10	2.1.06.ZLAJ-2	MIDDEL PLATE	1
11	94705-06012	HEXAGONAL STEP BOLT M6×12(SMALL HEAD)	1
12	2.1.02.ZLAJ	CASE,AIR/C	1
13	2.1.80.2.RY-038	WASTE OIL PIPE	1
14	2.1.01.ZLAJ	COVER,AIR/C	1
15	2.1.06.ZLAJ-1	OIL COLLECTION	1
16	1.4.1.02.KRF-03	SEAL	1
17	2.1.09.ZLAJ	SPONGE	
18	94703-06035	INTERNAL HEXAGONAL BOLT WITH FLAT PAD M6*36 (DACROMET)	2
19	2.1.80.4.ZLAJ	OIL DRAIN PIPE	1
20	2.3.1.JCQ-431	OUTLET TUBE	1
21	1.1.02.PT-H043	Φ46 CLAMP	1
22	90702-06000	CLAMP NUT M6	1
23	80120-ZLAJ-9000	ENGINE FENDER	1
24	94703-06016	HEXAGON FLOWER BOLT WITH FLAT WASHER M6*16 (DACROMET)	1



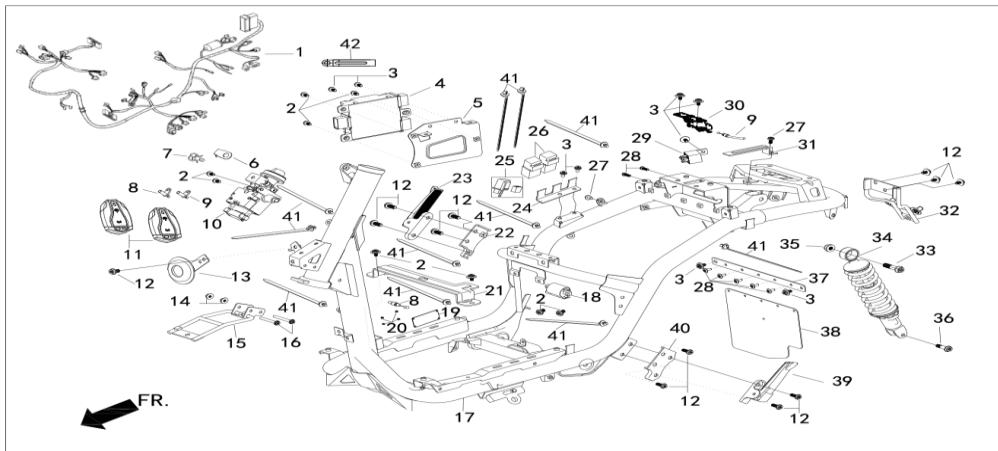
F18 SIDE STAND,MAIN STAND

ITEM NO.	PARTS NUMBER	PARTS NAME(EN)	QTY
1	35370-J3AN-9000	SWITCH, SIDE STAND	1
2	94702-06016	HEXAGON SPLINE BOLT,WITH PLAIN WASHER M6*16	1
3	50530-ZLAJ-9000	SIDE STAND	1
4	90101-J3AN-9000	BOLT WITH STEP $\Phi 12*16.4-M10*12$	1
5	95014-LKAH-9000	DOUBLE SPRING, SIDE STAND	1
6	95401-10000	NUT U FLANGE 10MM	1
7	90106-ZLAJ-9000	HANGER SHAFT(M10*230)	1
8	5035A-ZLAJ-9000	ENGINE HANGER	1
9	50500-ZLAJ-9000	MAIN STAND	1
10	97001-12	NYLON FLAT WASHER 12 ($\Phi 25*\Phi 12*3.3$)	1
11	97001-ZLAJ-9000	COTTER PIN (MAIN BRACKET SHAFT) 2.5*30	1
12	95015-LKAH-9000	DOUBLE SPRING, MAIN STAND	1
13	50524-ZLAJ-9000	AXLE, MAIN STAND	1
14	50507-ZLAJ-9000	SIDE STAND BUFFER RUBBER	1



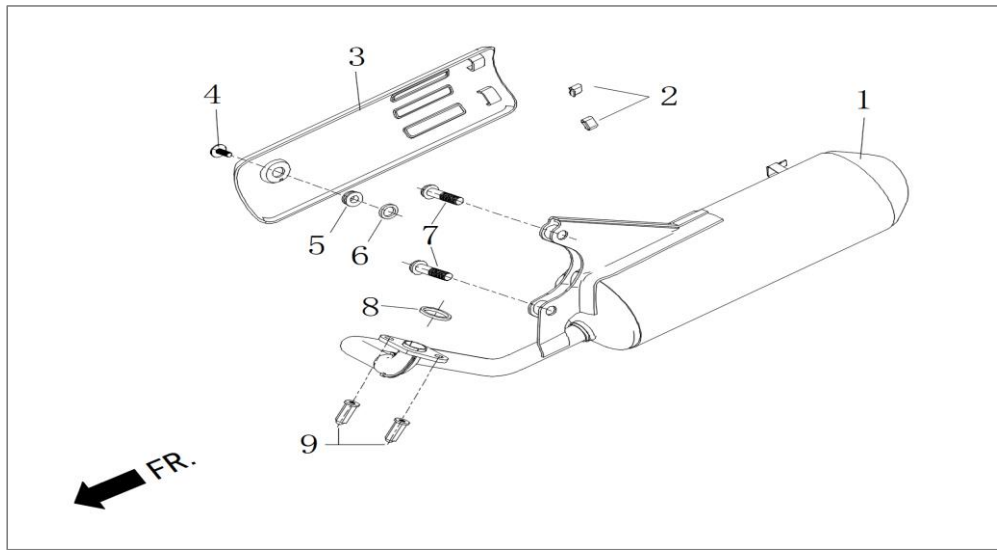
F19 REAR FENDER

ITEM NO.	PARTS NUMBER	PARTS NAME(EN)	QTY
1	31500-ZLAJ-9000	BATTERY	1
2	94701-08040	HEXAGON SPLINE BOLT M6*12	3
3	81200-ZLAJ-9000	REAR CARRIER	1
4	3370A-ZLAJ-9000	TAILLIGHT	1
5	33704-ZLAJ-9000	TAILLIGHT DECORATIVE COVER	1
	33704-ZLAJ-9000-RD	TAILLIGHT DECORATIVE COVER-RED	
	33704-ZLAJ-9000-BL	TAILLIGHT DECORATIVE COVER-BLUE	
6	93503-04012	HEXALOBULAR SOCKET SELF DRILLING SCREW WITH TAPPING SCREW THREAD 4.2*12	11
7	94702-06012-07	HEXAGON SPLINE BOLT M6*12	2
8	80101-ZLAJ-9000	INNER FENDER	1
9	83553-ZLAJ-9000	TIE	1
10	93404-05016-07	CLIP BODY COVER	1
11	94702-06012	HEXAGON SPLINE BOLT,WITH PLAIN WASHER M6*12	3
12	93403-05016	HEXALOBULAR SOCKET SELF DRILLING SCREW WITH TAPPING SCREW THREAD 4.8*16	2
13	90601-04000	NUT SPRING 4MM	4
14	97401-J3AN-9000	CLIP	2
15	83750-ZLAJ-9000	REAR CENTER COVER	1
	83750-ZLAJ-9000-RD	REAR CENTER COVER-RED	
	83750-ZLAJ-9000-BL	REAR CENTER COVER-BLUE	
16	33650-ZLAJ-9000	REAR R/L TURNING LIGHT	2
17	95801-12000	FLAT WASHER 10 (Φ24*Φ12.5*2)(DACROMET)	2
18	95501-12000	SAFETY NUT M12*1.25	2
19	33731-LKAH-9000	SIDE REFLECTOR	2
20	95801-05010-09	PLAIN WASHER 5MM(09)	2
21	95101-05000	HEXAGONAL FLANGE NUT M5	2
22	33720-ZLAJ-9000	LICENSE PLATE LIGHT	1
23	33741-LKAH-9000	REAR REFLECTOR	1
24	95801-06000	GASKET Φ12×Φ6.2×1	1
25	95102-06000 (无图)	ANTI-LOOSENING FACE LOCK NUT	1
26	84707-LKAH-900K	LICENSE PLATE BRACKET	1
27	94702-06016	HEXAGON SPLINE BOLT,WITH PLAIN WASHER M6*20	2
28	80105-ZLAJ-9000	REAR FENDER	1



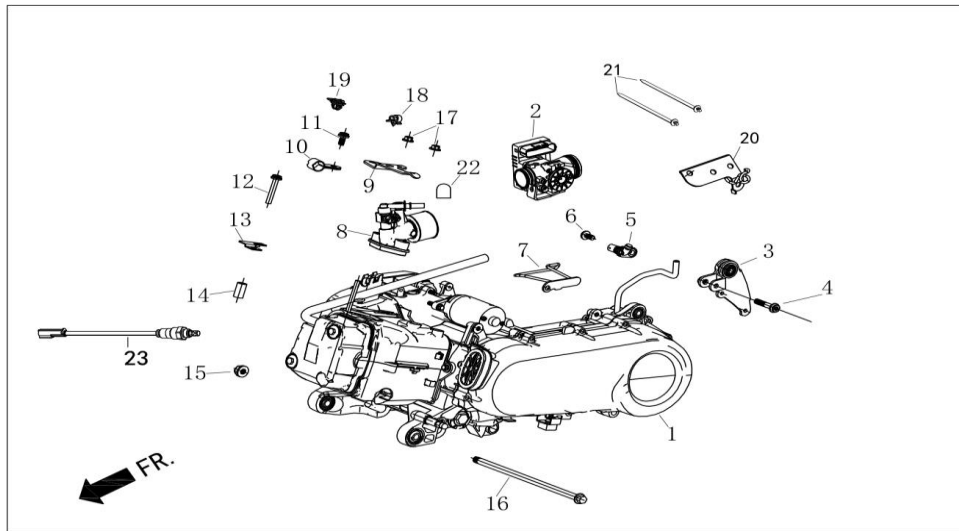
F20 MAIN WIRES、 ELECTRONIC EQUIPMENT

ITEM NO.	PARTS NUMBER	PARTS NAME(EN)	QTY
1	32100-ZLAJ-9000	MAIN CABLE	1
2	94701-06016	HEXAGON SPLINE BOLT M6×16	9
3	94703-06012	HEXAGON SPLINE BOLT,WITH PLAIN WASHER M6×12	9
4	31610-ZLAJ-9000	TWO-IN-ONE CONTROLLER	1
5	31611-ZLAJ-9000	TWO-IN-ONE CONTROLLER SUPPORT	1
6	35011-ZLAJ-9000	CABLE BRACKET	1
7	45456-ZLAJ-9000	BUCKLE	1
8	17520-ZLAJ-9000	FUEL TANK LOCK LINE	1
9	77240-ZLAJ-9000	CABLE , SEAT LOCK	1
10	35010-ZLAJ-9000	LOCK ASSY	1
11	88140-ZLAJ-9000	REMOTE CONTROL	2
12	94701-08012	HEXAGON SPLINE BOLT M8×12	12
13	38110-LKAH-9000	HORN	1
14	95101-06000	NUT M6	2
15	64315-ZLAJ-9000	BRACKET,HEAD COVER	1
16	94701-06045	HEXAGON SPLINE BOLT M6×45	2
17	50100-ZLAJ-9000	FRAME ASSY	1
18	3051A-LKAH-9000	IGNITION COIL	1
19	50234-J3AN-9000	FRAME PLATE	1
20	90851-ZLAJ-9000	RIVET	4
21	17505-ZLAJ-9000	FUEL TANK PALTE	1
22	50721-ZLAJ-9000	BRACKET ,R PEDAL COMP	1
23	50710-ZLAJ-9000	R PEDAL COMP	1
24	50228-ZLAJ-9000	BRACKT RELAY	1
25	38300-LKAH-9000	FLASHER	1
26	38500-J3AN-8000	RELAY ASS'Y.,FUEL PUMP	2
27	94701-06012 94702-06020	HEXAGON SPLINE BOLT M6×12 / HEKAGON SPLINE BOLT, WITHPLAIN WASHER MG*20	2
28	94702-05012	HEXAGON SPLINE BOLT M5×12	7
29	31612-LKAH-9000	TRANSFER RELAY	1
30	77235-ZLAJ-9000	SEAT LOCK ASSY	1
31	50605-ZLAJ-9000	BATTERY BEAD	1
32	50321-ZLAJ-9000	BRACKET, RR FENDER	1
33	94701-10042	HEXAGON SPLINE BOLT M10×42	1
34	52400-ZLAJ-9000	REAR SHOCK ABSORBER ASSY, RR	1
35	95401-10000	NUT U FLANGE 10MM	1
36	94701-08032-J	HEXAGON SPLINE BOLT M8×32	1
37	80110-ZLAJ-9000	DUSTPROOF , RR FENDER	1
38	80106-ZLAJ-9000	PEDAL, L ASSY.	1
39	50720-ZLAJ-9000	BRACKET ,L PEDAL COMP	1
40	50731-ZLAJ-9000	LEFT FOOTREST BRACKET	1
41	90658-ZLAJ-9000	AIRCRAFT HEAD TIES	11
42	45212-LKAH-6000	FRONT BRAKE FLUID LINE CARD	1



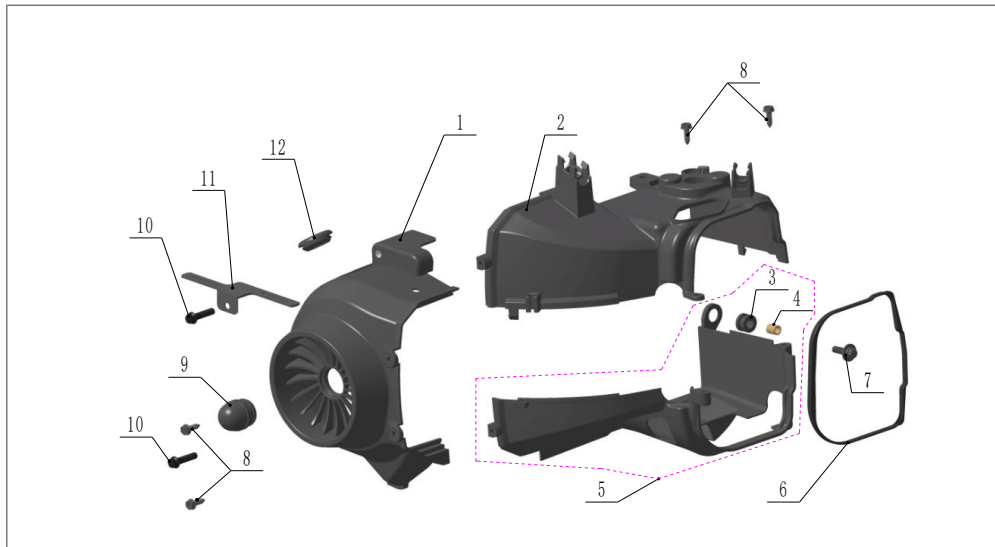
F22 MUFFLER ASSY

ITEM NO.	PARTS NUMBER	PARTS NAME(EN)	QTY
1	1830A-ZLAJ-800B	MUFFLER ASSY	1
2	18312-ZLAJ-6000	RUBBER	2
3	18319-ZLAJ-9000	SIDE COVER,MUFFLER	1
4	94702-06016-J	HEXAGON SPLINE BOLT M6×16	1
5	18293-J3AN-8000	RUBBER MUFFLER	1
6	18295-J3AN-8000	ASBESTOS WASHER Φ19×Φ9×2	1
7	94701-10040-J	HEXAGON SPLINE BOLT M10×40	2
8	18291-LKAH-9000	GASKET EXH PIPE	1
9	90201-06022	NUT HEX CAP M6×22	2



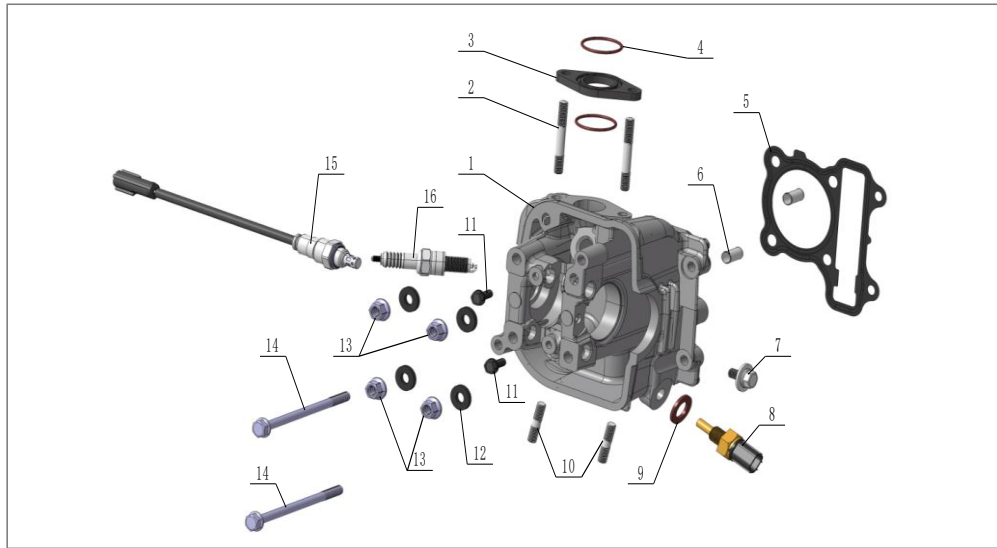
F23 ENGINE

ITEM NO.	PARTS NUMBER	PARTS NAME(EN)	QTY
1	10000-ZLAJ-9000	ENGINE	1
2	1610A-ZLAJ-9000	THROTTLE BODY	1
3	42410-ZLAJ-9000	REAR SHOCK ABSORBER ADAPTER	1
4	94701-08035	HEXAGON SPLINE BOLT M8*35	1
5	31350-ZLAJ-9000	SENSOR, RR. WHEEL SPEED	1
6	94701-06012	HEXAGON SPLINE BOLT M6*12	1
7	31351-ZLAJ-9000	BRACKET ,REAR SPEED SENSOR	1
8	150H-B.08.210A	AIR INTAKE TUBE, FUEL INJECTION	1
9	17684-ZLAJ-9000	BRACKT ,ENGINE WIRE	1
10	17687-ZLAJ-9000	HIGH PRESSURE OIL PIPE BRACKET B	1
11	94703-06012	HEXAGON FLOWER BOLT WITH FLAT WASHER M6*12 (DACROMET)	1
12	94701-06035	HEXAGON SPLINE BOLT M6*35	1
13	31341-J3AN-9000	WHEEL SPEED SENSOR PLUG-IN BRACKET	1
14	31351-ZLAJ-9000	BUSHING,REAR WHEEL SPEED SENSOR	1
15	95401-10000	NUT U FLANGE 10MM	1
16	92201-ZLAJ-9000	ENGINE HANGER SHAFT	1
17	95101-06000	HEXAGONAL FLANGE NUT M6 (DACROMET)	2
18	97402-ZLAJ-9000	BUCKLE A	1
19	35371-ZLAJ-9000	POSTION BUCKLE A	1
20	17680-ZLAJ-9000	ENGINE MOUNT CABLE BRACKET (FAN COVER)	1
21	90658-ZLAJ-9000	AIRCRAFT HEAD TIES	2
22	37781-LKAH-9000	FUEL INJECTOR BOOT	1
23	39450-LKAH-9000	OXYGEN SENSOR	1



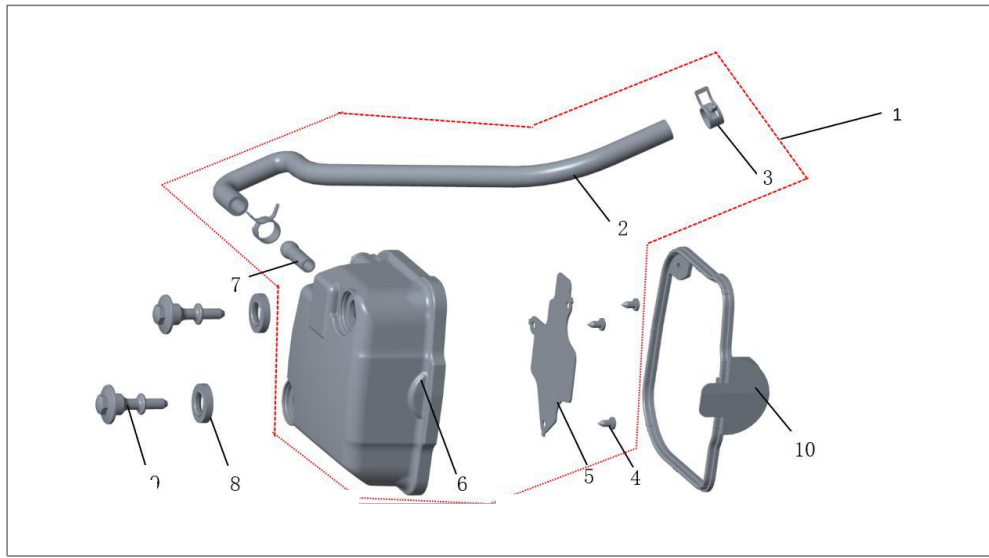
E01 FAN COVER SHROUD

ITEM NO.	PARTS NUMBER	PARTS NAME(EN)	QTY
1	150H-D.05.210	AIR SHROUD, CYLINDER 1	1
2	150H-D.05.320	AIR SHROUD, CYLINDER 2	1
3	150H.12.103	RUBBER SLEEVE	1
4	150H.12.104	BUSH 6.5×9×7	1
5	150H-D.05.330	.AIR SHROUD, CYLINDER 3	1
6	150H.12.102	SEAL RING, AIR SHROUD, CYLINDER	1
7	150H.11.320	BOLT, WITH WASHER M6×20-1.5	1
8	GB/T16824.1	BOLT ST4.8×16	4
9	150H.12.106A	CROMMET SIDE PANEL 1	1
10	GB/T16674.1	BOLT, FLANGE M6×25	2
11	150H-2.11.138	FIXED SUPPORT	1
12	152-8.12.206	CROMMET SIDE PANEL 2	1



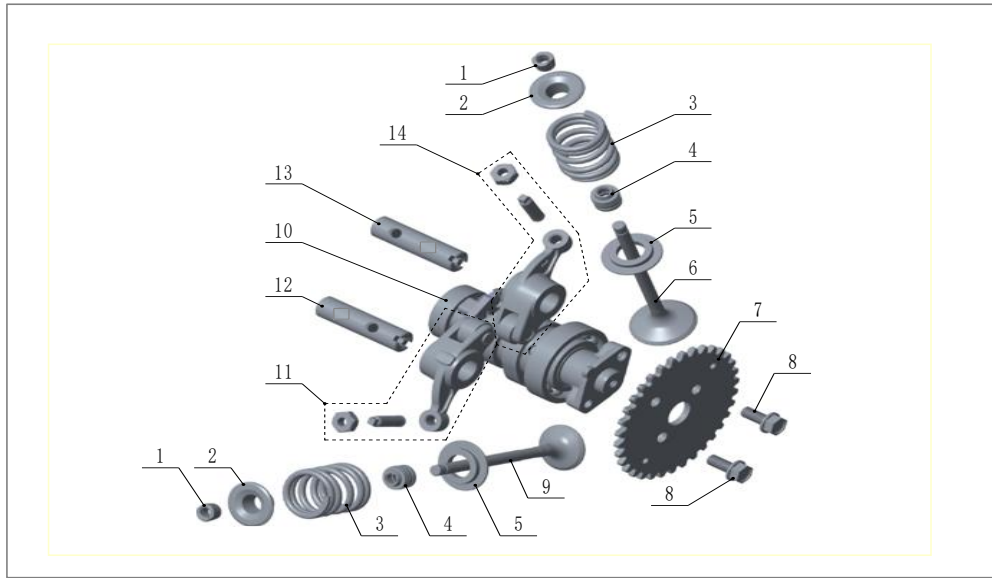
E02 CYLINDER HEAD

ITEM NO.	PARTS NUMBER	PARTS NAME(EN)	QTY
1	150H.04.211	CYLINDER HEAD	1
2	1502-8.11.202	INTAKE .BOLT, STUD M6×52	2
3	150H.08.260	JOINT	1
4	150H.12.514	O-RING 25.5×1.9	2
5	150-B.12.319	GASKET, CYLINDER HEAD 1	1
6	139.11.507	PIN,DOWEL Ø8×Ø7.1×Ø14	2
7	150H.11.318	.BOLT, WITH WASHER M6×13-1.6	1
9	150H.11.858	WASHER, PLATE Ø10×Ø18×1.5	1
10	150-B.11.203	EXHAUST .BOLT, STUD M6×30	2
11	GB/T16674.1	BOLT, FLANGE M5×12	2
12	150H.11.805	WASHER, PLATE Ø7.2×Ø16×2.5	4
13	GB/T 6177.1	NUT M7	4
14	GB/T 5789	BOLT, FLANGE M6×95	2
16	150H.07.210	PLUG, SPARK (CPR8EA-9)	1



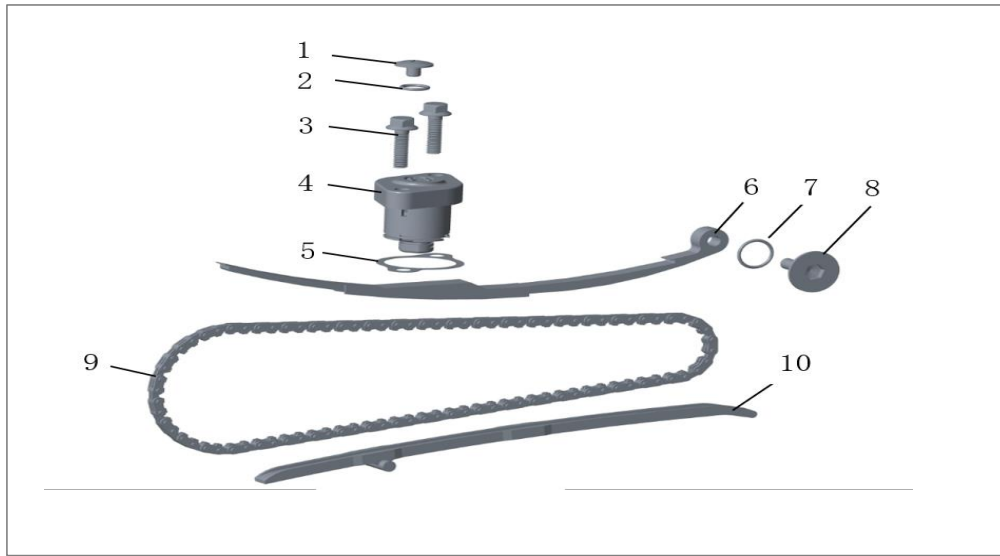
E03 COVER CYLINDER HEAD

ITEM NO.	PARTS NUMBER	PARTS NAME(EN)	QTY
1	150H-E.04.310	CYLINDER EPICRANIUM COMPONENTS	1
2	150H.12.158	TUBE BREATHER	1
3	QC/T 621	CLIP TUBE 12	2
4	GB/T 845	SCREW ST3.8×8	3
5	150-B.11.105	PLATE COVER	1
6	150H-E.04.311	COVER, CYLINDER HEAD	1
7	15-B.04.312	MOUTH VENTILATION	1
8	150H.12.431	OIL SEAL $\varnothing 12 \times \varnothing 22 \times 5$	2
9	150-B.11.322	BOLT M6	2
10	150H.12.101	CASKET HEAD COVER	1



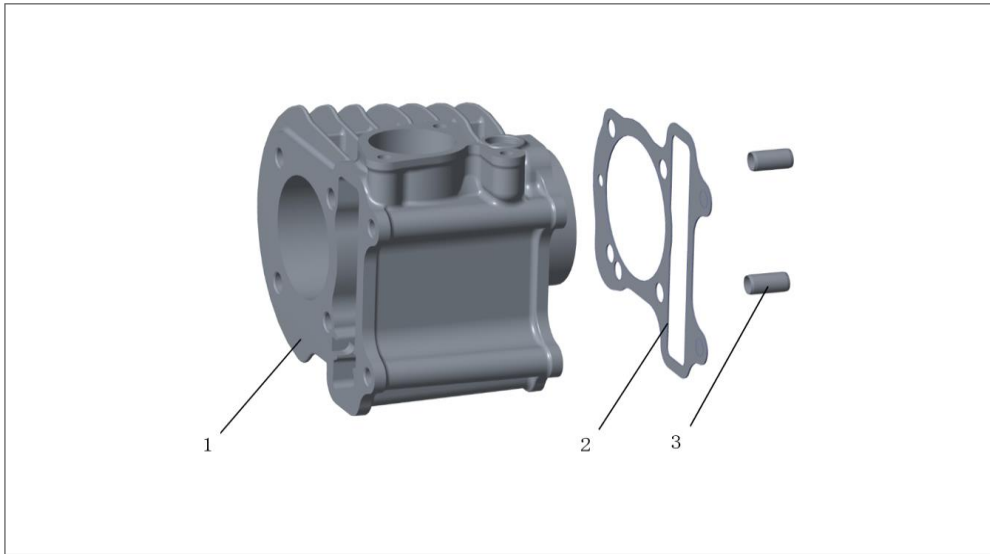
E04 CAMSHAFT VALVE

ITEM NO.	PARTS NUMBER	PARTS NAME(EN)	QTY
1	152.02.307	COTTER, VALVE	4
2	152-2A.02.315	RETAINER, VALVE SPRING	2
3	150H.02.316	SPRING, VALVE INNER	2
4	152.12.401	SEAL, VALVE STEM	2
5	150H.02.316	SEAT VAVE SPRING OUTER	2
6	150H.02.311	VALVE, INTAKE	1
7	150-B.02.213	SPROCKET, CAM CHAIN	1
8	150H.11.316	BOLT, FLANGE M5×12	1
9	150H.02.312	VALVE, EXHAUST	1
10	150H.02.210	CAMSHAFT ASSEMBLY	1
11	150H.02.130	EXHAUST ARM, VALVE ROCKER	1
12	150H.02.113	SHAFT, ROCKER	1
13	150H.02.112	SHAFT, ROCKER	1
14	150H.02.120	INTAKE ARM, VALVE ROCKER	1



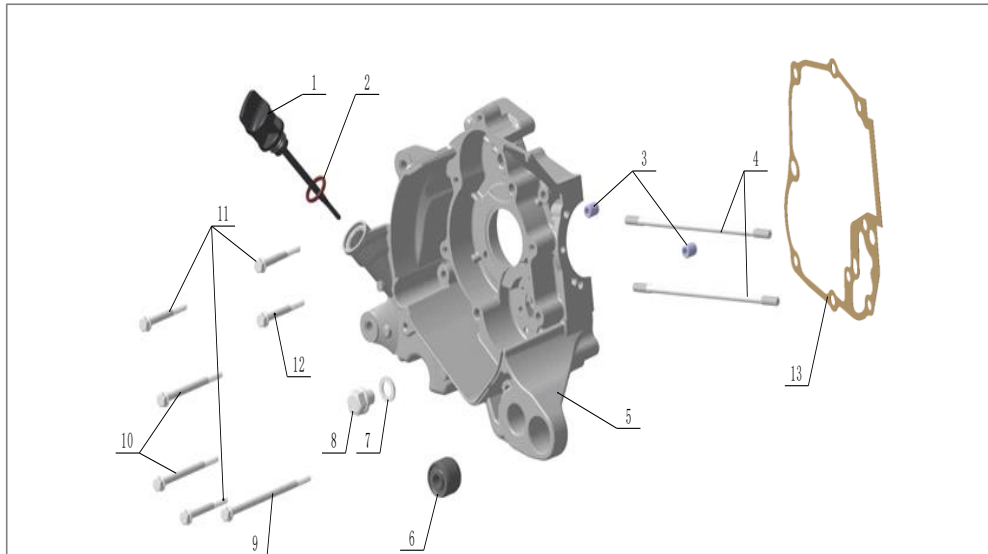
E05 CHAIN, TENSIONER

ITEM NO.	PARTS NUMBER	PARTS NAME(EN)	QTY
1	152.11.301	BOLT M6×6	1
2	152.12.519	O-RING 9.5×1.5	1
3	GB/T 5789	BOLT, FLANGE M6×22	2
4	150H.02.410	TENSIONER ASSY, CAM CHAIN	1
5	150H.12.306	GASKET, TENSIONER CASE	1
6	150H.02.610	GUIDE, STOPPER 2	1
7	152.12.515	O-RING 15.2×1.5	1
8	152.11.103	BOLT	1
9	152.02.500	CHAIN	1
10	150H.02.710	GUIDE, STOPPER 1	1



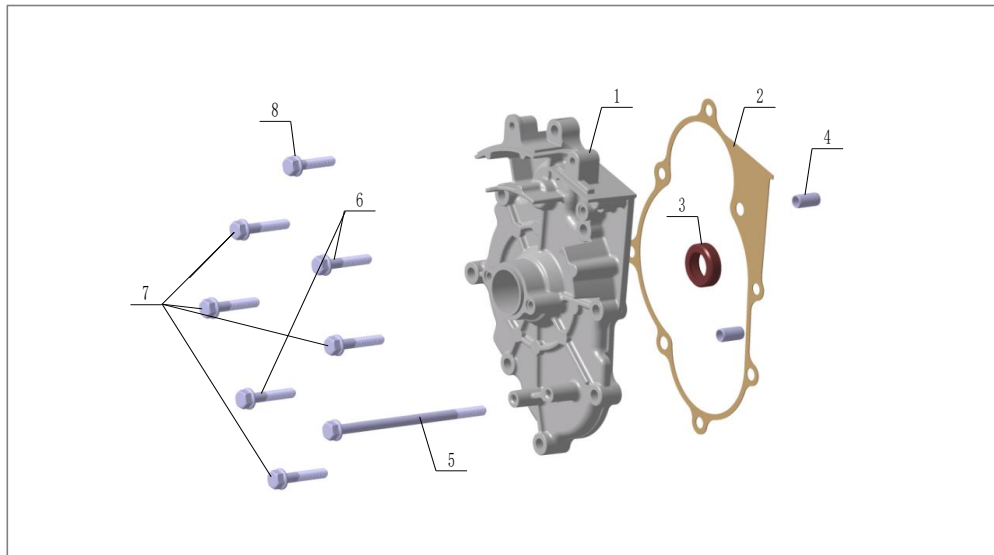
E06 CYLINDER

ITEM NO.	PARTS NUMBER	PARTS NAME(EN)	QTY
1	150H.04.110	GASKET, CYLINDER	1
2	150H.12.304	CYLINDER BLOCK PAPER PAD	1
3	139.11.507	PIN, DOWEL $\varnothing 8 \times \varnothing 7.1 \times 14$	2



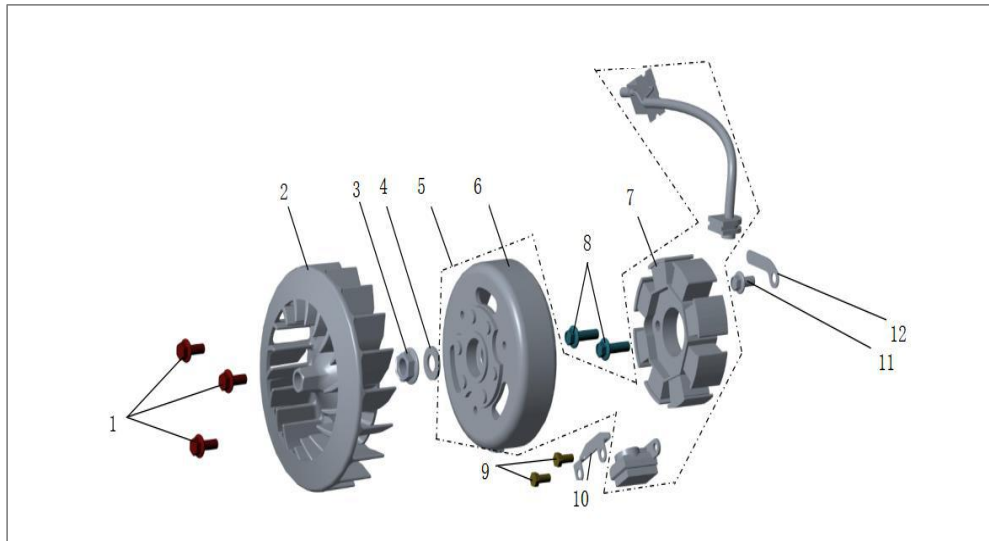
E07 RIGHT CRANKCASE

ITEM NO.	PARTS NUMBER	PARTS NAME(EN)	QTY
1	150H.09.415	OIL RULE	1
2	152.12.518	O-RING 18×3	1
3	150H.11.507	PIN, DOWEL $\varnothing 10 \times \varnothing 6.3 \times 12$	2
4	150H.11.211	BOLT, STUD M7×193.5	2
5	150H-E.03.211	RIGHT CRANKCASE	1
6	152.12.104	THE FRONT SHOCK-ABSORBING SLEEVE	1
7	150H.11.852	WASHER, PLATE $\varnothing 12 \times \varnothing 20 \times 2$	1
8	152.11.306	BOLT, FLANGE M12×1.5-15	1
9	GB/T 5789	BOLT, FLANGE M6×115	1
10	GB/T 5789	BOLT, FLANGE M6×80	2
11	GB/T 5789	BOLT, FLANGE M6×55	3
12	GB/T 5789	BOLT, FLANGE M6×45	2
13	150H-E.12.303	CRANKCASE COVER PAD	1



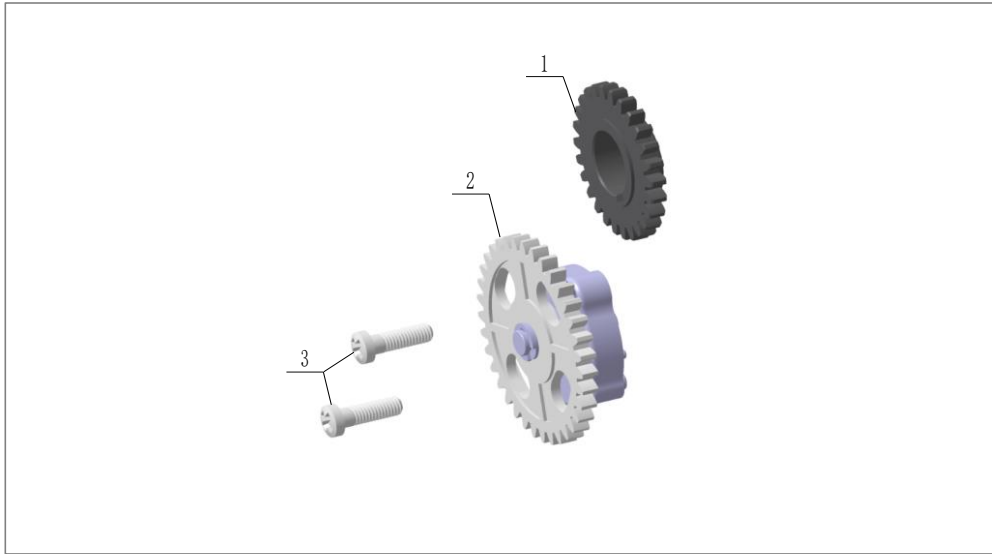
E08 RIGHT CRANKCASE COVER

ITEM NO.	PARTS NUMBER	PARTS NAME(EN)	QTY
1	150H-D.03.411	RIGHT CRANKCASE COVER	1
2	150H-D.12.308	RIGHT CRANKCASE COVER PAD	1
3	150-B.12.425	OIL SEAL 16×26×7	1
4	152.11.506	PIN, DOWEL Ø8×Ø6.5×14	2
5	GB/T 5789	BOLT, FLANGE M6×100	1
6	GB/T 5789	BOLT, FLANGE M6×35	2
7	GB/T 5789	BOLT, FLANGE M6×30	4
8	GB/T 5789	BOLT, FLANGE M6×25	1



E09 GENERATOR

ITEM NO.	PARTS NUMBER	PARTS NAME(EN)	QTY
1	GB/T 5789-M6×16	BOLT, FLANGE M6×16	3
2	152H-2.05.110	FAN	1
3	GB/T 6177.2-M12×1.25	NUT M12×1.25	1
4	152-8.11.602	WASHER, PLATE $\varnothing 12.3 \times \varnothing 24 \times 2.3$	1
5	152H-2.07.110	GENERATOR ASSY	1
6	152H-2.07.120	ROTOR ASSY	1
7	152H-2.07.140	STATOR ASSY	1
8	GB/T 70.1-M6×25	SCREW M6×25	3
9	GB/T 16674.1-M5×14	BOLT M5×14	2
10	150H-2.11.323	SCREW M6×18	1
11	GB/T 70.1-M6×14	SCREW M6×14	2
12	152H-2.11.117	MAGNETO COIL PLATE	1



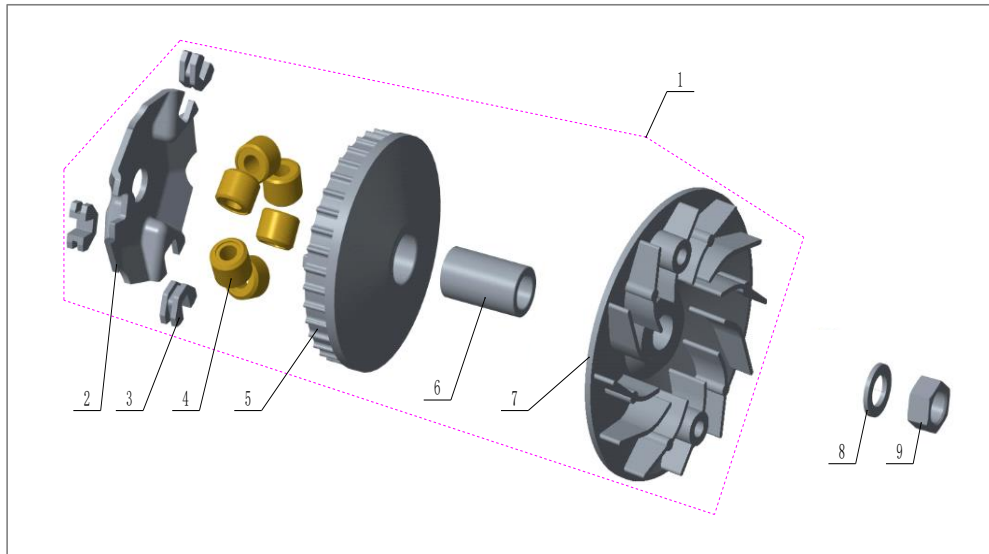
E10 OIL PUMP

ITEM NO.	PARTS NUMBER	PARTS NAME(EN)	QTY
1	150H-D.09.230	OIL PUMP GEAR	1
2	139.3.09.110	OIL PUMP ASSY	1
3	GB/T 823	BOLT M6×20	2



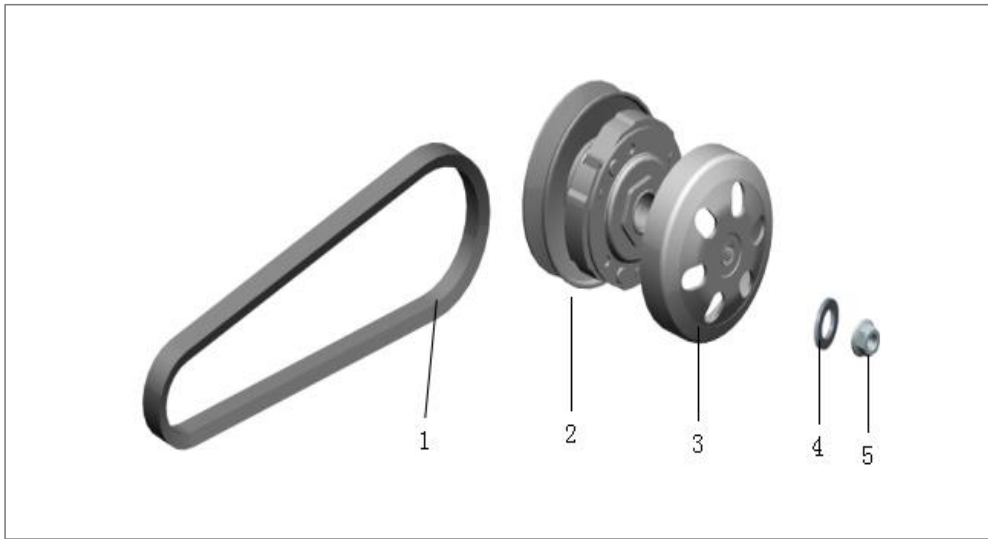
E12 LEFT CRANKEASE COVER

ITEM NO.	PARTS NUMBER	PARTS NAME(EN)	QTY
1	152.11.506	PIN, DOWEL $\varnothing 8 \times \varnothing 6.5 \times 14$	2
2	150H-D.12.302	GASKET, CRANKCASE COVER	1
3	150H-E.03.311	COVER, CRANKCASE (this isn't the flora engine cover)	1
4	150H-2.12.112	SEWAGE NOZZLE RUBBER SLEEVE	1
5	150H.11.109	BRAKE CLAMP	1
6	GB/T 5789	BOLT, FLANGE M6x28	9
7	150-B.11.115	GEAR SUPPORT FIXATION	1
8	150-B.12.115	GEAR SUPPORT RUBBER	1



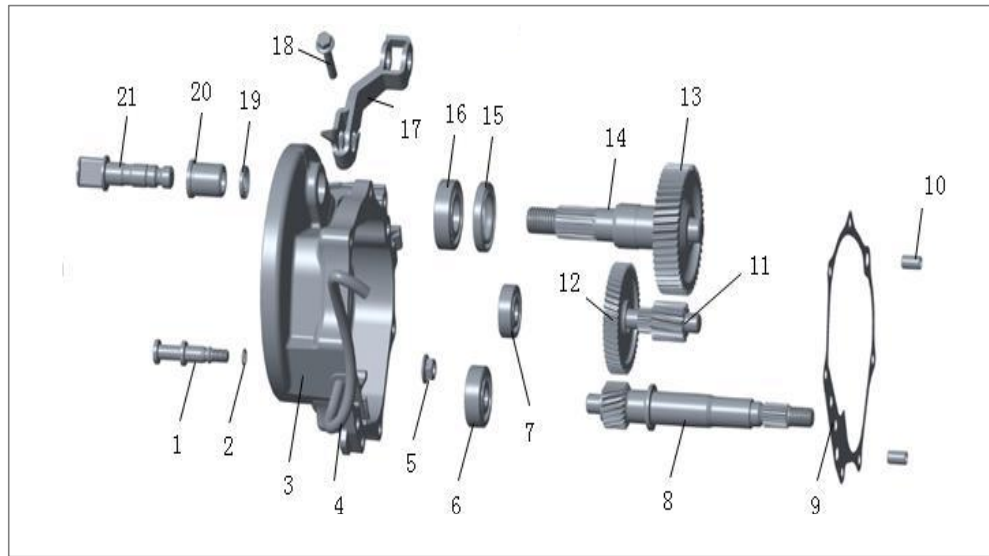
E13 DRIVE PULLEY

ITEM NO.	PARTS NUMBER	PARTS NAME(EN)	QTY
1	150H-D.10.110	THE DRIVING WHEEL ASSEMBLY	1
2	150H.10.114	CAM	1
3	150H.10.116	SLIDER	3
4	150H.10.113	pulley ball	6
5	150H.10.112	PRIMARY SLIDING SHEAVE COMP.	1
6	150H.10.115	COLLAR	1
7	150H-D.10.111	SHEAVE, PRIMARY FIXED	1
8	157F.11.501	WASHER, PLATE $\varnothing 15 \times \varnothing 29 \times 7$	2
9	150H.11.304	NUT M14x1.5	1



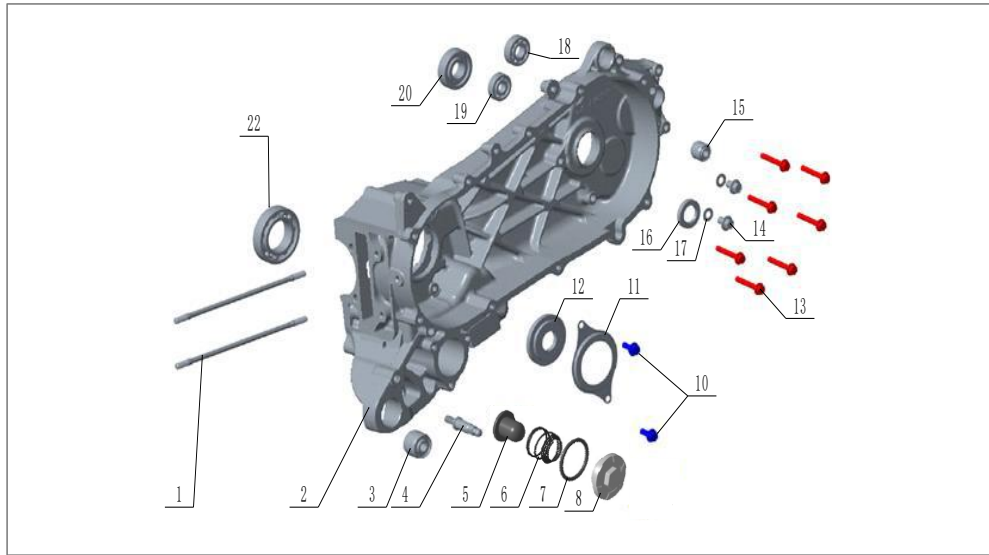
E14 DRIVEN PULLEY

ITEM NO.	PARTS NUMBER	PARTS NAME(EN)	QTY
1	150-B.10.310	V-BELT	1
2	150H.10.210	CLUTCH AND DRIVEN COMPONENT	1
3	150H.10.210	CLUTCH HOUSING COMP.	1
4	150H.11.824	WASHER, PLATE $\varnothing 12.2 \times \varnothing 29 \times 2.5$	1
5	GB/T 6177.2	NUT M12 \times 1.25	1



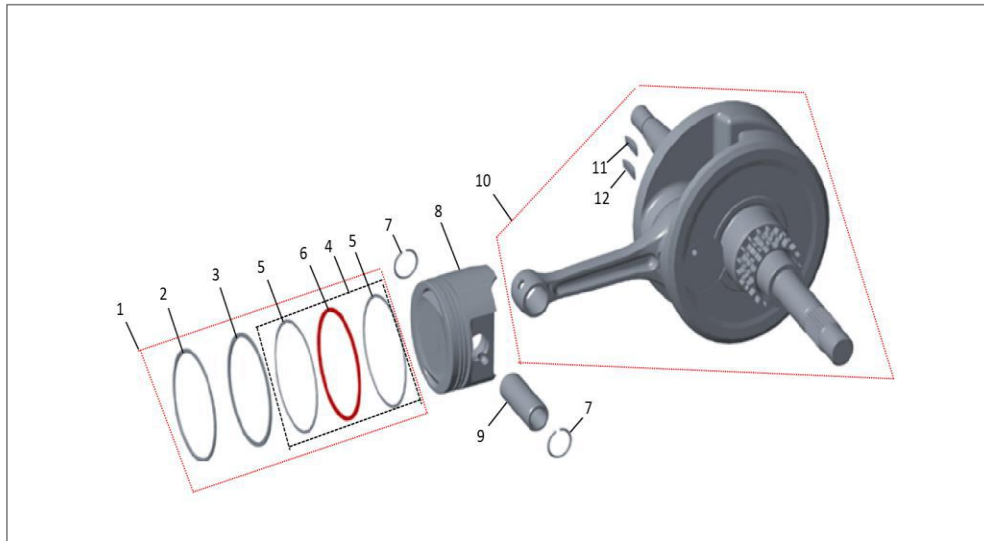
E15 TRANSMISSION

ITEM NO.	PARTS NUMBER	PARTS NAME(EN)	QTY
1	152-8.11.102	PIN, PIVOT	1
2	152.12.504	O-RING 7.5×1.5	1
3	150H.03.501	GEAR COVER	1
4	150H.12.159	HOSE	1
5	GB/T 6177.1	NUT M8	1
6	GB/T 276	BEARINGS 6301	1
7	GB/T 276	BEARINGS 6201	1
8	150H.10.411	GEAR, PRIMARY DRIVE	1
9	150H.12.305	GASKET,GEAR COVER	1
10	152.11.506	PIN, DOWEL $\varnothing 8 \times \varnothing 6.5 \times 14$	2
11	150-B.10.421	VICE-AXIS SET OF SMALL GEAR	1
12	150-B.10.422	VICE-AXIS SET OF LARGE GEAR	1
13	150-B.10.480	THE OUTPUT SHAFT GEAR	1
14	150-B.10.460	AXLE, DRIVE	1
15	150-B.12.426	OIL SEAL 27×42×7	1
16	GB/T 276	BEARINGS 6004-2RS	1
17	150H.10.917	LEVER, CAMSHAFT	1
18	GB/T 5789	BOLT, FLANGE M6×32	1
19	152-8.12.106	OIL SEAL 14×20×3.2	1
20	150H.11.124	COLLAR, WHEEL	1
21	150H.10.915	BRAKE ROCKER SHAFT	1



E16 CRANKSHAFT,PISTON COMP

ITEM NO.	PARTS NUMBER	PARTS NAME(EN)	QTY
1	150H.11.212	BOLT, STUD M7×198.5	2
2	150H-E.03.111	LEFT CRANKCASE	1
3	152.12.104	BUSH, REAR SHOCK ABSORBER	1
4	150-B.03.613	GREAT SUPPORT EXTENSION SPRING FIXED AXIS	1
5	152.09.413	STRAINER, OIL	1
6	152.09.412	SPRING, COMPRESSION	1
7	152.12.521	O-RING 30.8×3.2	1
8	150H-D.09.411	PLUG, DRAIN	1
10	GB/T 5789	BOLT, FLANGE M6×16	2
11	150-B.11.137	OIL SEAL PLATE	1
12	150-B.12.427	OIL SEAL 20.8×53×6-9	1
13	GB/T 5789	BOLT, FLANGE M6×40	7
14	GB/T5789	BOLT, FLANGE M8×12	2
17	139.11.810	WASHER, PLATE $\varnothing 8 \times \varnothing 16 \times 1.5$	2
16	152.12.102	OIL SEAL 20×32×6	1
15	152.12.105	BUSH, REAR SHOCK ABSORBER	1
18	GB/T 276	BEARINGS 6202	1
19	GB/T 276	BEARINGS 6201	1
20	GB/T 276	BEARINGS 6204/C3	1
22	150H.03.120	BEARINGS 6007/P53	1



E17 CRANKSHAFT,PISTON COMP

ITEM NO.	PARTS NUMBER	PARTS NAME(EN)	QTY
1	150H.01.302	PISTON RING GROUP	1
2	150H.01.321	THE FIRST PISTON RING	1
3	150H.01.322	THE SECOND PISTON RING	1
4	150H.01.323	OIL RING COMPONENTS	1
5	150H.01.324	DOCTOR BLADE RING	2
6	150H.01.325	LINING RING	1
7	139.01.313	CIRCLIP	2
8	150H.01.311	PISTON	1
9	150H.01.312	PIN, PISTON	1
10	150H-D.01.110	CRANKSHAFT ASSY	1
11	150H.01.120	HALFKEY 4×2.5×Ø25	1
12	152.11.101	HALFKEY 4×4×Ø25	1